

## Base strip - MSTBV 2,5/16-GEH-5,08 - 1808609

Please be informed that the data shown in this PDF Document is generated from our Online Catalog. Please find the complete data in the user's documentation. Our General Terms of Use for Downloads are valid (<http://phoenixcontact.com/download>)

Header, Nominal current: 12 A, Rated voltage (III/2): 320 V, Number of positions: 16, Pitch: 5.08 mm, Color: green, Contact surface: Tin, Assembly: Soldering



The figure shows a 10-position version of the product

### Product Features

- Versions with and without side panel
- Other pin lengths available on request
- Plug-in direction parallel and vertical to the PCB
- Standard pin strip for 320 V (III/2)



### Key commercial data

Packing unit	1 pc
GTIN	 4 017918 047115
Weight per Piece (excluding packing)	7.99 GRM
Custom tariff number	85472000
Country of origin	Germany

### Technical data

#### Dimensions

Length	8.6 mm
Pitch	5.08 mm
Dimension a	76.2 mm
Pin dimensions	1 x 1 mm
Hole diameter	1.4 mm

#### General

## Base strip - MSTBV 2,5/16-GEH-5,08 - 1808609

### Technical data

#### General

Range of articles	MSTBV 2,5/...-GEH
Insulating material group	IIIa
Rated surge voltage (III/3)	4 kV
Rated surge voltage (III/2)	4 kV
Rated surge voltage (II/2)	4 kV
Rated voltage (III/3)	250 V
Rated voltage (III/2)	320 V
Rated voltage (II/2)	400 V
Connection in acc. with standard	EN-VDE
Nominal current $I_N$	12 A
Maximum load current	12 A
Insulating material	PBT
Inflammability class according to UL 94	V0
Color	green
Number of positions	16

### Classifications

#### eCl@ss

eCl@ss 4.0	272607xx
eCl@ss 4.1	27260701
eCl@ss 5.0	27260701
eCl@ss 5.1	27260701
eCl@ss 6.0	27260704
eCl@ss 7.0	27440402
eCl@ss 8.0	27440402

#### ETIM

ETIM 3.0	EC001121
ETIM 4.0	EC002637
ETIM 5.0	EC002637

#### UNSPSC

UNSPSC 6.01	30211810
UNSPSC 7.0901	39121409
UNSPSC 11	39121409
UNSPSC 12.01	39121409
UNSPSC 13.2	39121409

# Base strip - MSTBV 2,5/16-GEH-5,08 - 1808609

## Approvals

### Approvals

---

#### Approvals

CSA / UL Recognized / VDE Gutachten mit Fertigungsüberwachung / cUL Recognized / GOST / IECCEB Scheme / GOST / CSA / CCA / cULus Recognized

---

#### Ex Approvals

---

#### Approvals submitted

---

## Approval details

CSA		
	B	D
Nominal current IN	12 A	10 A
Nominal voltage UN	300 V	300 V

UL Recognized		
	B	D
Nominal current IN	12 A	10 A
Nominal voltage UN	300 V	300 V

VDE Gutachten mit Fertigungsüberwachung	
Nominal current IN	12 A
Nominal voltage UN	250 V

# Base strip - MSTBV 2,5/16-GEH-5,08 - 1808609

## Approvals

cUL Recognized

	B	D
Nominal current IN	12 A	10 A
Nominal voltage UN	300 V	300 V

GOST

IECEE CB Scheme

Nominal current IN	12 A
Nominal voltage UN	250 V

GOST

CSA

	B	D
Nominal current IN	10 A	10 A
Nominal voltage UN	300 V	300 V

CCA

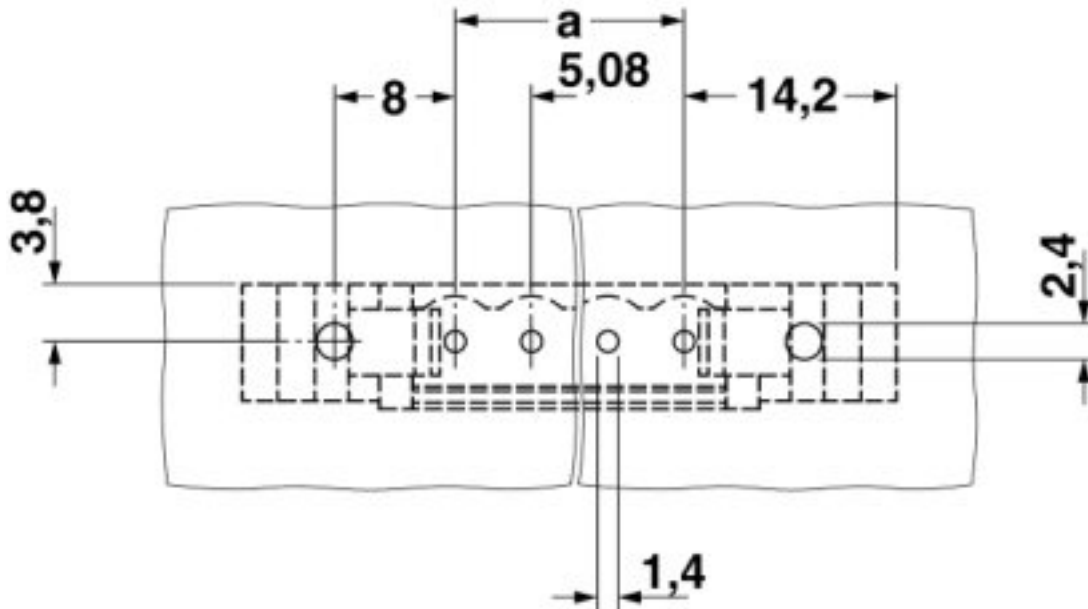
Nominal current IN	12 A
Nominal voltage UN	250 V

cULus Recognized

## Drawings

# Base strip - MSTBV 2,5/16-GEH-5,08 - 1808609

Drilling diagram



Dimensioned drawing

