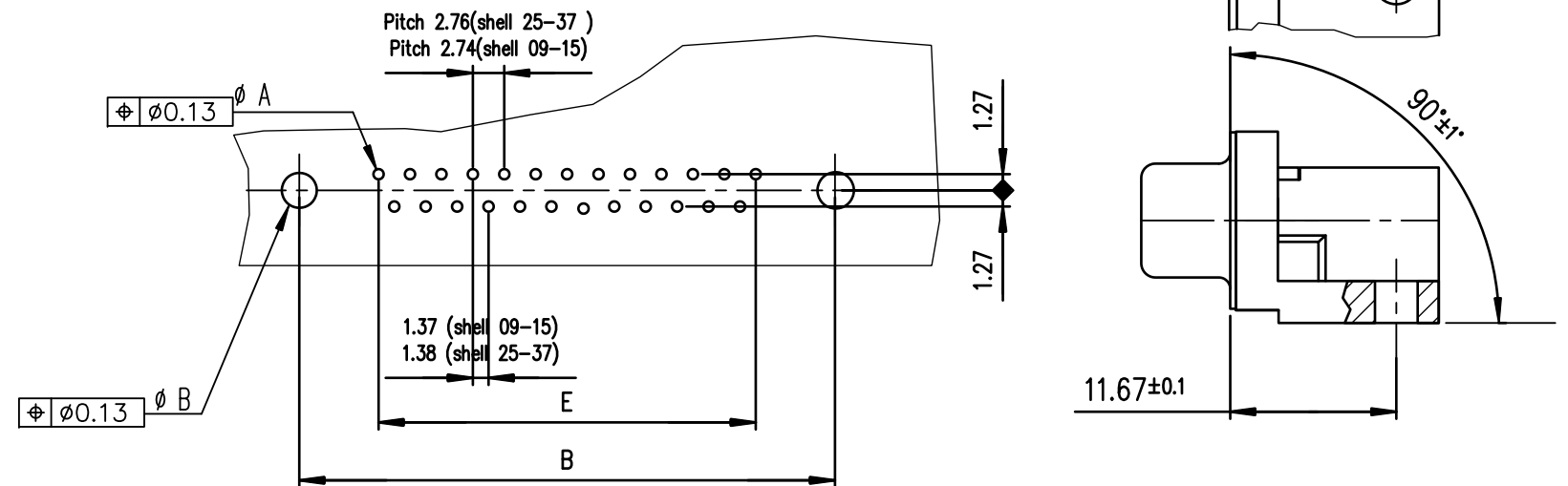


PC card drilling dimensions(after plating)  
(thickness 1.60 ±0.20 )



TIN LEAD PART NUMBER

SHELL	A±0.38	B±0.12	C±0.10	D±0.25	E±0.07	PART NUMBER	PART NUMBER
09	30.81	24.99	18.00	16.21	10.96	--	--
15	39.14	33.32	26.32	24.54	19.18	--	--
25	53.03	47.04	40.04	38.25	33.12	D25S81C4BA00	D25S81C6BA00
37	69.32	63.50	56.50	54.71	49.68	--	--
						200 Mating cycles	500 Mating cycles

LEAD FREE PART NUMBER

SHELL	A±0.38	B±0.12	C±0.10	D±0.25	E±0.07	PART NUMBER	PART NUMBER
09	30.81	24.99	18.00	16.21	10.96	--	--
15	39.14	33.32	26.32	24.54	19.18	--	--
25	53.03	47.04	40.04	38.25	33.12	D25S81C4BA00LF	D25S81C6BA00LF
37	69.32	63.50	56.50	54.71	49.68	--	--
						200 Mating cycles	500 Mating cycles

GENERAL CHARACTERISTICS AND ROHS INFORMATIONS:

SEE DRAWING C01-8646-0001

mat'l. code		surface ISO 1302		tolerance ISO 406 ISO 1101		projection		product family	
-		✓				MM		D-SUB	
ltr		ecn no		dr		date		title	
H		ELX-I-18050		MP		2014/06/23		FEMALE CONNECTOR DELTA-D STD EUROPE RIGHT ANGLED PRESS FIT	
								scale 2:1	
								dwg no	
								sheet 1 of 1	
								size	
								A3	
								type	
								Product Customer Drawing	
sheet index		revision sheet		H					
				1					