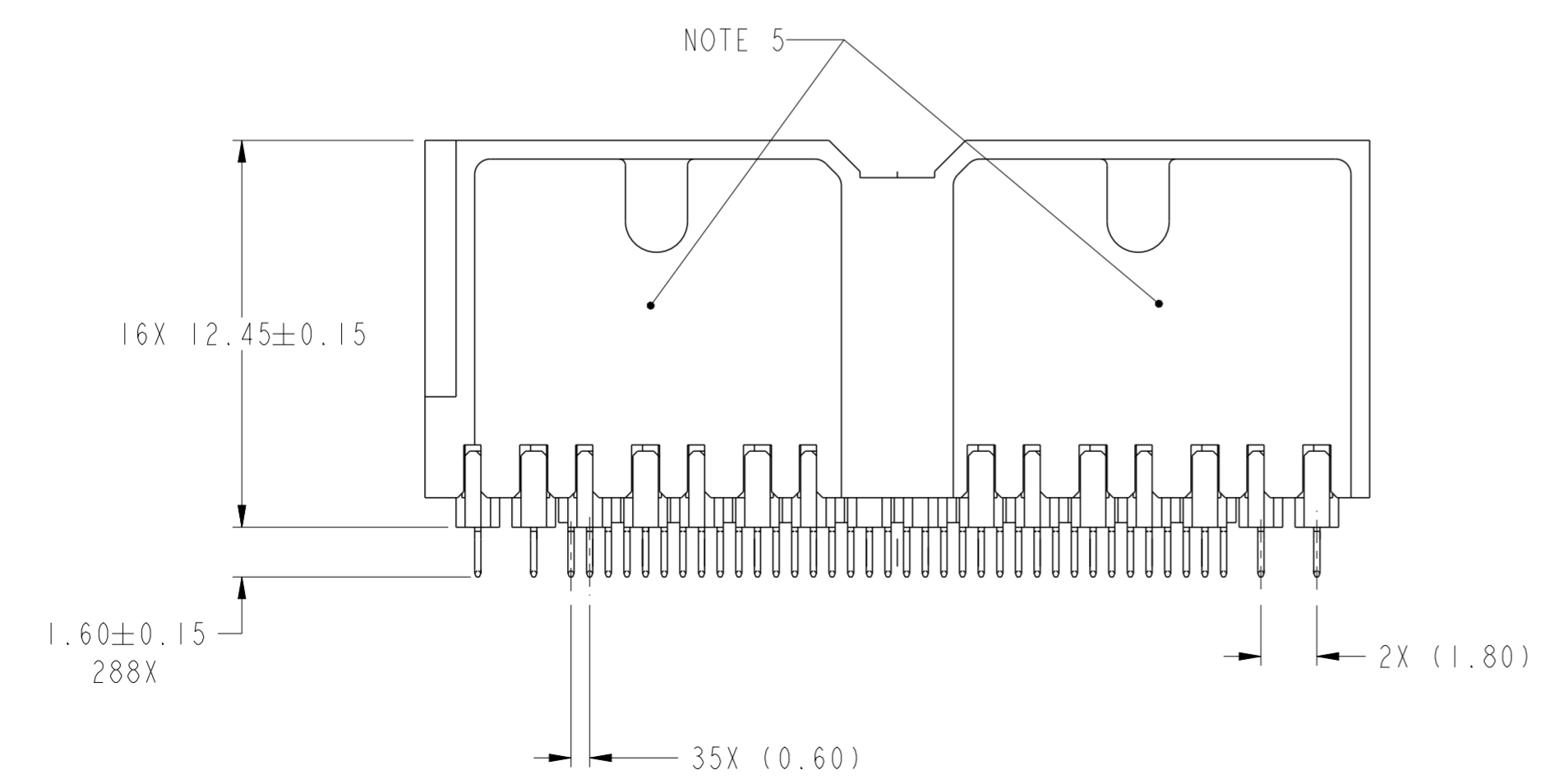
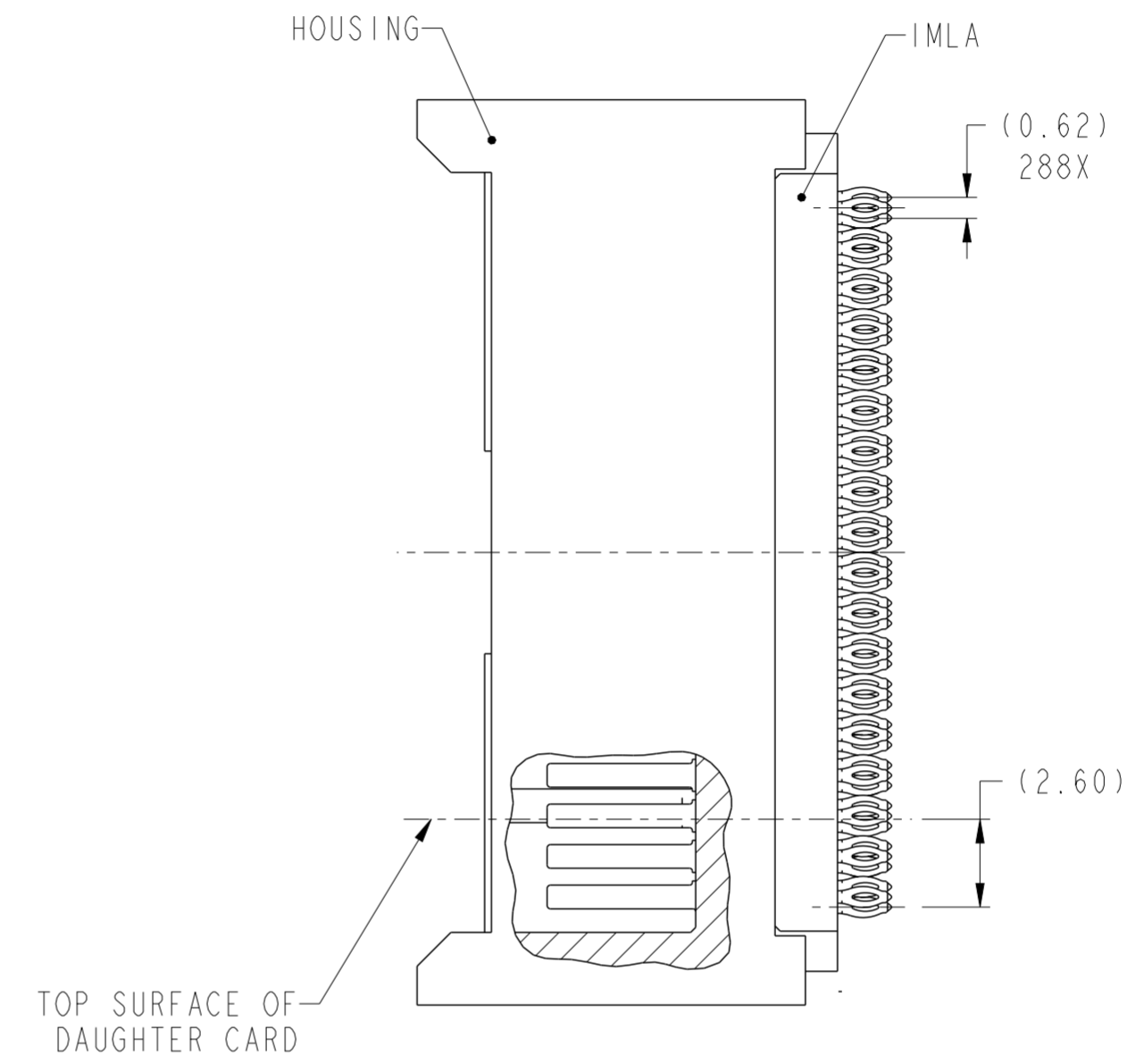
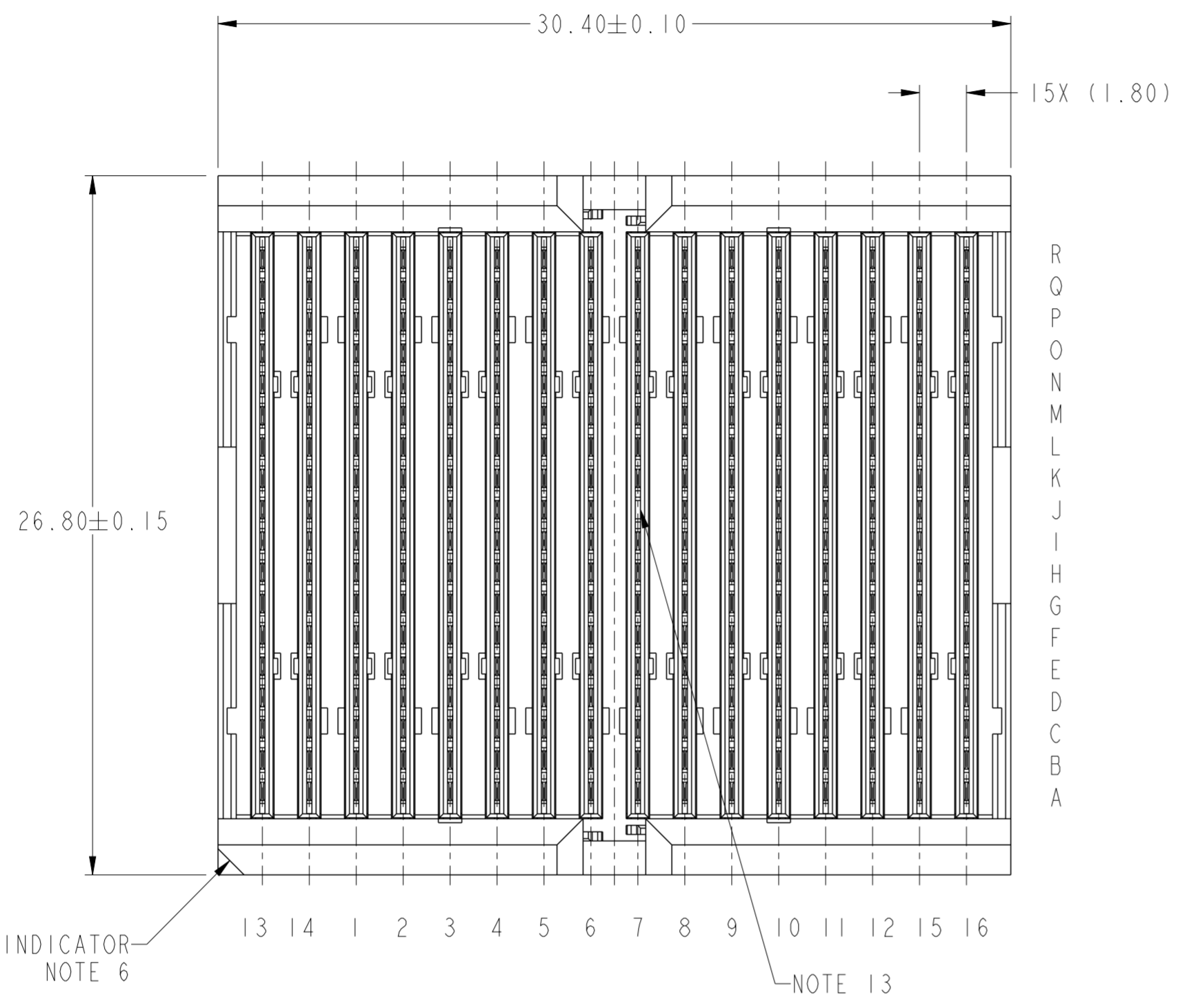
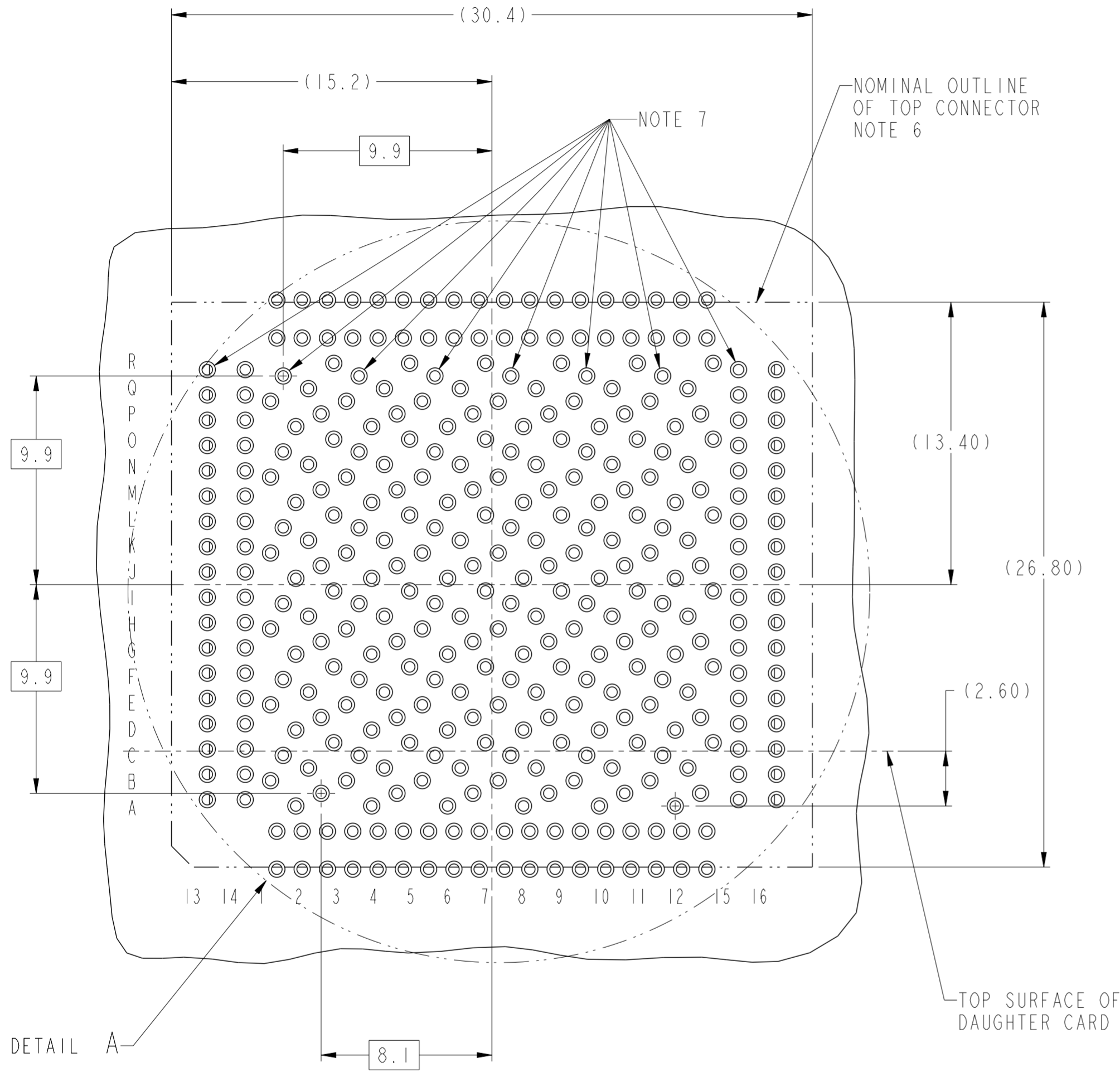


Product number
SEE TABLE, SHT 6

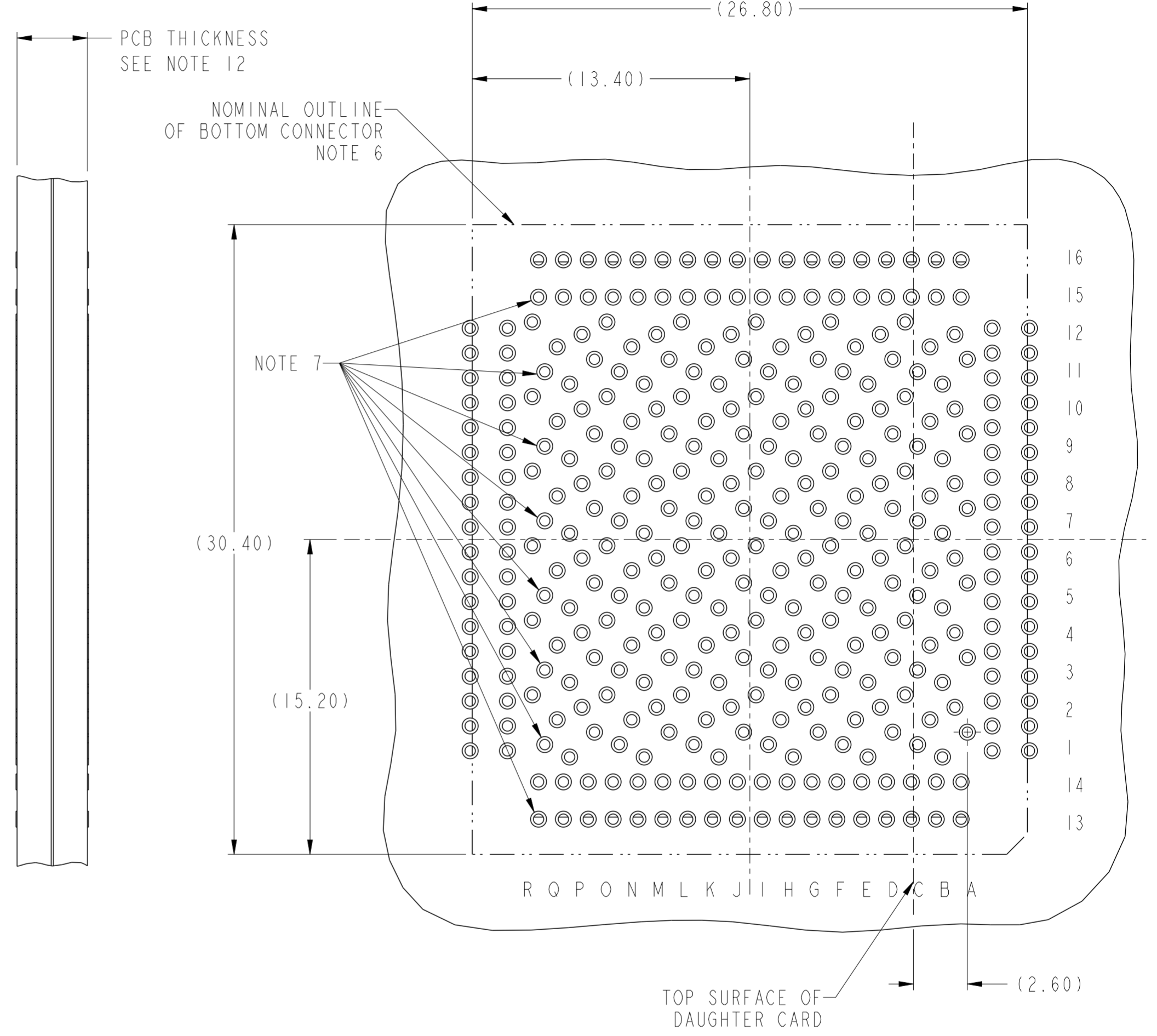


spec ref	dr	Yong-Keat Lim	2009/09/11	projection	MM	size	A2	scale	5:1	
tolerance std	eng	Yong-Keat Lim	2011/06/17			ecn no	-	rel level	Released	
ASME Y14.5	chr	-	product family							ZipLine
	appr	Chen-Hong Tan	2011/06/17			title	ZipLine VERT HDR SPECIAL 6 PR		rev	A
surface	linear	0.X	± 0.3	www.fci.com		cat. no.	-	Product - Customer Drw	sheet 1 of 6	
ASME Y14.5	angular	0°	$\pm 2^\circ$							

Copyright FCI.
FCI



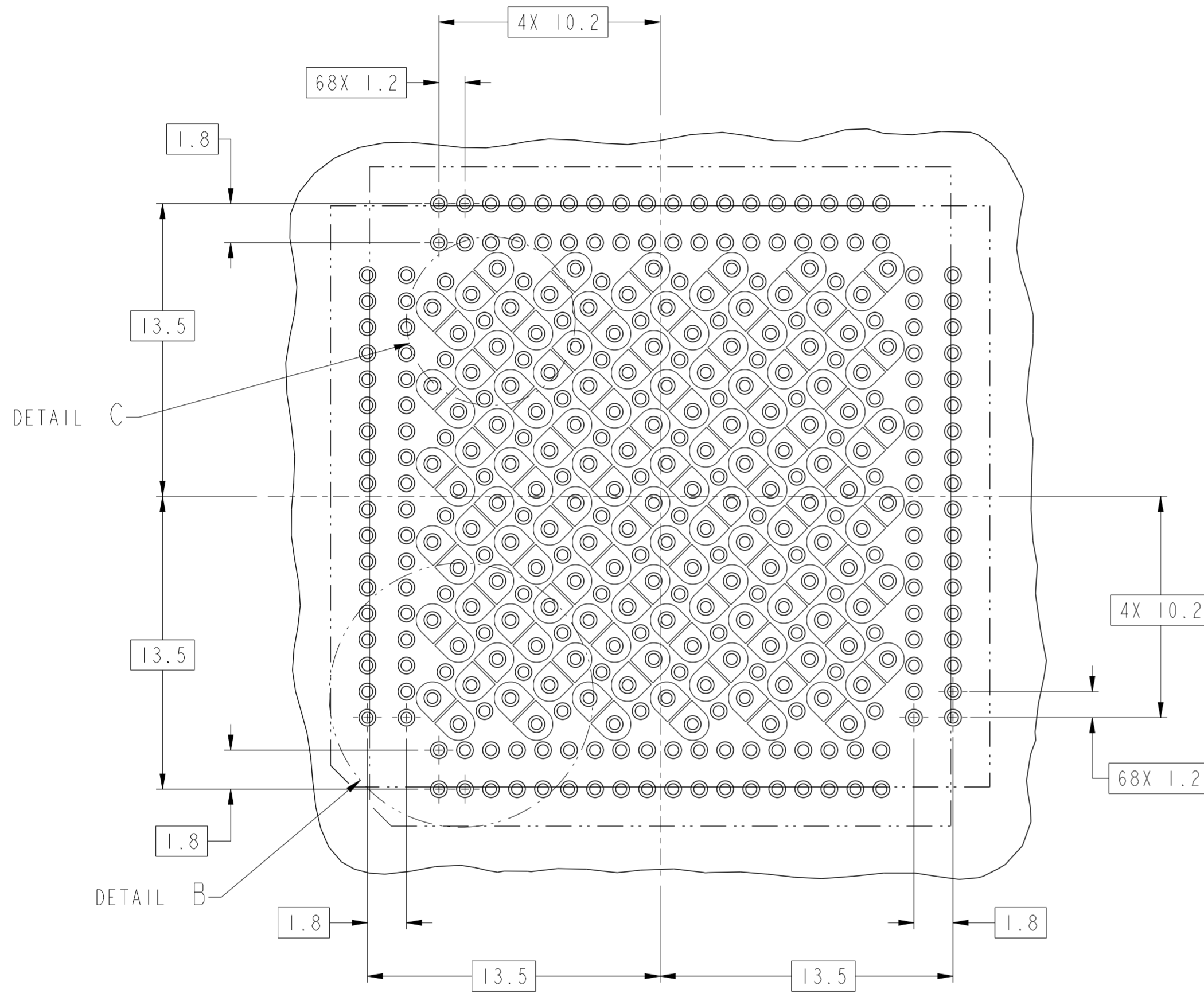
RECOMMENDED PCB LAYOUT
TOP PCB VIEW



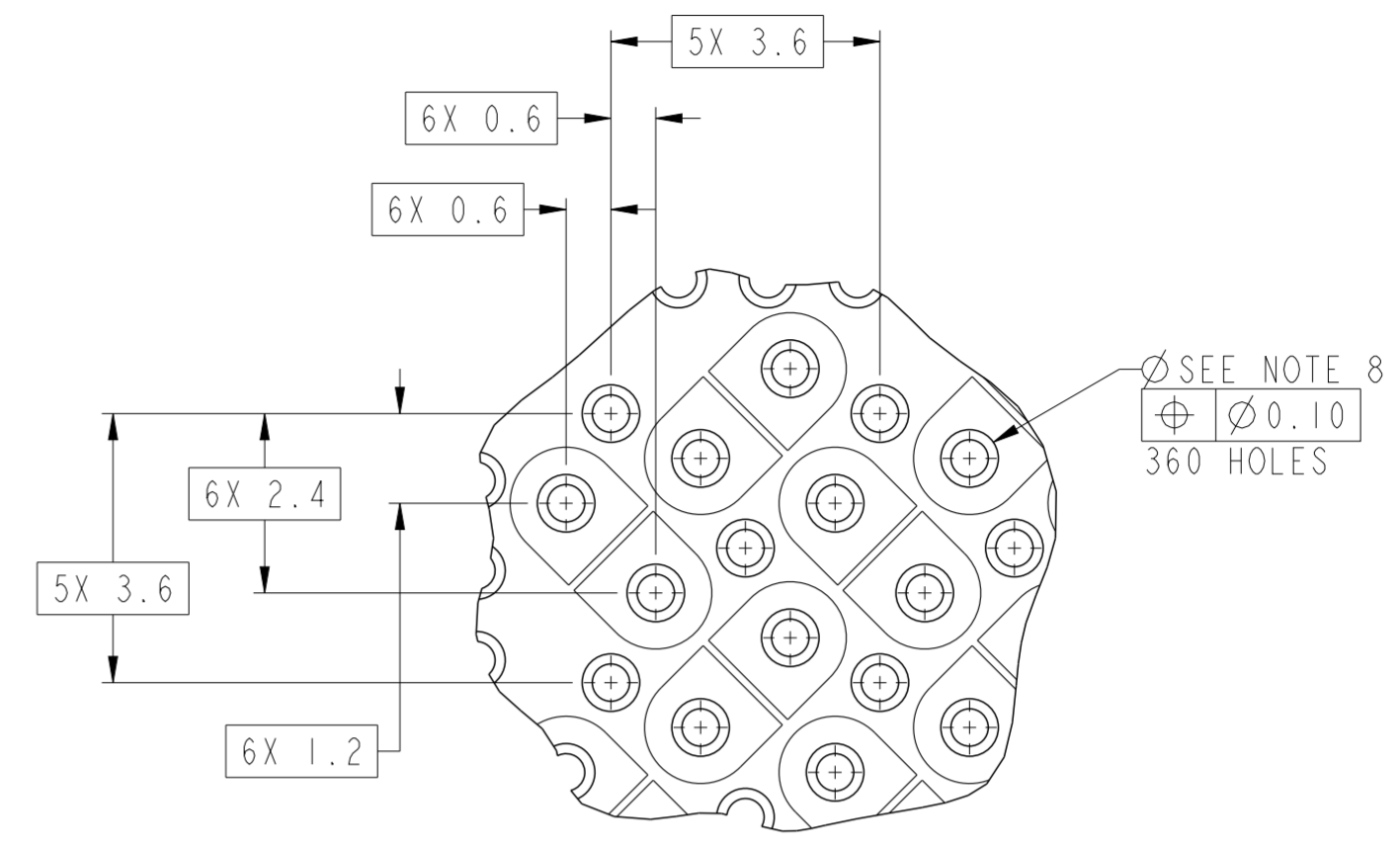
RECOMMENDED PCB LAYOUT
BOTTOM PCB VIEW

RECOMMENDED PCB LAYOUT
WHEN USING 10084174 TOP AND BOTTOM

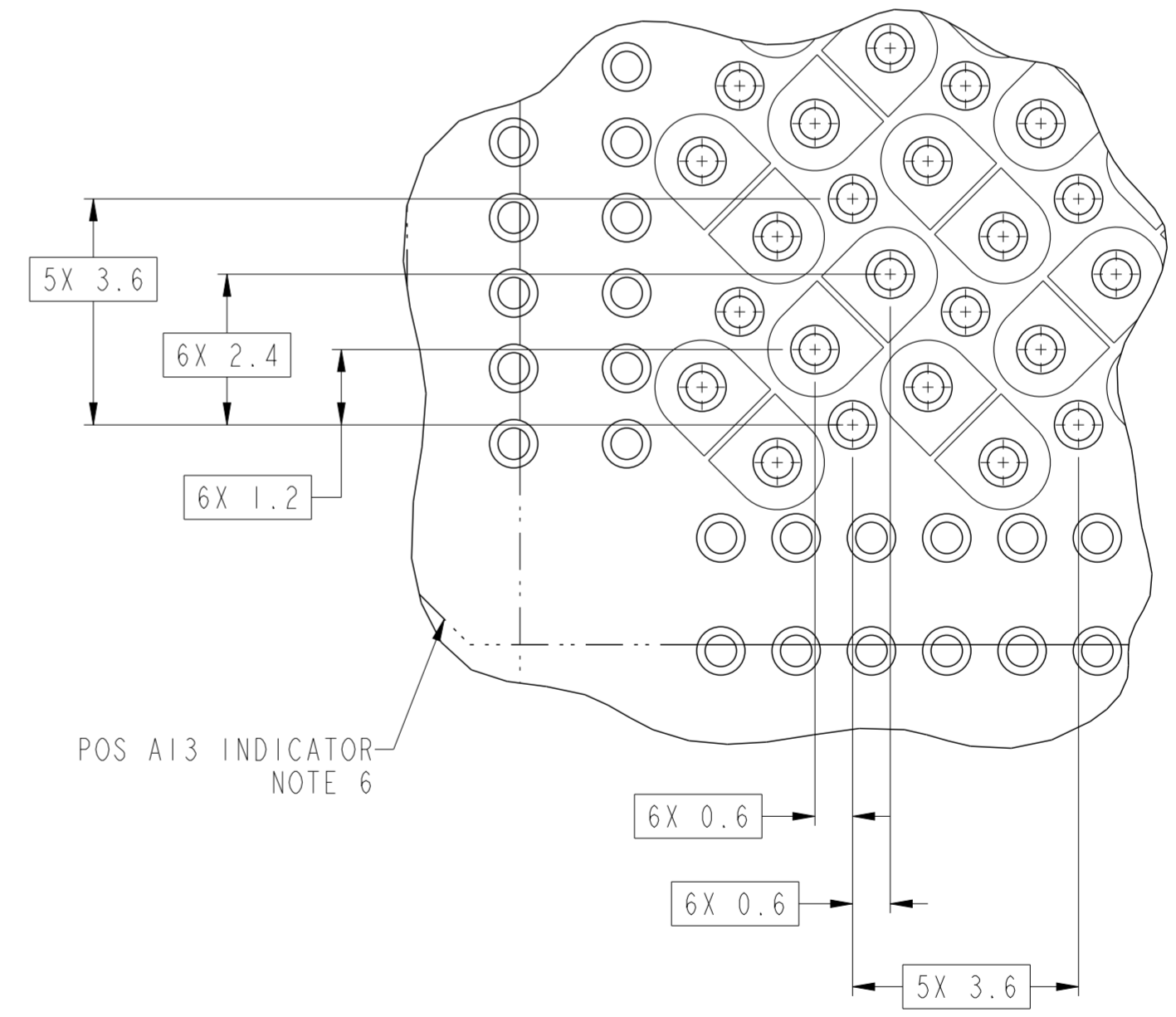
spec ref	dr	Yong-Keat Lim	2009/09/11	projection	MM	size	A2	scale	5:1
tolerance std	eng	Yong-Keat Lim	2011/06/17			ecn no	-	rel level	Released
ASME Y14.5	chr	-	2011/06/17						
	appr	Chen-Hong Tan	2011/06/17	product family	ZipLine	rel level	Released		
surface	linear	0.X	±0.3		title ZipLine VERT HDR SPECIAL 6 PR 16 COLUMN, 2+12+2, 1.8mm PITCH, 30.6mm	sig no 10084174	rev A		
		0.XX	±0.10						
		0.XXX	±0.050						
ASME Y14.5	angular	0°	±2°	www.fci.com	cat. no.	Product - Customer Drw	sheet 2 of 6		



PCB LAYOUT SHOWN WITH DIFFERENTIAL ORTHOGONAL AND SINGLE ENDED NON-ORTHOGONAL PATTERNS
VIEW A



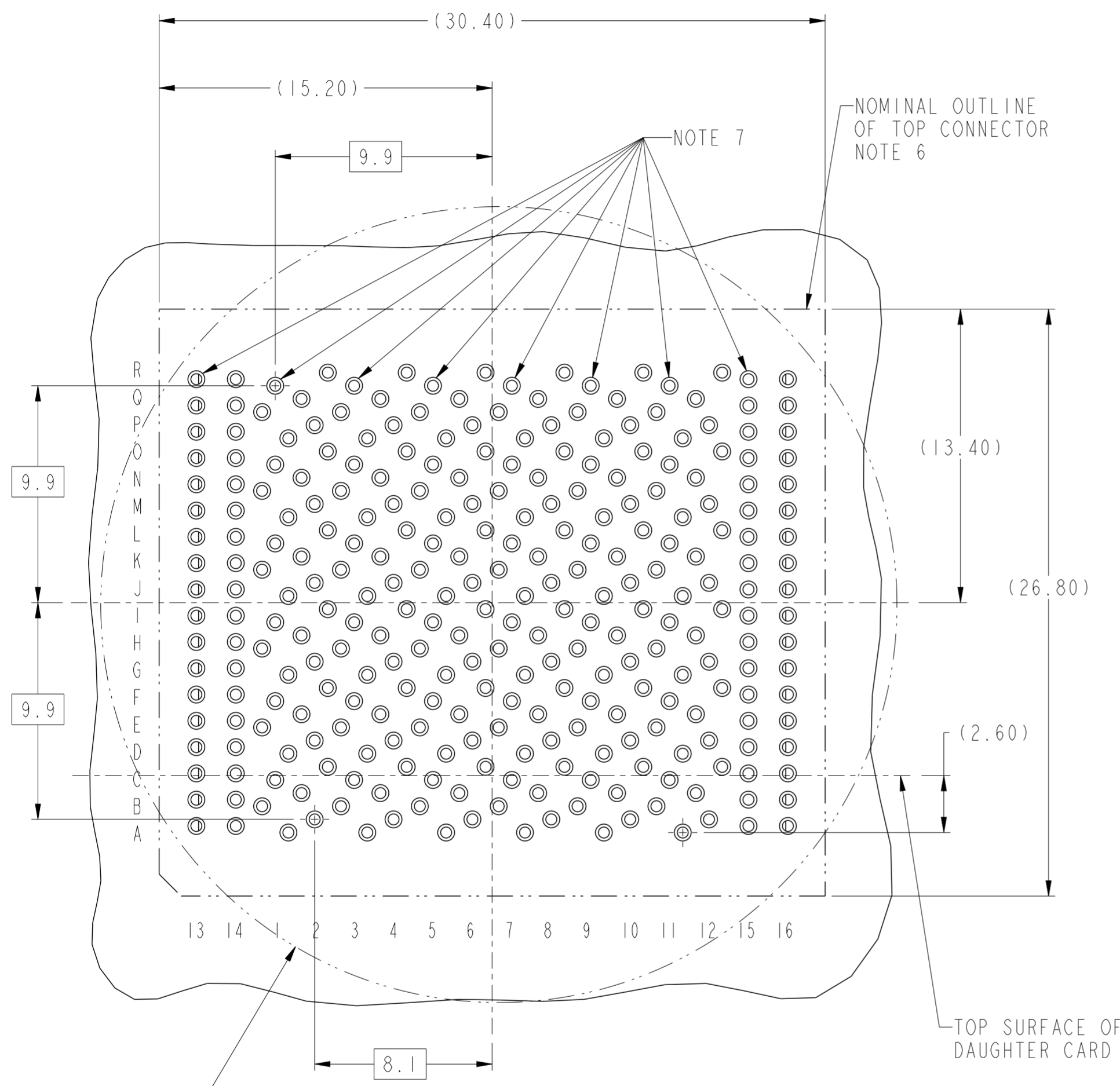
VIEW C
SCALE: 10:1



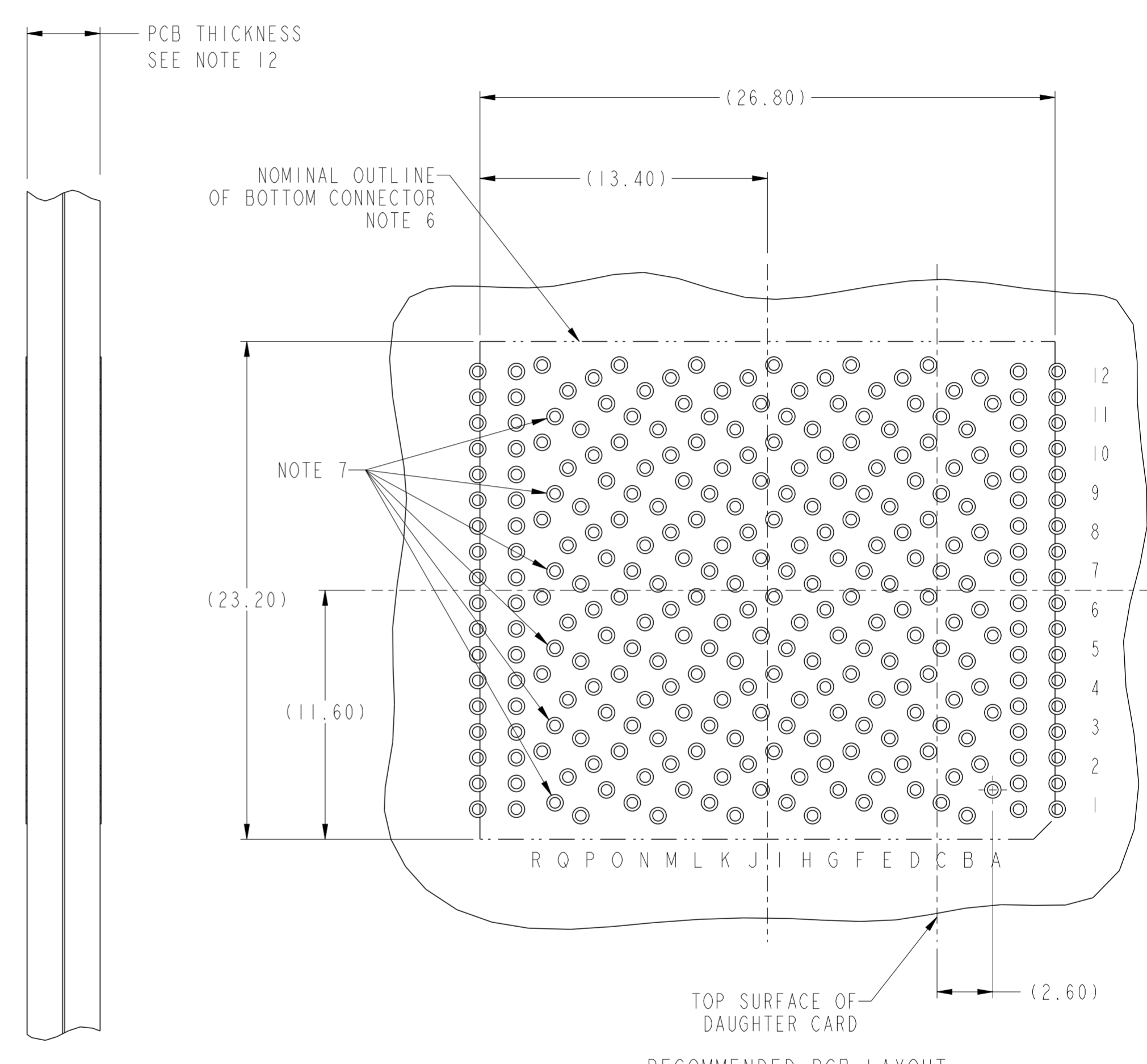
VIEW B
SCALE: 10:1

Copyright FCI
FCI

spec ref	dr	Yong-Keat Lim	2009/09/11	projection	MM	size	A2	scale	5:1
tolerance std	eng	Yong-Keat Lim	2011/06/17			ecn no	-	rel level	Released
ASME Y14.5	chr	-	2011/06/17						
	appr	Chen-Hong Tan	2011/06/17	product family	ZipLine	rel level	Released		
surface	linear	0.X	±0.3		title ZipLine VERT HDR SPECIAL 6 PR 16 COLUMN, 2+12+2, 1.8mm PITCH, 30.6mm	dwg no 10084174	rev A		
		0.XX	±0.10						
		0.XXX	±0.050						
ASME Y14.5	angular	0°	±2°	www.fci.com	cat. no.	Product - Customer Drw	sheet 3 of 6		



RECOMMENDED PCB LAYOUT
TOP PCB VIEW

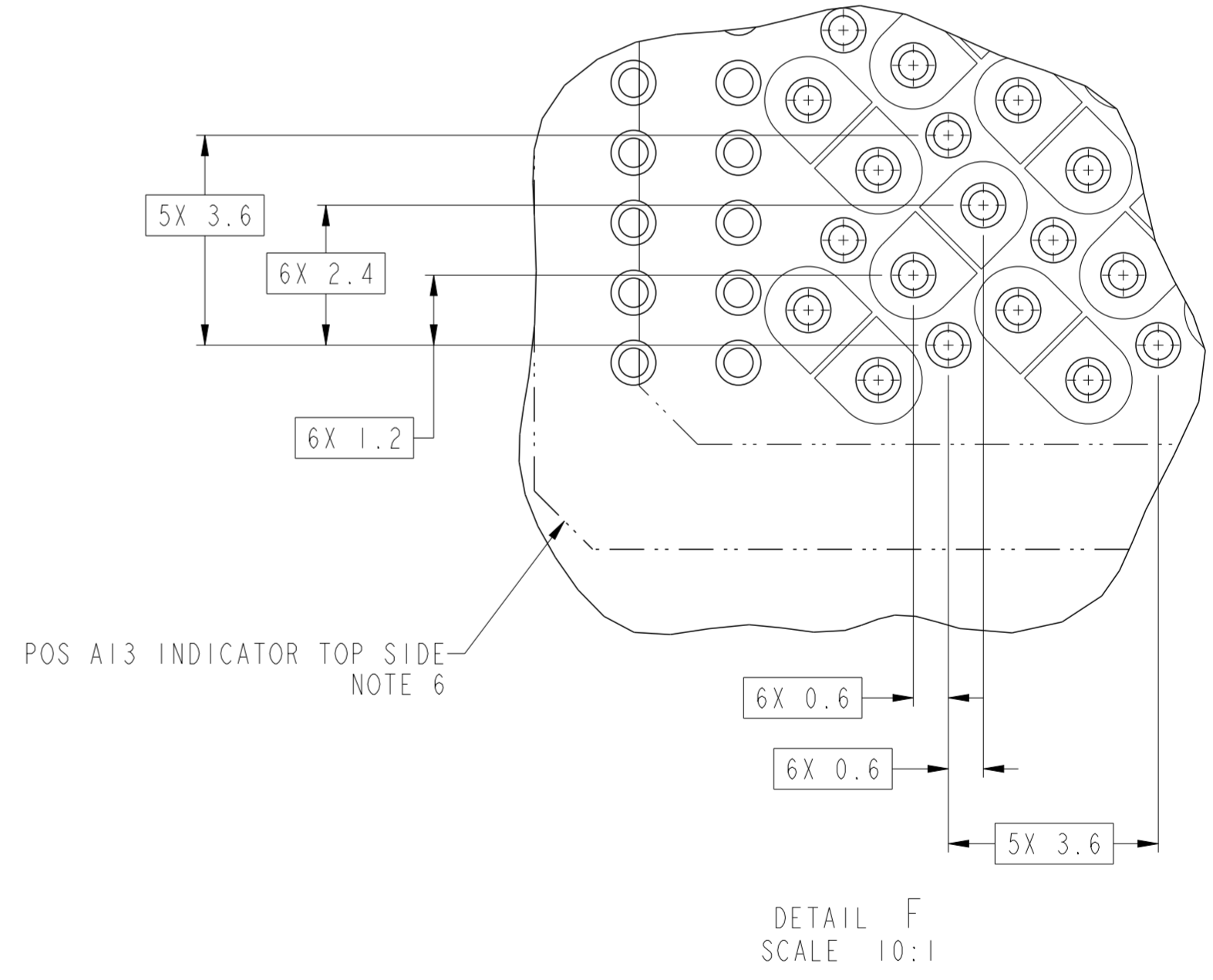
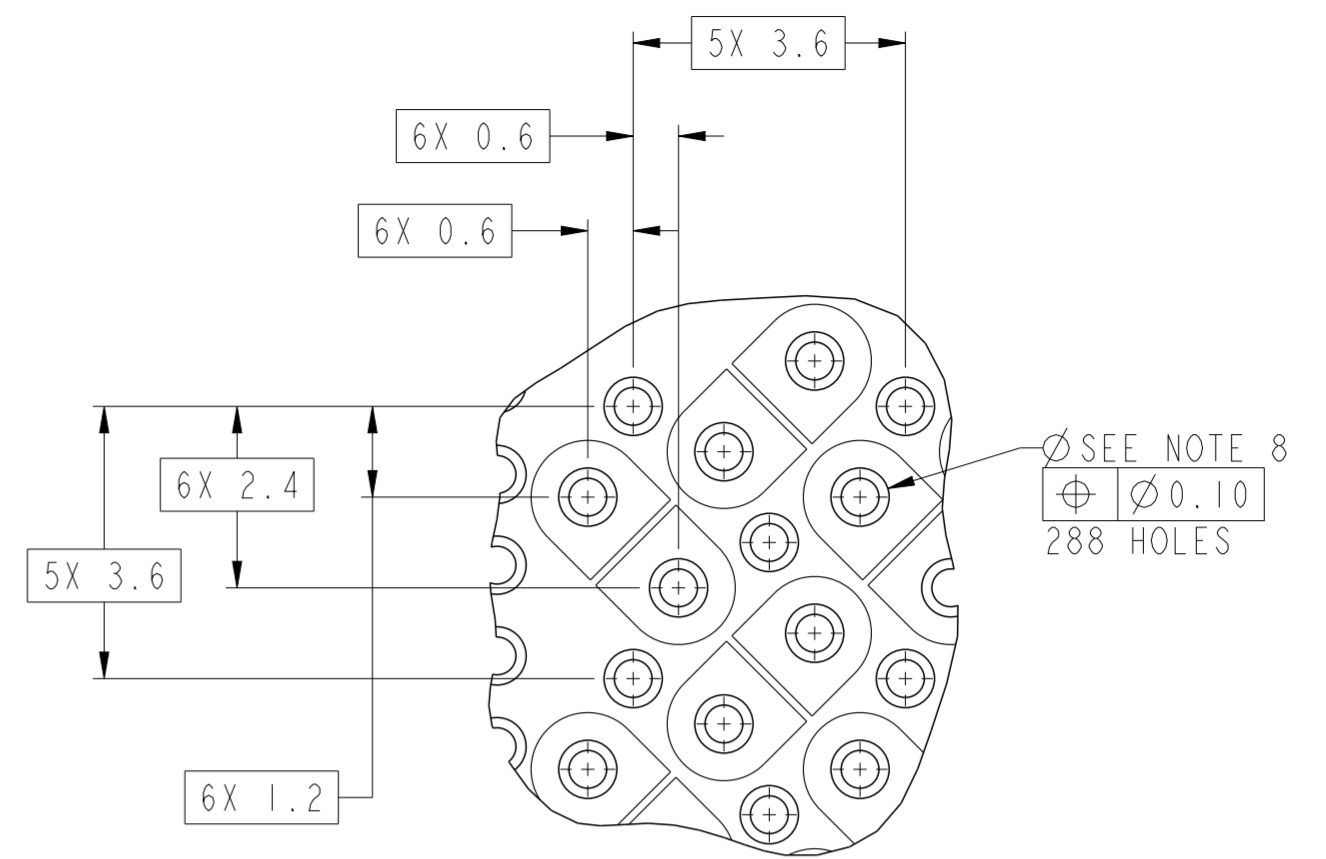
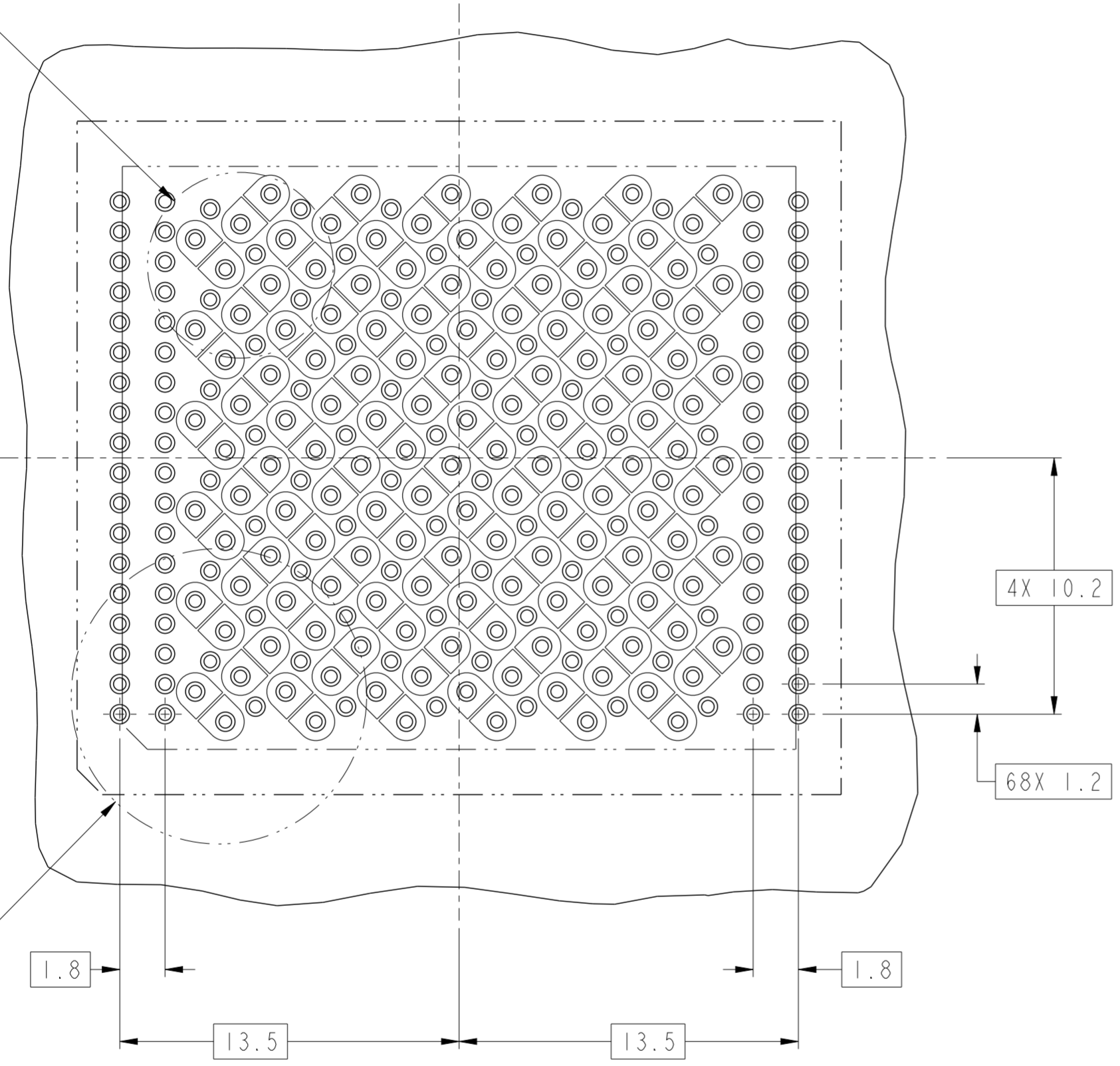


RECOMMENDED PCB LAYOUT
BOTTOM PCB VIEW

RECOMMENDED PCB LAYOUT
WHEN USING 10084174 ON THE TOP
AND 10080640 ON THE BOTTOM

spec ref	dr	Yong-Keat Lim	2009/09/11	projection	MM	size	A2	scale	5:1
tolerance std	eng	Yong-Keat Lim	2011/06/17			ecn no	-	rel level	Released
ASME Y14.5	chr	-	2011/06/17						
	appr	Chen-Hong Tan	2011/06/17	product family	ZipLine	rel level	Released		
surface	linear	0.X	±0.3		title ZipLine VERT HDR SPECIAL 6 PR 16 COLUMN, 2+12+2, 1.8mm PITCH, 30.6mm	dwg no 10084174	rev A		
		0.XX	±0.10						
		0.XXX	±0.050						
ASME Y14.5	angular	0°	±2°	www.fci.com	cat. no.	Product - Customer Drw	sheet 4 of 6		

DETAIL E



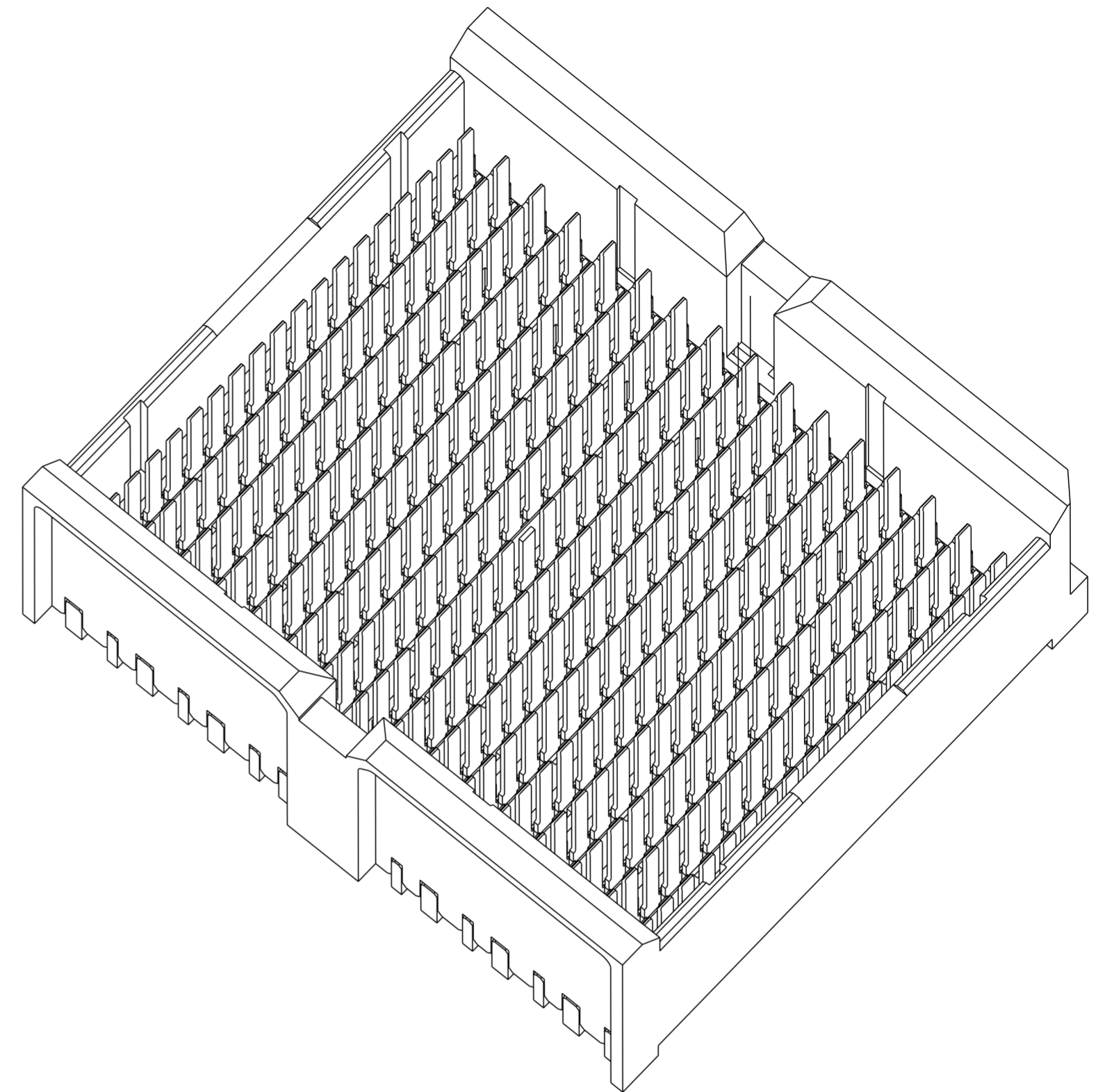
Copyright FCI.

spec ref	dr	Yong-Keat Lim	2009/09/11	projection	MM	size	A2	scale	5:1
tolerance std	eng	Yong-Keat Lim	2011/06/17			ecn no	-	rel level	Released
ASME Y14.5	chr	-	2011/06/17						
	appr	Chen-Hong Tan	2011/06/17	product family	ZipLine	rel level	Released		
surface	linear	0.X	±0.3		TITLE ZipLine VERT HDR SPECIAL 6 PR 16 COLUMN, 2+12+2, 1.8mm PITCH, 30.6mm	dwg no 10084174	rev A		
		0.XX	±0.10						
		0.XXX	±0.050						
ASME Y14.5	angular	0°	±2°	www.fci.com	cat. no.	Product - Customer Drw	sheet 5 of 6		

PART NUMBER	PRESS-FIT TAIL PLATING TYPE	SHORT DETECT CONTACT
10084174-101	TIN LEAD ALLOY OVER NICKEL	NO
10084174-101LF	TIN OVER NICKEL (LEAD FREE)	NO
10084174-111	TIN LEAD ALLOY OVER NICKEL	YES
10084174-111LF	TIN OVER NICKEL (LEAD FREE)	YES

NOTES:

- CONNECTOR MATERIALS:
HOUSING: HIGH TEMP THERMOPLASTIC, BLACK, UL94V-0
IMLA PLASTIC: HIGH TEMP THERMOPLASTIC, BLACK, UL94V-0
CONTACT: COPPER ALLOY
- CONTACT PLATING:
SEPARABLE INTERFACE: PERFORMANCE-BASED PLATING, QUALIFIED TO MEET THE REQUIREMENTS OF FCI PRODUCT SPECIFICATION GS-12-452 INCLUDING TELCORDIA GR-1217-CORE (NOVEMBER 1995) CENTRAL OFFICE TEST SEQUENCE
PRESS-FIT TAILS: SEE TABLE
- PRODUCT SPECIFICATION: GS-12-452.
- APPLICATION SPECIFICATION: GS-20-094.
- PRODUCT MARKING, (PART NUMBER & LOT CODE), ON THESE SURFACES.
- CONNECTOR OUTLINE WITH HOUSING POS A13, A1 FOR 10080640, INDICATOR MAY BE SCREEN PRINTED ONTO CUSTOMER PCB TO BE USED AS A GUIDE FOR MANUAL CONNECTOR PLACEMENT.
- THERE IS NO GROUND BUSSING WITHIN THE HEADER CONNECTOR. HOWEVER, POSITIONS R1, R3, R5, R7, R9, R11, R13, & R15 OF THE MATING RECEPTACLE ARE BUSSED. THESE MUST BE ASSIGNED AS GROUNDS.
- REFER TO CUSTOMER DRAWING 10045979 FOR INFORMATION ON PCB HOLE DIAMETERS AND PLATING OPTIONS.
- THIS PRODUCT MEETS EUROPEAN UNION DIRECTIVES AND OTHER COUNTRY REGULATIONS AS DESCRIBED IN GS-22-008.
- THE HOUSING WILL WITHSTAND EXPOSURE TO 260°C PEAK TEMPERATURE FOR 40 SECONDS IN A CONVECTION, INFRA-RED OR VAPOR PHASE REFLOW OVEN.
- PACKAGING MEETS GS-14-920 LEAD FREE LABELING SPECIFICATION.
- MINIMUM PCB THICKNESS TO BE 3.5mm FOR ORTHOGONAL APPLICATIONS.
- FOR -11X ASSEMBLIES, MATING PIN J7 HAS 0.60mm LESS NOMINAL WIPE THAN OTHER PINS.



10084174-111



Copyright FCI.

spec ref	dr	Yong-Keat Lim	2009/09/11	projection	MM	size	A2	scale	5:1
tolerance std	eng	Yong-Keat Lim	2011/06/17			ecn no	-	rel level	Released
ASME Y14.5	chr	-	app						
surface	linear	0.X	±0.3		ZipLine VERT HDR SPECIAL 6 PR 16 COLUMN, 2+12+2, 1.8mm PITCH, 30.6mm	dwg no	10084174	rev	A
ASME Y14.5		0.XX	±0.10						
	angular	0°	±2°						
www.fci.com				cat. no.	-	Product - Customer Drw		sheet 6 of 6	

PDS: Rev :A

STATUS:Released

Printed: Jun 17, 2011