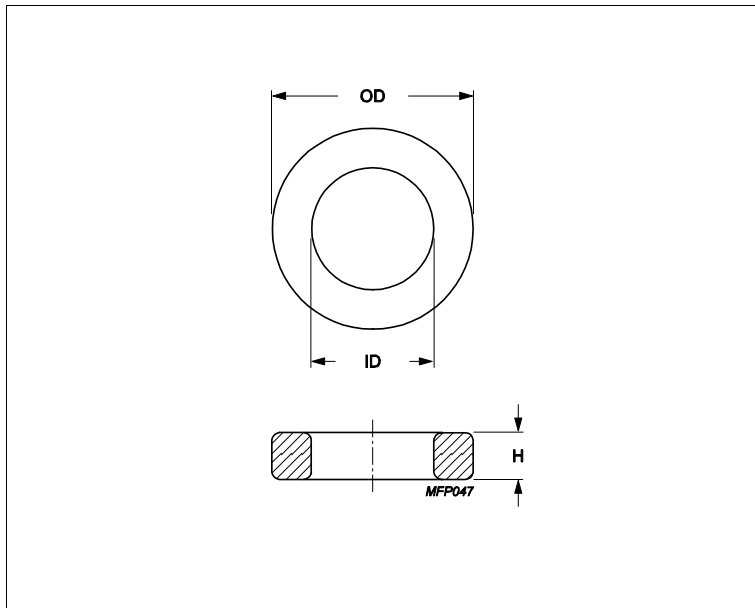


## Core **Toroid 26/15/10**



Effective parameters			
	Parameter	Value	Unit
$\Sigma(I/A)$	core factor (C1)	1.08	mm <sup>-1</sup>
<b>Ve</b>	effective volume	3360	mm <sup>3</sup>
<b>Le</b>	effective length	60.1	mm
<b>Ae</b>	effective area	55.9	mm <sup>2</sup>
<b>m</b>	mass of core	≈ 17	g/pcs

Epoxy coating DC isolation voltage 2000.

Maximum operating temperature of the coating is 200°C.

### Dimensions (mm)

Cores	OD	ID	H	
<b>TX26/15/10</b>	26.95 max	13.65 min	10.9 max	Epoxy Coated

### Core data

Cores	Material	Al (nH/turns <sup>2</sup> )	Al tolerance	$\mu\epsilon$
<b>TX26/15/10</b>	3C94	2530	± 25%	≈ 2300
<b>TX26/15/10</b>	3E10	11000	± 20%	≈ 10000
<b>TX26/15/10</b>	3E12	13200	± 30%	≈ 12000
<b>TX26/15/10</b>	3E26 (3E27-M7)	7710	± 25%	≈ 7000
<b>TX26/15/10</b>	3E27	6060	± 25%	≈ 5500
<b>TX26/15/10</b>	3E6 (3E10-M)	11000	± 30%	≈ 10000
<b>TX26/15/10</b>	3E65	5730	± 25%	≈ 5200