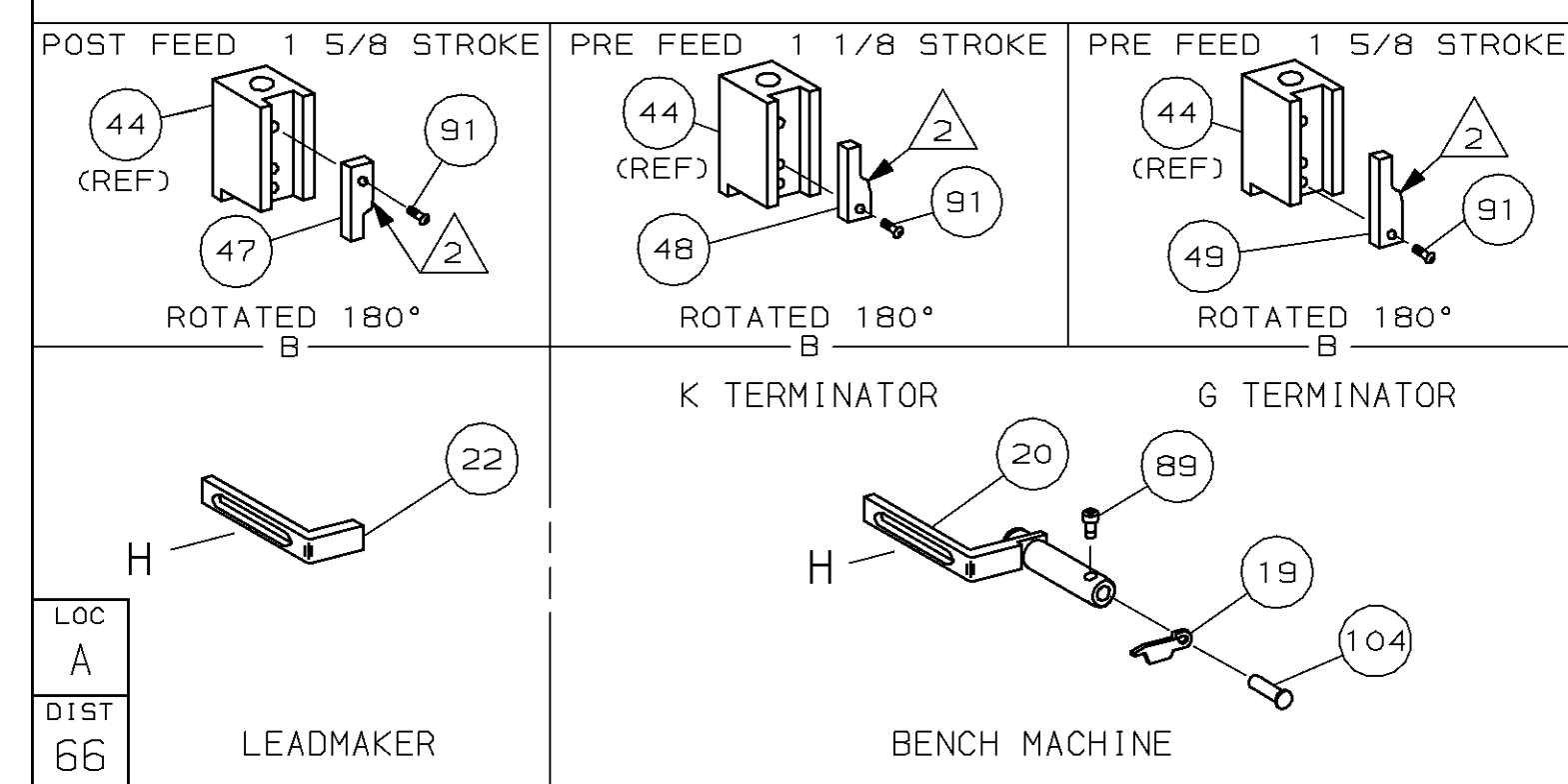
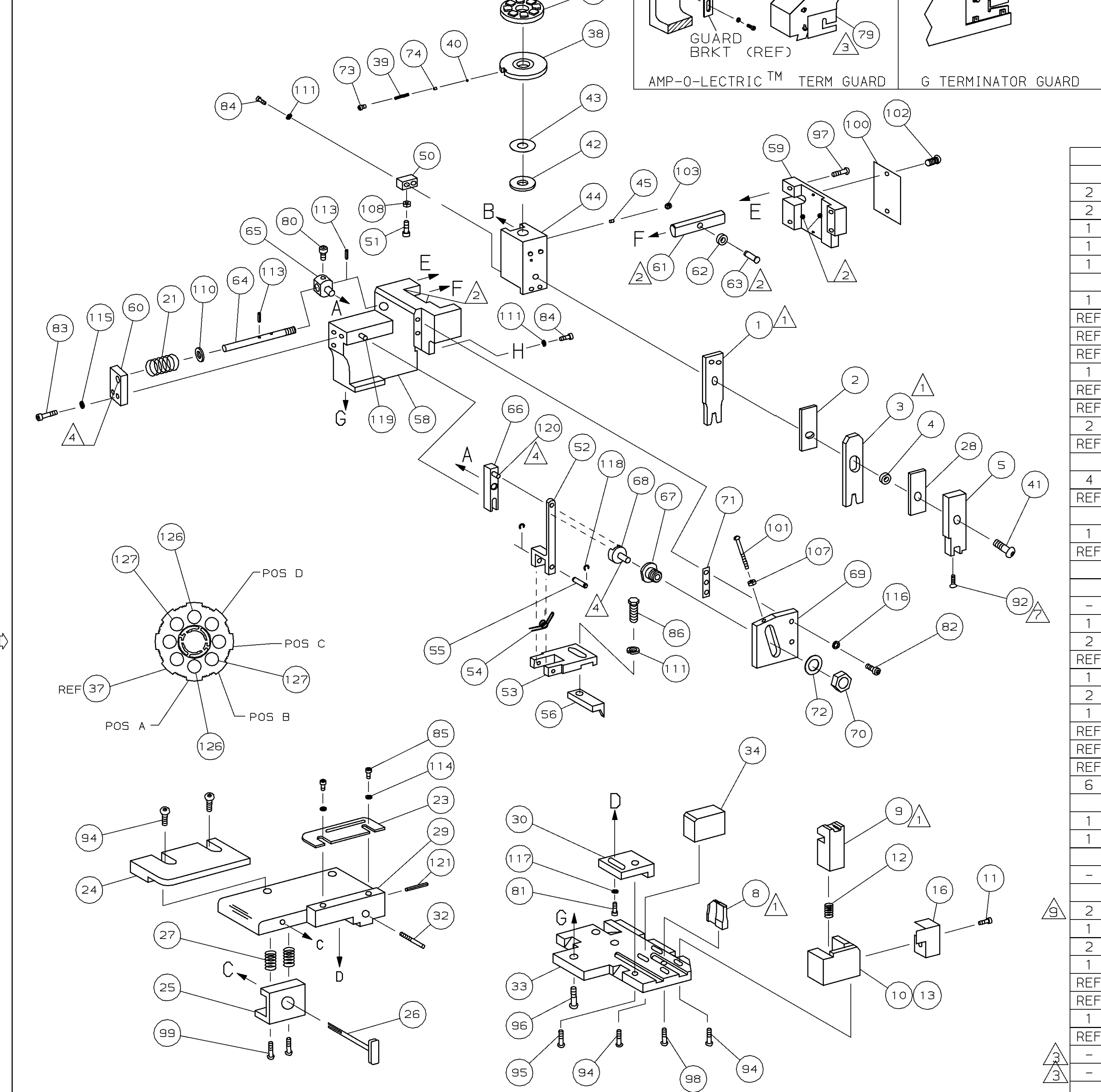


PART NUMBER	REV	FIRST USED
680462-1	A	122500-1
680462-2	A	565435-5
680462-3	A	354500-1
680462-4	A	122500-1



- 1 RECOMMENDED SPARE PARTS.
- 2 GREASE LIGHTLY.
- 3 GUARD MUST BE IN PLACE WHEN OPERATING APPLICATOR IN A BENCH MACHINE.
- 4 LUBRICATE DAILY USING NO. 20 MACHINE OIL.
- 5. ITEMS WITH QTY OF REF SPECIFIED (EXCEPT ITEMS 78 AND 79) ARE USED ON ITEM 46.
- 6 THIS APPLICATOR DOES NOT CUT-UP THE CARRIER STRIP.
- 7 APPLY TORQ-SEAL IN ALLEN SOCKET TO FILL HOLE AFTER FLAT HD HAS BEEN ADJUSTED TO CORRECT HEIGHT AT QUALIFICATION. APPLY #1-23419-5 LOC-TITE TO THREADS.

SEAL	TERMINAL	CRIMPING DATA			
8	282289				
		PAD LTR			
		CRIMP HEIGHT			
		WIRE SIZE			
		A .060 ±.002 [1.52 ±0.05mm] 1.5 mm ²			
		B .057 ±.002 [1.45 ±0.05mm] 1 mm ²			
		C NOT USED			
		D NOT USED			
		CRIMP SIZE TYPE RANGE			
		WIRE .090 [2.29mm] F 1-1.5mm ²			
		INSUL .145 [3.68mm] 0 2.1-2.4mm			
WIRE STRIP LENGTH	TERM APPL SPEC	FEED	APPL INSTRUCTION	SET UP GAGE	LAYOUT
.171-.188	114-20067	.469	408-8040	458637-1	L1929

QTY	REQD	PER	ASSY	PARTS LIST	DESCRIPTION	ITEM NO		
129						129		
128						128		
2	2	2	2	-	C	1-354779-2	PIN, WIRE DISC (.3050)B	127
2	2	2	2	-	C	354779-6	PIN, WIRE DISC (.3020)A	126
1	1	1	1	-	A	986950-1	WASHER, FLAT PRECISION	125
1	1	1	1	-	A	217238-1	GENERAL INSTRUCTION PACKAGE	124
1	1	1	1	-	-	4088040	SF APPL INST 408-8040	123
								122
1	1	1	1	-	A	4-21028-0	PIN,SLT SPR(φ.093x.75)ST GDE PL	121
REF	REF	REF	REF	-	A	1-21030-1	PIN,DOWL(φ.187x.50)LEVER	120
REF	REF	REF	REF	-	A	1-21030-6	PIN,DOWL(φ.187x1.25)HOUSING	119
REF	REF	REF	REF	-	A	21045-3	RING,RET "C"(φ.187)FD FING PIN	118
1	1	1	1	-	A	21024-5	WASHER, LOCK (#10)ADJ BLK	117
REF	REF	REF	REF	-	A	21024-5	WASHER,LOCK(#10)ADJ PLATE	116
REF	REF	REF	REF	-	A	21024-5	WASHER,LOCK(#10)FEED GDE ROD	115
2	2	2	2	-	A	21024-2	WASHER,LOCK(#4)FRONT STP GUIDE	114
REF	REF	REF	REF	-	A	5-21028-1	PIN,SLT SPR(φ.125x.50)ADJ ROD	113
								112
4	4	4	4	-	A	21024-4	WASHER,LOCK(#8)STRIPPER	111
REF	REF	REF	REF	-	A	21899-4	WASHER,FLAT(φ5/16)SCREW ADJ	110
								109
1	1	1	1	-	A	21018-5	NUT, HEX(NO. 6)HOLDDOWN	108
REF	REF	REF	REF	-	A	21018-5	NUT, HEX(6-32)FEED ADJ	107
								106
								105
-	1	1	-	-	A	992031-1	PIN, CLEVIS	104
1	1	1	1	-	A	21009-2	SCR,SKT SET(1/4-20x.25 LW)RAM	103
2	2	2	2	-	A	21017-2	SCR,DRIVE(#2x.19)ID PLATE	102
REF	REF	REF	REF	-	A	6-23715-5	SCR,PAN HD(6-32x1.50)FEED ADJ	101
1	1	1	1	-	B	461264-1	PLATE, IDENTIFICATION	100
2	2	2	2	-	A	3-21002-0	SCR,BHC(10-32x.88)DRAG	99
1	1	1	1	-	A	22733-8	SCR,BHC(8-32x.38 LW)ANVIL	98
REF	REF	REF	REF	-	A	2-21002-9	SCR,BHC(10-32x.75)CAP	97
REF	REF	REF	REF	-	A	2-22733-8	SCR,BHC(1/4-20x.62)HOUSING	96
REF	REF	REF	REF	-	A	2-21002-7	SCR,BHC(10-32x.50)SG ADJ BLOCK	95
6	6	6	6	-	A	2-21002-2	SCR,BHC(8-32x.50)TERM H DWN	94
								93
1	1	1	1	-	A	1-21003-9	SCR,FHC(6-32x.38)DEP	92
1	1	1	1	-	A	1-21002-7	SCR,BHC(6-32x.38)CAM	91
								90
-	1	1	-	-	A	7-21000-9	SCR,SHC(4-40x.19)STRIPPER	89
								88
2	2	2	2	-	A	2-21000-7	SCR,SHC(8-32x.48)HOLD DOWN	87
1	1	1	1	-	A	2-22603-0	SCR,HEX HD(8-32x.31)FEED FINGER	86
2	2	2	2	-	A	1-21000-3	SCR,SHC(4-40x.25)F ST GUIDE	85
1	1	1	1	-	A	2-21000-7	SCR,SHC(8-32x.50)STRIPPER	84
REF	REF	REF	REF	-	A	3-21000-7	SCR,SHC(10-32x.75)FEED ROD GD	83
REF	REF	REF	REF	-	A	3-21000-6	SCR,SHC(10-32x.62)FD ADJ BLK	82
1	1	1	1	-	A	3-21000-4	SCR,SHC(10-32x.38)SG ADJ BL	81
REF	REF	REF	REF	-	A	3-21000-4	SCR,SHC(10-32x.38)PIVOT BLK	80
-	-	REF	-	-	B	455749-1	GUARD, WINDOW	79
-	REF	-	-	-	B	679532-1	INSERT, GUARD	78
								77
								76
								75
1	1	1	1	-	A	690603-1	SPRING, ASSIST	74
1	1	1	1	-	A	23030-1	SCR,SHC(6-32x.25 SL)INS DISC	73
REF	REF	REF	REF	-	A	458109-1	WASHER, SPECIAL	72
REF	REF	REF	REF	-	A	690517-1	SPACER	71
-4	-3	-2	-1	U/M	DWG SIZE			

QTY	REQD	PER	ASSY	PARTS LIST	DESCRIPTION	ITEM NO		
						70		
						69		
						68		
						67		
						66		
						65		
						64		
						63		
						62		
						61		
						60		
						59		
						58		
						57		
1	1	1	1	-	B	690542-2	PAWL, FEED	56
REF	REF	REF	REF	-	B	240624-1	PIN, FEED FINGER	55
REF	REF	REF	REF	-	B	691499-1	SPRING, FEED FINGER	54
REF	REF	REF	REF	-	B	690541-1	HOLDER, FEED FINGER	53
REF	REF	REF	REF	-	A	455679-1	LEVER, TERMINAL FEED ARM	52
1	1	1	1	-	A	811242-2	BUMPER, HOLDDOWN	51
1	1	1	1	-	A	690753-1	SPACER, TONKER	50
-	1	-	-	-	B	690602-6	CAM, PRE-FEED 1 5/8 ST	49
-	-	-	-	-	B	690602-5	CAM, PRE-FEED 1 1/8 ST	48
1	-	-	-	-	B	690501-4	CAM, POST-FEED 1 5/8 ST	47
1	1	1	1	-	B	459456-1	APPLICATOR, BASIC (SUBASSY)	46
1	1	1	1	-	A	690191-1	PLUG, NYLON	45
1	1	1	1	-	C	455673-1	RAM	44
1	1	1	1	-	A	690125-1	WASHER, LAMINATED	43
1	1	1	1	-	A	690124-1	WASHER, RAM	42
1	1	1	1	-	A	7-21002-9	BOLT, CRIMPER(5/16x1.00)	41
1	1	1	1	-	A	23241-6	BALL, STEEL	40
1	1	1	1	-	A	690170-1	SPRING, COMPRESSION	39
1	1	1	1	-	C	690142-1	DISC, INSULATION	38
1	1	1	1	-	D	354777-1	WIRE DISC, PLASTIC	37
1	1	1	1	-	A	22480-5	WASHER, SPRING	36
1	1	1	1	-	B	690212-1	POST, RAM	35
1	1	1	1	-	B	690786-2	SUPPORT, TERMINAL	34
REF	REF	REF	REF	-	D	455675-1	PLATE, BASE	33
1	1	1	1	-	A	690432-3	SCREW, ADJUSTMENT	32
								31
REF	REF	REF	REF	-	B	455689-1	BLOCK, STRIP GUIDE ADJ	30
1	1	1	1	-	C	455671-1	PLATE, STRIP GUIDE	29
1	1	1	1	-	C	1-455888-9	SPACER, FRONT SHEAR DEP	28
2	2	2	2	-	A	1-22284-0	SPRING, DRAG	27
1	1	1	1	-	B	690546-1	LEVER, DRAG RELEASE	26
1	1	1	1	-	B	240792-1	DRAG, TERMINAL	25
1	1	1	1	-	D	9-690504-2	GUIDE, STRIP (REAR)	24
1	1	1	1	-	A	690438-1	GUIDE, STRIP (FRONT)	23
1	-	-	-	-	B	690472-2	STRIPPER	22
REF	REF	REF	REF	-	A	4-22284-9	SPRING, FEED RETURN	21
-	1	1	-	-	A	679218-1	STRIPPER WIRE STOP ASSY	20
-	1	1	-	-	B	458949-1	STRIPPER	19
								18
								17
1	1	1	1	-	B	318563-1	GUARD, CHIP, FRONT	16
								15
								14
1	-	-	-	-	C	679625-2	HOLDER, SHEAR (FRONT)	13
1	1	1	1	-	A	5-22280-0	SPRING, SHEAR	12
1	1	1	1	-	B	690461-2	STOP, SHEAR	11
-	1	1	1	-	C	1-690459-0	HOLDER, SHEAR (FRONT)	10
1	1	1	1	-	C	318707-1	SHEAR, FLOAT (FRONT)	9
1	1	1	1	-	C	1-662187-3	ANVIL	8
								7
								6
1	1	1	1	-	C	318701-1	DEPRESSOR, SHEAR (FRONT)	5
1	1	1	1	-	B	2-238011-2	SPACER, BLOCK CRIMPER	4
1	1	1	1	-	C	3-683454-2	CRIMPER, INSULATION	3
1	1	1	1	-	C	455888-8	SPACER, CRIMPER	2
1	1	1	1	-	C	2-456406-3	CRIMPER, WIRE	1

THIS DRAWING IS A CONTROLLED DOCUMENT FOR AMP INCORPORATED. IT IS SUBJECT TO CHANGE AND THE CONTROLLING ENGINEERING ORGANIZATION SHOULD BE CONTACTED FOR THE LATEST REVISION.

THIS INFORMATION IS CONFIDENTIAL AND IS DISCLOSED TO YOU ON CONDITION THAT NO FURTHER DISCLOSURE IS MADE BY YOU TO OTHER THAN AMP PERSONNEL WITHOUT WRITTEN AUTHORIZATION FROM AMP INCORPORATED, HARRISBURG, PA.

REVISION OF EACH ASSY NO (WHEN BLANK, USE DWG REVISION)

DIMENSIONS IN INCHES. DO NOT SCALE PRINT. TOLERANCES UNLESS OTHERWISE SPECIFIED.
 2 PLC DEC ±
 3 PLC DEC ±
 4 PLC DEC ±
 ANGLES ±
 SURF TEXTURE: ✓
 REMOVE BURRS, BREAK SHARP EDGES R.015 MAX

MATL - HT TR - FIN -
 DR L. COLLINS 20MAY97 APP J. HIRNISEN 20MAY97
 CHK C. ERISMAN 20MAY97 REL -
 NAME SIDE FEED HDM APPLICATOR MACHINE REF MINI APPL
 SCALE - DWG NO 680462 SHEET 1 OF 1 REV A