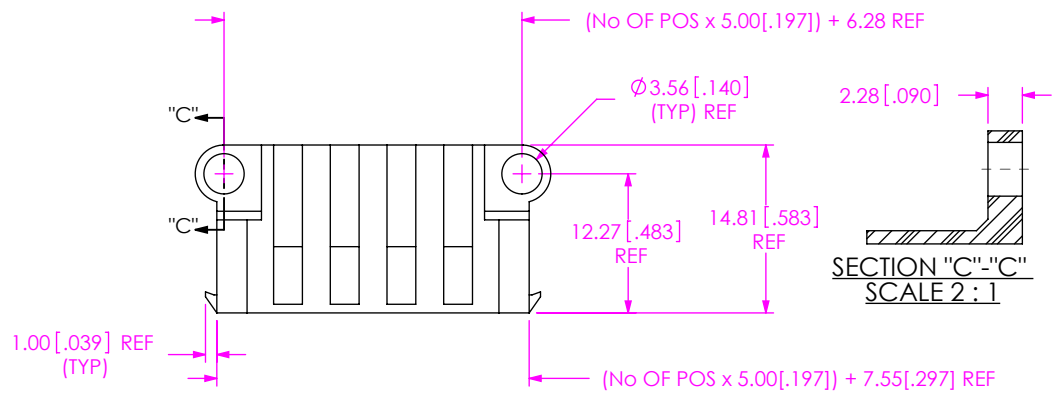


DO NOT SCALE FROM THIS PRINT



No OF POSITIONS  
-02, -03, -04, -06, -08

LEAD STYLE  
-01

TAIL LENGTH  
-01: FOR 1.57[.062] THICK PCB (USE SUB-T-1M40-01-X)  
-03: FOR 2.36[.093] THICK PCB (USE SUB-T-1M40-03-X)

OPTION (SEE NOTE 7)  
(LEAVE BLANK FOR STANDARD OPTION) (SEE FIG 3, SHT 2)  
-SD: SCREW DOWN (SEE FIG 1, SHT 1)  
-LC: LOCKING CLIP (USE LC-07-TM) (SEE FIG 2, SHT 2)  
RIGHT ANGLE

PLATING SPECIFICATION  
-L: 10μ" GOLD IN CONTACT AREA, MATTE TIN ON TAIL  
-T: MATTE TIN CONTACT AND TAIL

STYLE	"A"	SUB-T-1M40-XX-X
-01	2.72[.107]	SUB-T-1M40-01-X
-03	3.51[.138]	SUB-T-1M40-03-X

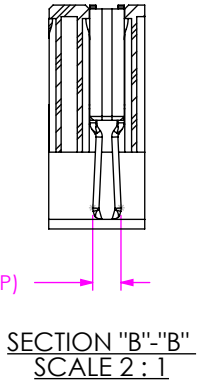
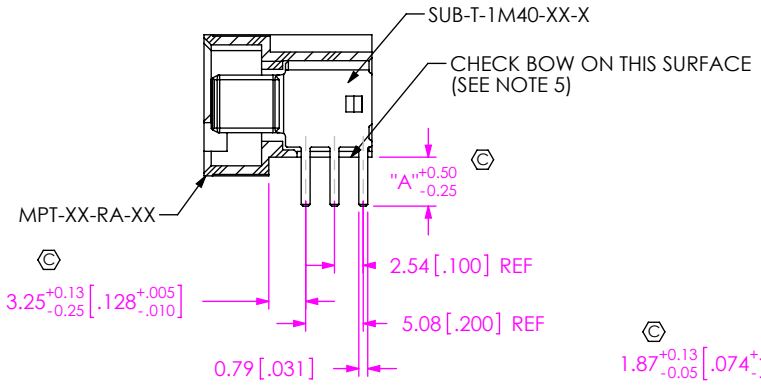
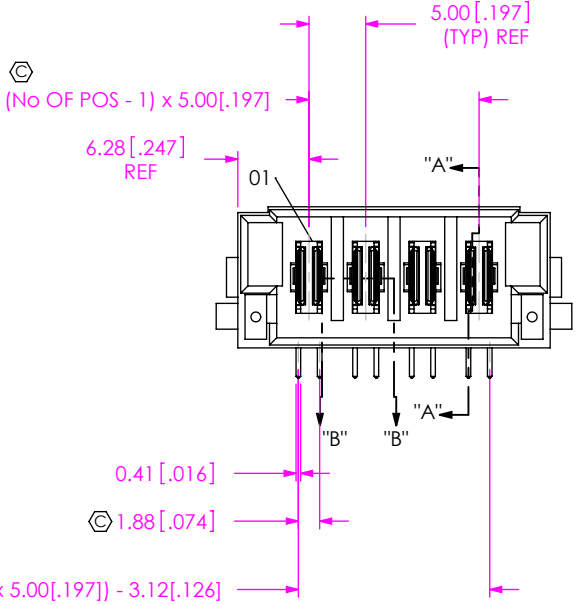
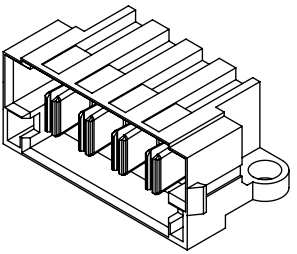


FIG 1  
MPT-04-01-X-RA-SD SHOWN



- NOTES:
- ⊕ REPRESENTS A CRITICAL DIMENSION.
  - BURR ALLOWANCE: 0.038[.0015] MAX.
  - MINIMUM PUSHOUT FORCE: 4.45N[1 LB].
  - PARTS TO BE PACKAGED IN TRAYS.
  - BOW ALLOWED AT 0.051 MM/MM [.002 IN/IN]
  - MINIMUM -LC PULLOUT FORCE: 2.23N [0.5LB]
  - AS OF REV K SAMTEC WILL ONLY SUPPORT EXISTING BUSINESS WITHOUT -SD OR -LC OPTION SELECTED.

UNLESS OTHERWISE SPECIFIED, DIMENSIONS ARE IN MILLIMETERS.  
 TOLERANCES ARE:  
 DECIMALS ANGLES  
 .X: ±0.3 [.01] 2°  
 .XX: ±0.13 [.005]  
 .XXX: ±0.051 [.0020]

PROPRIETARY NOTE  
 \* THIS DOCUMENT CONTAINS CONFIDENTIAL AND PROPRIETARY INFORMATION AND ALL DESIGN, MANUFACTURING, REPRODUCTION, USE, PATENT RIGHTS AND SALES RIGHTS ARE EXPRESSLY RESERVED BY SAMTEC, INC. THIS DOCUMENT SHALL NOT BE DISCLOSED, IN WHOLE OR PART, TO ANY UNAUTHORIZED PERSON OR ENTITY NOR REPRODUCED, TRANSFERRED OR INCORPORATED IN ANY OTHER PROJECT IN ANY MANNER WITHOUT THE EXPRESS WRITTEN CONSENT OF SAMTEC, INC.

MATERIAL: DO NOT SCALE DRAWING SHEET SCALE: 1:0.666667  
 INSULATOR: LCP, COLOR: BLACK  
 CONTACT: COPPER ALLOY  
 LOCKING CLIP: COPPER ALLOY

F:\DWG\MISC\MKTG\MPT-XX-01-XX-X-RA-XX-MKT.SLDDRW

520 PARK EAST BLVD, NEW ALBANY, IN 47150  
 PHONE: 812-944-6733 FAX: 812-948-5047  
 e-Mail: info@SAMTEC.com code: 55322

DESCRIPTION:  
RIGHT ANGLE POWER TERMINAL

DWG. NO.  
MPT-XX-01-XX-X-RA-XX

BY: CLAY W 1/31/2007 SHEET 1 OF 2

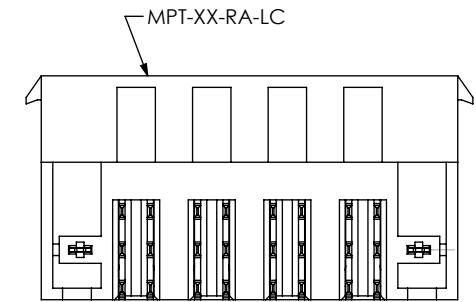
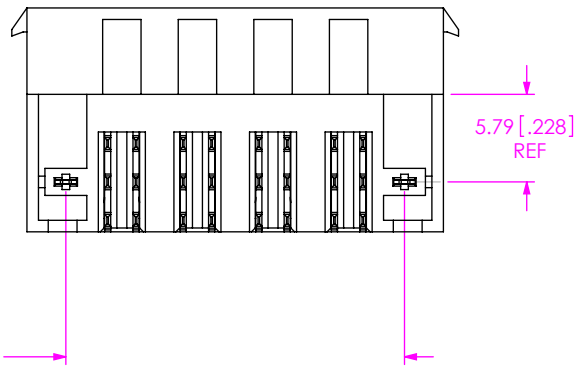
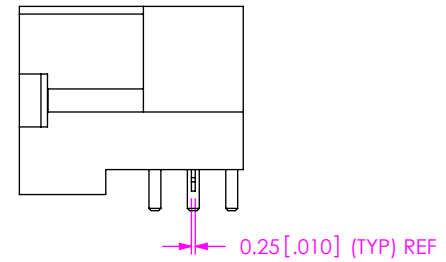
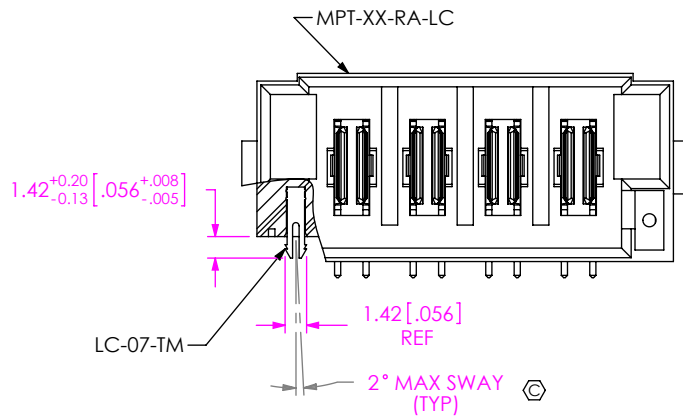


FIG 2  
MPT-04-01-X-RA-LC SHOWN  
(DIFFERENT AS SHOWN, OTHERWISE SAME AS FIG 1)

FIG 3  
MPT-04-01-X-RA SHOWN  
(DIFFERENT AS SHOWN, OTHERWISE SAME AS FIG 1)

**PROPRIETARY NOTE**  
 THIS DOCUMENT CONTAINS CONFIDENTIAL AND PROPRIETARY INFORMATION AND ALL DESIGN, MANUFACTURING, REPRODUCTION, USE, PATENT RIGHTS AND SALES RIGHTS ARE EXPRESSLY RESERVED BY SAMTEC, INC. THIS DOCUMENT SHALL NOT BE DISCLOSED, IN WHOLE OR PART, TO ANY UNAUTHORIZED PERSON OR ENTITY NOR REPRODUCED, TRANSFERRED OR INCORPORATED IN ANY OTHER PROJECT IN ANY MANNER WITHOUT THE EXPRESS WRITTEN CONSENT OF SAMTEC, INC.

**samtec**  
 520 PARK EAST BLVD, NEW ALBANY, IN 47150  
 PHONE: 812-944-6733 FAX: 812-948-5047  
 e-Mail: info@SAMTEC.com code: 55322

DO NOT SCALE DRAWING  
 SHEET SCALE: 2:1

DESCRIPTION:  
 RIGHT ANGLE POWER TERMINAL  
 DWG. NO.  
 MPT-XX-01-XX-X-RA-XX  
 BY: CLAY W 1/31/2007 SHEET 2 OF 2