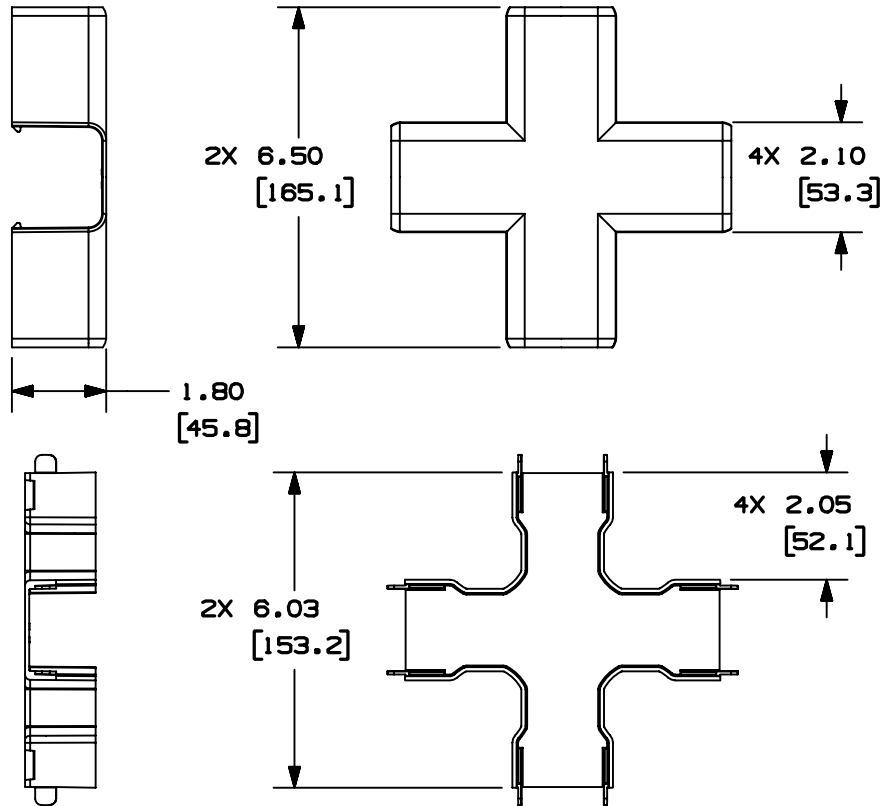


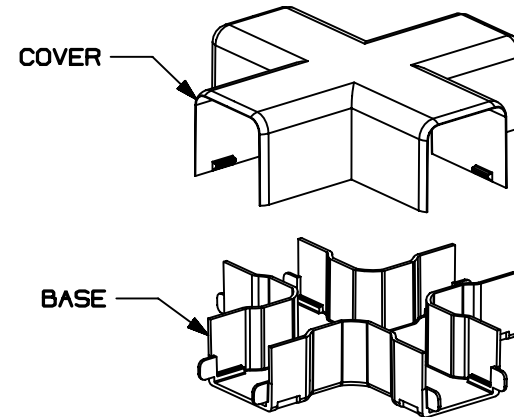
THIS COPY IS PROVIDED ON A RESTRICTED BASIS AND IS NOT TO BE USED IN ANY WAY DETRIMENTAL TO THE INTERESTS OF PANDUIT CORP.



PANDUIT PART NO.	WEIGHT
OFR20CR	.36 lbs / EACH (163.3 g / EACH)

NOTES:

1. SEE CURENT CATALOG FOR ADDITIONAL PART NUMBER SUFFIXES TO INDICATE COLOR AND/OR PACKAGE QUANTITY.
2. DIMENSIONS IN PARENTHESES ARE IN METRIC.
3. FITTING PROVIDES 1" MIN. BEND RADIUS.



CAD FILENAME/LAYERS D38509B1_DC_OFR20CR_00B.PRT

PANDUIT CORP. TINLEY PARK, ILLINOIS
OFFICE FURNITURE
CROSS FITTING (OFR20CR)
CUSTOMER DRAWING

UNLESS OTHERWISE SPECIFIED,
DIMENSIONAL TOLERANCES ARE:
(.X) ± (.XXX) ±
(.XX) ± .03 (.8) ANGLES ±

UNLESS OTHERWISE SPECIFIED,
ALL DIMENSIONS ARE GIVEN
IN INCHES, THIRD ANGLE PROJECTION.

REV	DATE	BY	CHK	DESCRIPTION	ECN	CHK	CUST	SUP	DRAWN BY	MAT'L:	SCALE	DRAWING NO.	DWG SIZE
1	04-28-03	JBN	RPA	RELEASED TO PRODUCTION	38509-09	RGRO	RGRO		JBN	PVC	NONE	38509-09	A
R	03-13-03	JBN	RPA	DRAWING RELEASED					DATE 03-13-03				
									CHK'D RPA				