

HONEYWELL PART NUMBER
3AC68
PRODUCT CODE
KC-C0670

REV	DOCUMENT	CHANGED BY	CHECK
3	0055333	KNR 06AUG09	CMH

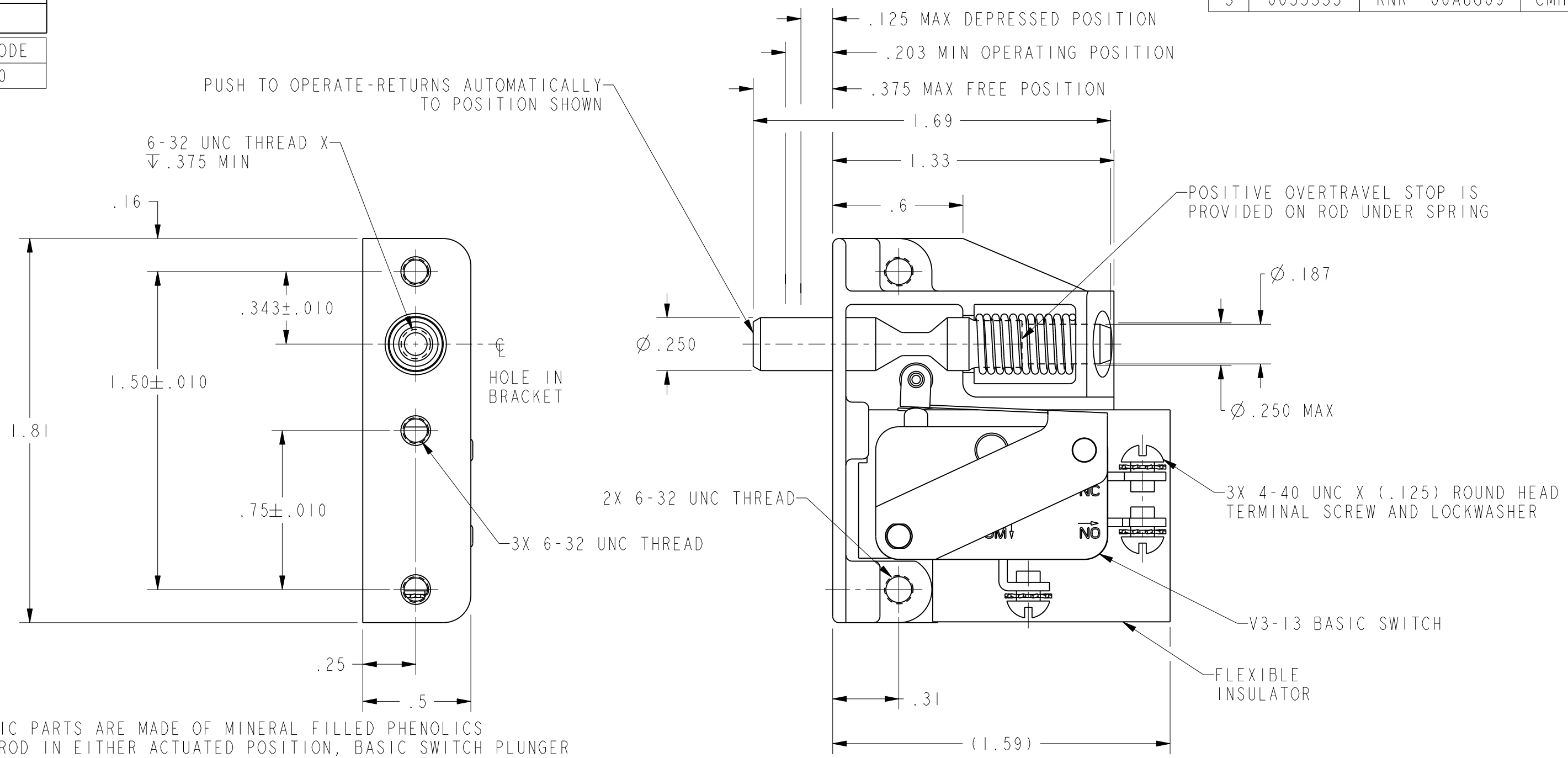
B

A

A

B

A



- NOTES:
- 1 - PLASTIC PARTS ARE MADE OF MINERAL FILLED PHENOLICS
 - 2 - WITH ROD IN EITHER ACTUATED POSITION, BASIC SWITCH PLUNGER MUST HAVE .010 MIN OVERTRAVEL AND WITH ROD IN FREE POSITION BASIC SWITCH PLUNGER MUST HAVE .005 MIN RELEASE TRAVEL

RELEASE NO. PR-14314

CHARACTERISTICS	ELECTRICAL DATA	DESIGN UNITS: INCH	DRAWN	KNR	06AUG09	Honeywell				
		TOLERANCES UNLESS NOTED:	CHECK	SS	06AUG09					
TOTAL TRAVEL	CONTACT ARRANGEMENT	NO PLACES X ±	THIS DRAWING COVERS A PROPRIETARY ITEM AND IS THE PROPERTY OF HONEYWELL. THIS DRAWING IS NOT TO BE COPIED OR USED WITHOUT THE PERMISSION OF HONEYWELL.			TITLE				
.250 APPROX PUSH DIRECTION	S P D T	ONE PLACE .X ±								
FULLY DEPRESSED FORCE - 3 LBS	15.1A 1/2HP 125 OR 250 VAC 1/2A 125 VDC, 1/4A 250 VDC 5A 125 VAC "L"	TWO PLACE .XX ±				SIZE TYPE CAGE CODE DRAWING NAME REV				
		THREE PLACE .XXX ±								
		ANGLES X ±	INTERPRET PER ANSI Y14.5M-1982 OTHER HONEYWELL ENGINEERING STANDARDS MAY APPLY			SCALE 2:1 SHEET 1 OF 1				
		THIRD ANGLE PROJECTION	Pro/ENGINEER 3D							