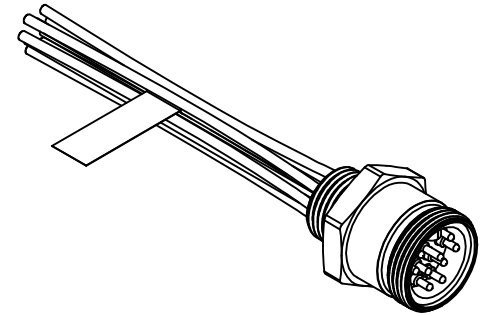
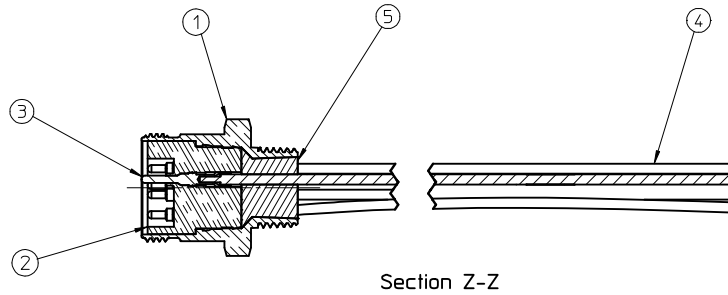
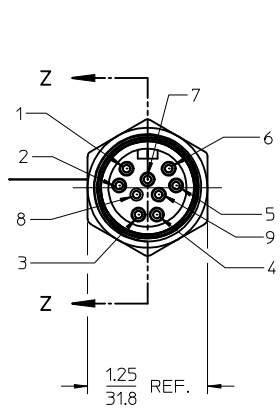
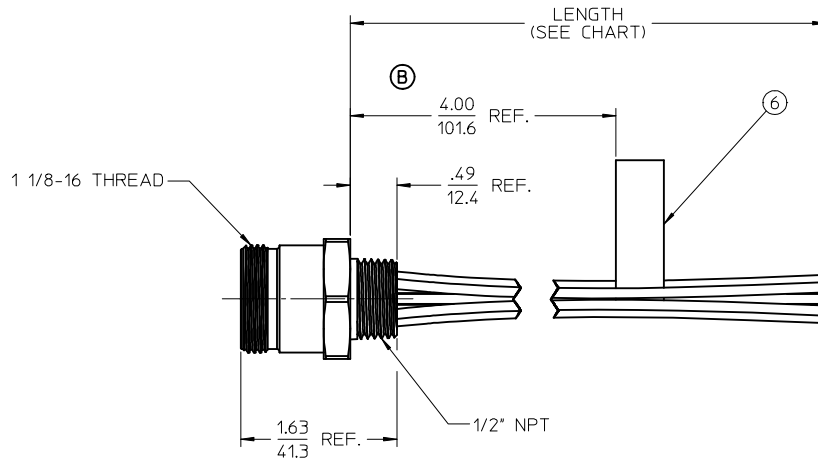
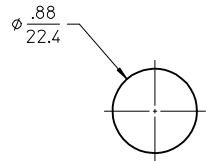


MATERIAL NO.	ENGINEERING NO.	LENGTH
1300150137	3R9006A20A120	12' +.75-0 [305mm +19.0-0]
1300150140	3R9006A20F030	3'0" +1.75-0 [.9M +44.5-0]
1300150143	3R9006A20F060	6'0" +2.19-0 [1.8M +55.6-0]



NOTES:

1. MATERIAL: SEE TABLE
2. FINISHES: SEE TABLE
3. MATES WITH: NONE
4. ELECTRICAL SPECIFICATIONS:
VOLTAGE RATING: 600V AC/DC
CURRENT RATING: 7 AMPS
5. RoHS COMPLIANT

1	ORANGE
2	BLUE
3	RED-BLACK
4	GREEN-BLACK
5	WHITE
6	RED
7	GREEN-YELLOW
8	WHITE-BLACK
9	BLACK

WIRING DIAGRAM

ITEM	QTY.	DESCRIPTION	MATERIAL	FINISH
6	1	LABEL	PLASTIC FILM	BLACK/YELLOW
5	1	POTTING	EPOXY	
4	9	WIRE, 16 AWG (UL 1015)	PVC INSULATED	SEE WIRE DIAGRAM
3	9	CONTACT PIN	BRASS	GOLD PLATED
2	1	INSERT	PVC	YELLOW
1	1	RECEPCTACLE SHELL	ZINC ALLOY	E-COAT, BLACK

DIM WAS 8.00 EC NO: MNA2010-0101 DRAWN: R.STONE 2009/08/17 CHKD: B.WOODMAN APPR: J.MURPHY 2009/08/21	QUALITY SYMBOLS
	=0 =0

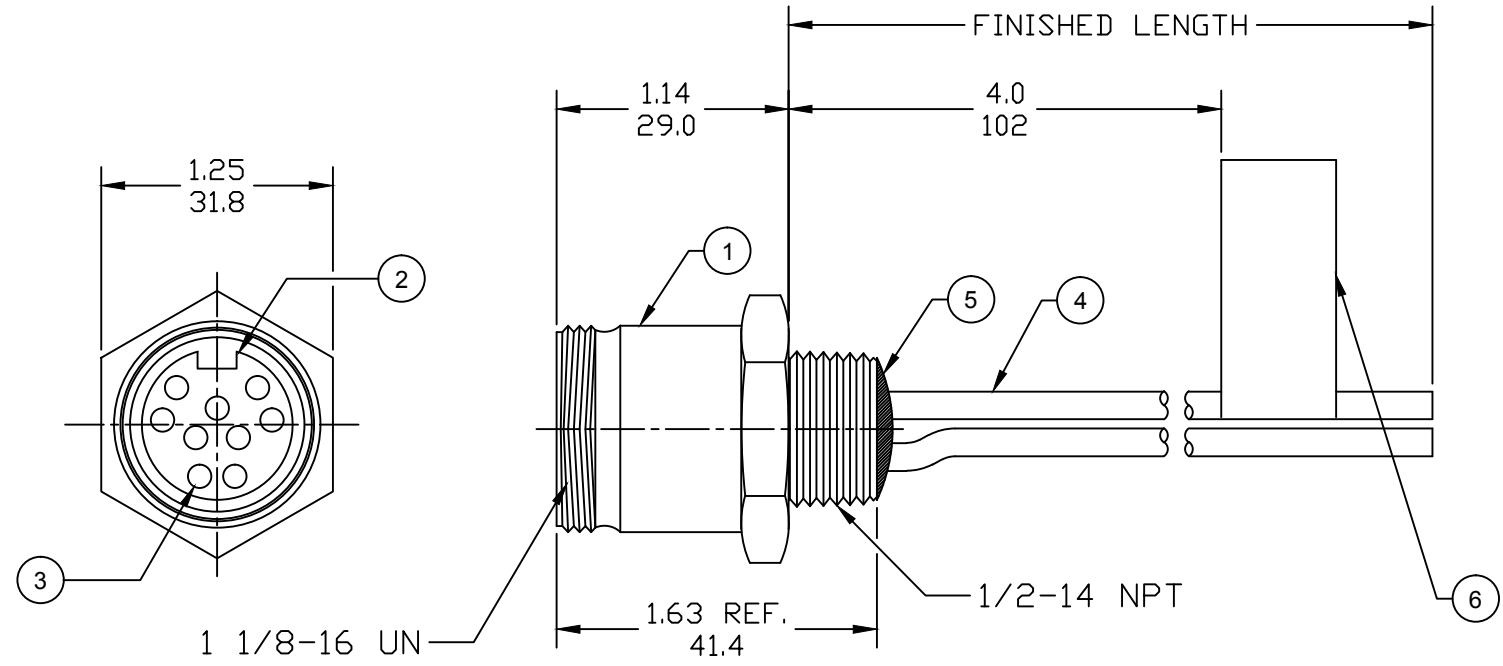
GENERAL TOLERANCES (UNLESS SPECIFIED)	
	IN/MM
4 PLACES	± .005 / ± .127
3 PLACES	± .003 / ± .076
2 PLACES	± .002 / ± .051
1 PLACE	± 0.001 / ± .025
ANGULAR ± 1/2°	

DRAFT WHERE APPLICABLE MUST REMAIN WITHIN DIMENSIONS

DIMENSION STYLE	
IN/MM	
DRAWN BY	DATE
R.STONE	2009/03/26
CHECKED BY	DATE
B.WOODMAN	2009/03/27
APPROVED BY	DATE
J.MURPHY	2009/03/31

SCALE	DESIGN UNITS	THIRD ANGLE PROJECTION
1:1	INCH	
TITLE		
MC RECEPTACLE, MALE 9 POLE, 1/2" NPT		
MATERIAL NO. SEE CHART		
DOCUMENT NO. SD-130015-003		SHEET NO. 1 OF 1
THIS DRAWING CONTAINS INFORMATION THAT IS PROPRIETARY TO MOLEX INCORPORATED AND SHOULD NOT BE USED WITHOUT WRITTEN PERMISSION		

FACE VIEW-MALE INSERT		
1 ORANGE 2 BLUE 3 RED/BLACK 4 GREEN/BLACK 5 WHITE 6 RED 7 GREEN/YELLOW 8 WHITE/BLACK 9 BLACK	1 ORANGE 2 BLUE 3 WHITE/BLACK 4 RED/BLACK 5 GREEN/BLACK 6 ORANGE/BLACK 7 RED 8 GREEN/YELLOW 9 BLACK 10 WHITE	1 ORANGE 2 BLUE 3 WHITE/BLACK 4 RED/BLACK 5 GREEN/BLACK 6 ORANGE/BLACK 7 BLUE/BLACK 8 BLACK/WHITE 9 GREEN/YELLOW 10 RED 11 WHITE 12 BLACK



- NOTES:**
1. MATERIAL: AS NOTED
 2. FINISH: AS NOTED
 3. ELECTRICAL:
 VOLTAGE: 250V PER IEC60664
 600V PER UL2238
 CURRENT: 9 POLE: 7A
 10 POLE: 7A
 12 POLE: 5A
 4. TEMP RATING: -20°TO +105°C
 5. PROTECTION: IP67 (WHEN MATED)
 6. DIMS ARE FOR REFERENCE UNLESS OTHERWISE NOTED

PART NUMBER LEGEND

3R1006A20F0101

- POLES: 9= 9 POLES, 1=10 POLES, 2=12 POLES
- LENGTH: A120= 12 INCHES, F001= .1 FT, F020= 2 FT, F200= 20 FT
- M005= 0.5 METER, M010= 1 METER, M100= 10 METER
- COUPLING: BLANK= STD (SEE BOM), 1= 303 STAINLESS ST.

ITEM	DESCRIPTION	MATERIAL	FINISH
6	FLAG LABEL	VINYL	BLACK/YELLOW
5	POTTING MATERIAL	EPOXY	
4	WIRE, 16 AWG UL (1015)	PVC INSULATION	SEE CHART
3	CONTACT PIN	COPPER ALLOY	GOLD PLATED
2	MALE INSERT (C-SIZE)	PVC	YELLOW
1	RECEPTACLE SHELL	ZINC DIE-CAST	BLACK

EC NO: IPG2017-0578 DRWN: RSTONE 2016/12/08 CHKD: K COX 2016/12/15 APPR: BWOODMAN 2017/02/02	DESCRIPTION REV	QUALITY SYMBOLS	GENERAL TOLERANCES (UNLESS SPECIFIED) mm INCH 4 PLACES ±--- ±--- 3 PLACES ±--- ±--- 2 PLACES ±--- ±--- 1 PLACE ±--- ±--- ANGULAR ±2° DRAFT WHERE APPLICABLE MUST REMAIN WITHIN DIMENSIONS	DIMENSION STYLE	SCALE --- DESIGN UNITS INCH THIRD ANGLE PROJECTION	TITLE	
		▽=0 ∇=0		IN/MM		MINI-CHANGE RECEPTACLE 9, 10, & 12P MALE 16 AWG	
				DRAWN BY DATE		MOLEX INCORPORATED	
				CHECKED BY DATE		DOCUMENT NO.	SHEET NO.
						SD-130015-027	1 OF 1
				SIZE B	THIS DRAWING CONTAINS INFORMATION THAT IS PROPRIETARY TO MOLEX INCORPORATED AND SHOULD NOT BE USED WITHOUT WRITTEN PERMISSION		