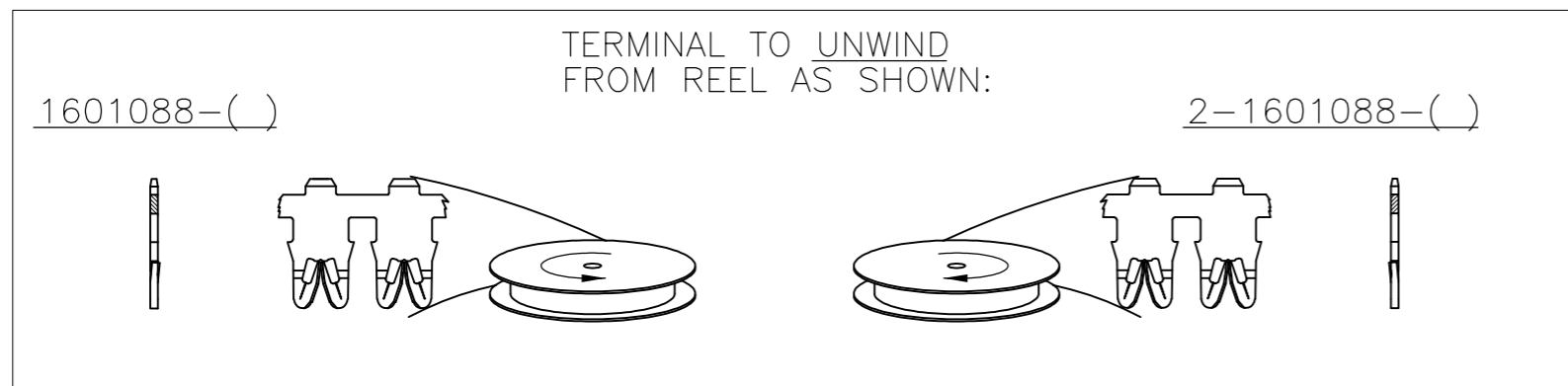
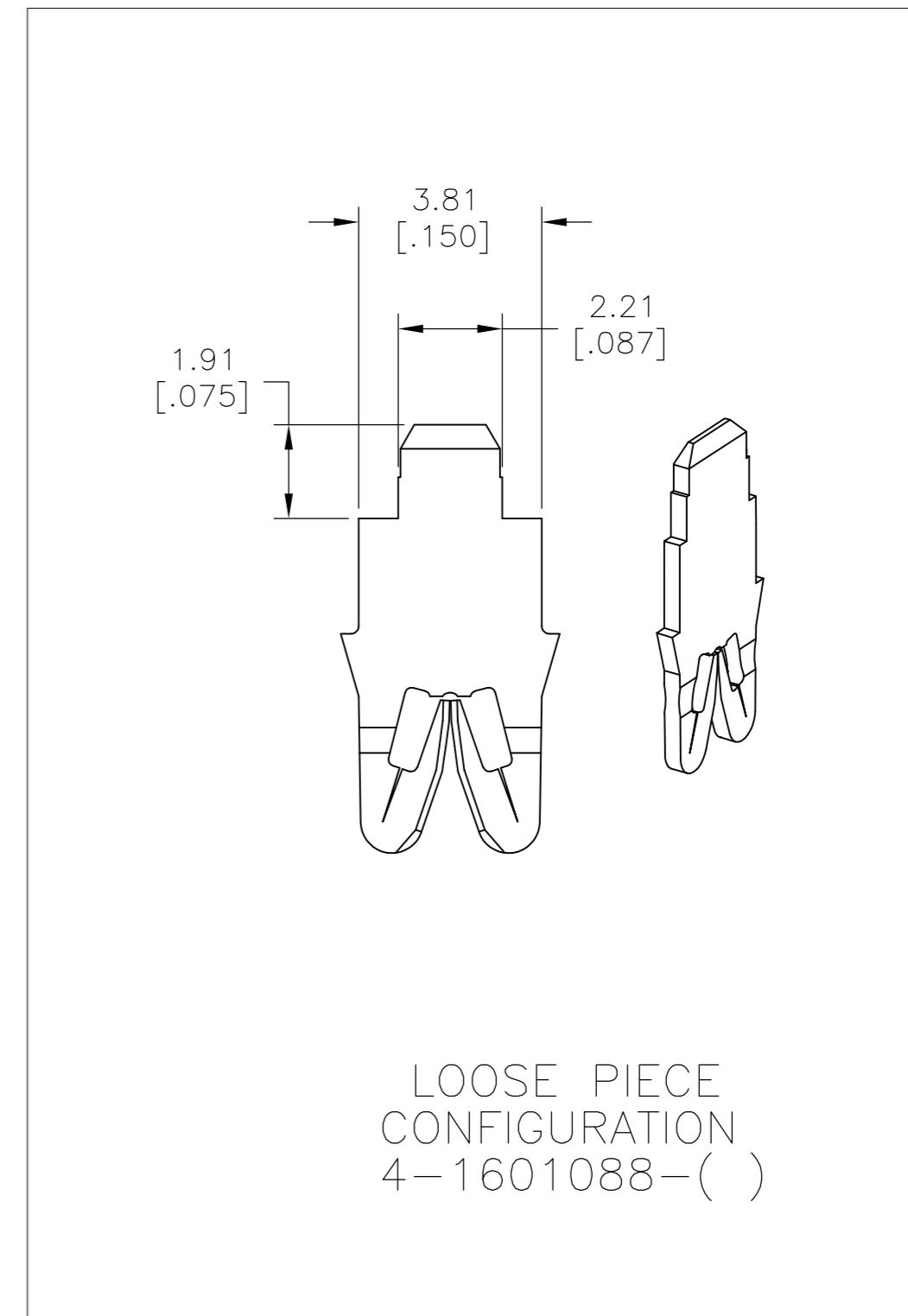
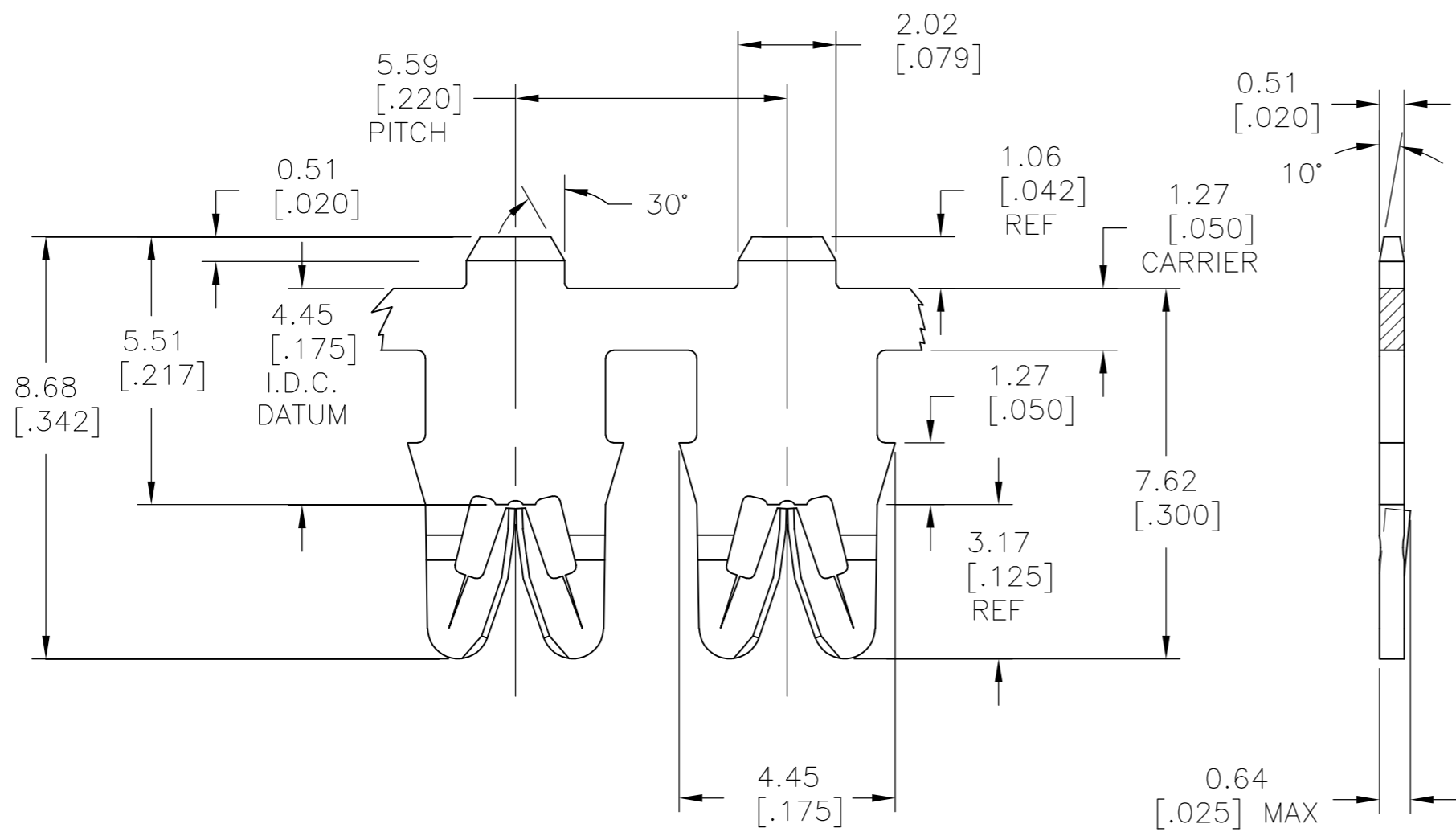


THIS DRAWING IS UNPUBLISHED. RELEASED FOR PUBLICATION  
 © COPYRIGHT BY TYCO ELECTRONICS CORPORATION. ALL INTERNATIONAL RIGHTS RESERVED.

LOC		DIST		REVISIONS			
P	LTR	DESCRIPTION		DATE	DWN	APVD	
AF	50	B1	REVISED PER ECR-10-010018		19MAY10	HMR	CJ



NOTE:

1. MAGNET WIRE: #18 - 34 AWG, 1.02[.040] - 0.16[.006] DIA COPPER. OTHER SIZES MAY BE ACCOMMODATED, CONSULT TYCO ELECTRONICS FOR APPROVAL.

2. POCKET RECOMMENDATION: #1601425 EXCEPT ONLY 7.87 [.310] DEEP

TERMINAL APPLICATION TO COMPLY WITH TYCO ELECTRONICS APPLICATION SPECIFICATION 114-13166 FIGURE 7.

OBSOLETE

Pre Tin Plate	031-159-002	4-1601088-2
Pre Tin Plate	131-160-002	2-1601088-2
Pre Tin Plate	131-159-002	1601088-2
FINISH	REFERENCE PART NUMBER	TE PART NUMBER
THIS DRAWING IS A CONTROLLED DOCUMENT.		
DWN J.WELLER 11JAN2002		Tyco Electronics Corporation Harrisburg, PA 17105-3608
CHK M.FEHER 11JAN2002		
APVD K.RANDOLPH 11JAN2002		
PRODUCT SPEC 108-2085		
APPLICATION SPEC		NAME STANDARD RANGE WIRE TO 2.0 x 0.51 TAB SIAMEZE TERMINAL
DIMENSIONS: mm [INCHES]	TOLERANCES UNLESS OTHERWISE SPECIFIED:	SIZE CAGE CODE DRAWING NO RESTRICTED TO
	0 PLC ± -	A2 00779 C=1601088
	1 PLC ± -	SCALE 8:1 SHEET 1 OF 1 REV B1
	2 PLC ± 0.13[.005]	
	3 PLC ± -	
	4 PLC ± -	
	ANGLES ± 2°	
MATERIAL BRASS, SPRING HARD	FINISH SEE TABLE	CUSTOMER DRAWING