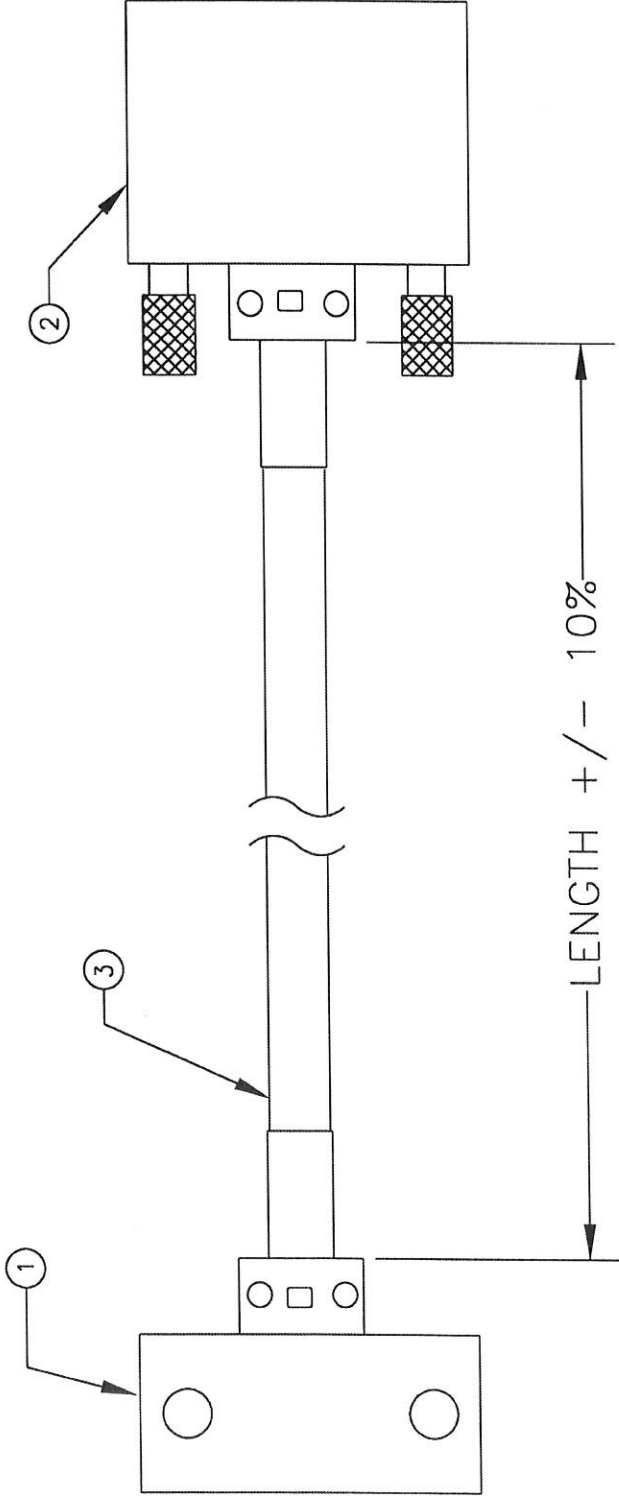


REVISIONS

REV.	DESCRIPTION	DATE	CMPLT. BY	APPRV.



PARTS LIST

BUB. #	DESCRIPTION	QTY.
1	V.35 RIGHT-ANGLE CONN. HOUSING MALE	1
2	V.35 STRAIGHT CONNECTOR HOUSING FEMALE	1
3	CABLE 40-COND 22AWG	A/R

CATALOG #	LENGTH
998546	1.0m
998547	2.0m

TITLE

FIM CBL FBM01 RA ST

CAT. VARIOUS  
NO. DRWN SB  
BY APPROVED  
*PSA*

REL. DATE  
1/12/99



**Weidmüller**  
WEIDMÜLLER INC.  
821 SOUTHLAKE BLVD.  
RICHMOND, VIRGINIA 23236

DISTRIBUTION:  P/N  DWG.  PROD.  INSP.  OTHER

TOLERANCE ON :

.x = +/- 0.508 mm  
.xx = +/- 0.254 mm  
.xxx = +/- 0.127 mm  
.4 = +/- .30

UNLESS OTHERWISE SPECIFIED ALL DIMENSIONS ARE IN MILLIMETERS  
( ) INDICATES REFERENCE DIMENSIONS

PROPRIETARY RIGHTS :

THIS DOCUMENT INCLUDES DESIGN AND ENGINEERING CONCEPTS, DRAWINGS, DATA, AND CONFIDENTIAL INFORMATION OF WEIDMÜLLER INC. AND THIS DOCUMENT OR ITS CONTENTS MAY NOT BE DISCLOSED TO OTHERS, REPRODUCED, COPIED, OR USED WITHOUT WRITTEN AUTHORITY FROM WEIDMÜLLER INC. IN RICHMOND, VIRGINIA.

SIZE: A SHEET 1 OF 2

SCALE: DO NOT SCALE

PRODUCTION RELEASE PAGE 2

DRAWING NUMBER 1100475  
REV. 0