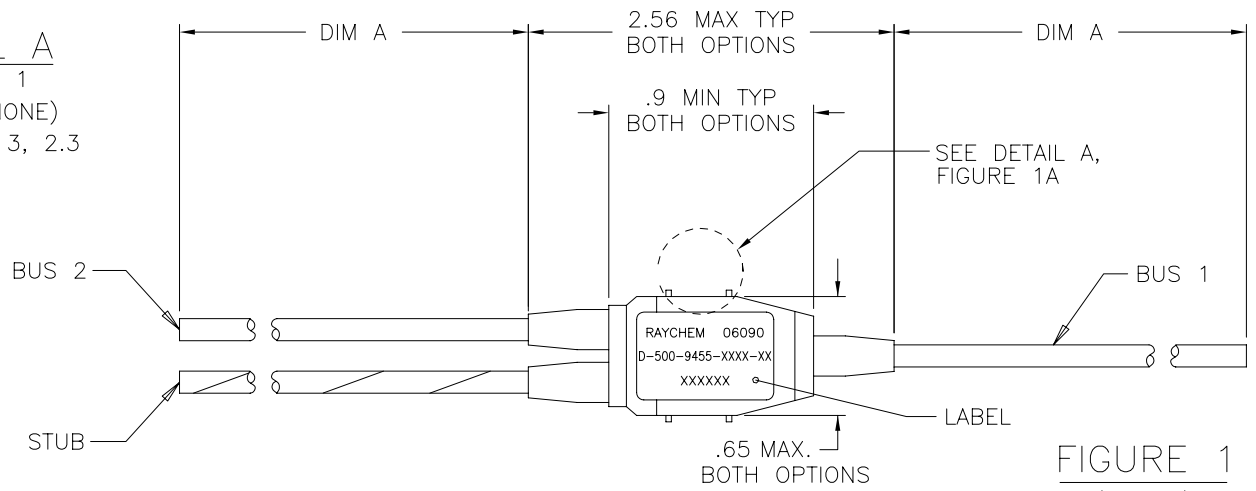
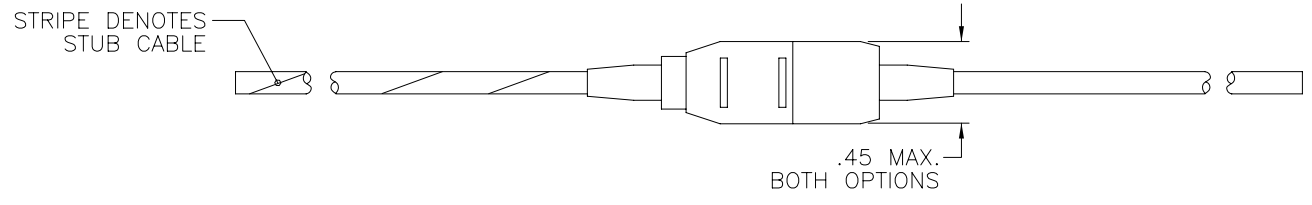


REVISIONS			
LTR	DESCRIPTION	DATE	APPROVED
C	REVISED DWG PER DCR No. C070005	1/10/07	GMR

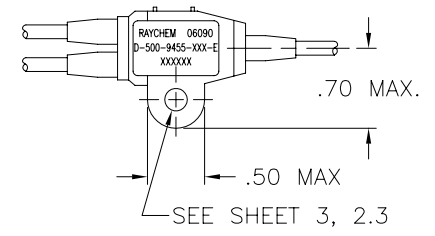
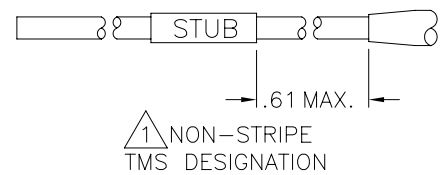
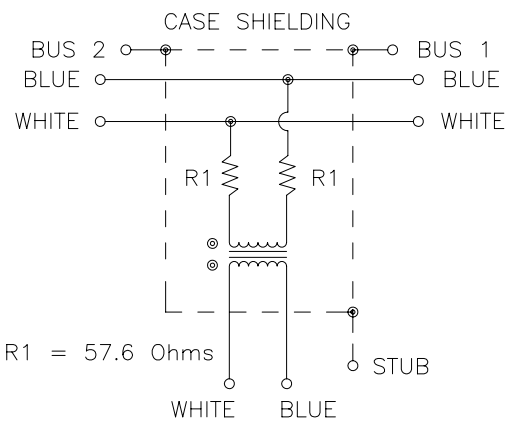
**DETAIL A**  
OPTION 1  
(SCALE: NONE)  
SEE SHEET 3, 2.3



**FIGURE 1**  
(SINGLE)  
D-500-9455-XXXX-XX



**SINGLE STUB COUPLER SCHEMATIC**  
(BOTH FIGURE 1 AND FIGURE 1A)

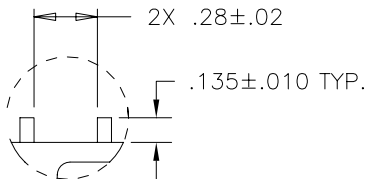


**FIGURE 1A**  
OPTION 2  
(SCALE: NONE)  
D-500-9455-XXX-E

If this document is printed it becomes uncontrolled. Check for the latest revision

**SPECIFICATION CONTROL DRAWING**  
© 2007 Tyco Electronics Corporation. All Rights Reserved.

UNLESS OTHERWISE SPECIFIED DIMENSIONS ARE IN INCHES. METRIC DIMENSIONS ARE IN BRACKETS.	DRAWN	J.B.K.	92DEC18	<b>tyco</b> <b>Electronics</b>	Tyco Electronics 300 CONSTITUTION DRIVE MENLO PARK, CALIFORNIA 94025 USA		<i>Raychem</i>	
	MATERIAL:	/			TITLE			
DECIMALS .XXX ± — { — mm } .XX ± — { — mm }	FINISH:	/			MICRO IN-LINE DATA BUS COUPLER			
ANGLES .X — ± —	CAD NAME	C070005A						
WEIGHT — g { — lbs }	THIRD ANGLE PROJECTION				SIZE	CODE IDENT. NO.	DWG. NO.	REV
					A	06090	D-500-9455-XXXX-XX	C
					DO NOT SCALE THIS DRAWING			SHEET 1 OF 4



DETAIL B

(SCALE: NONE)

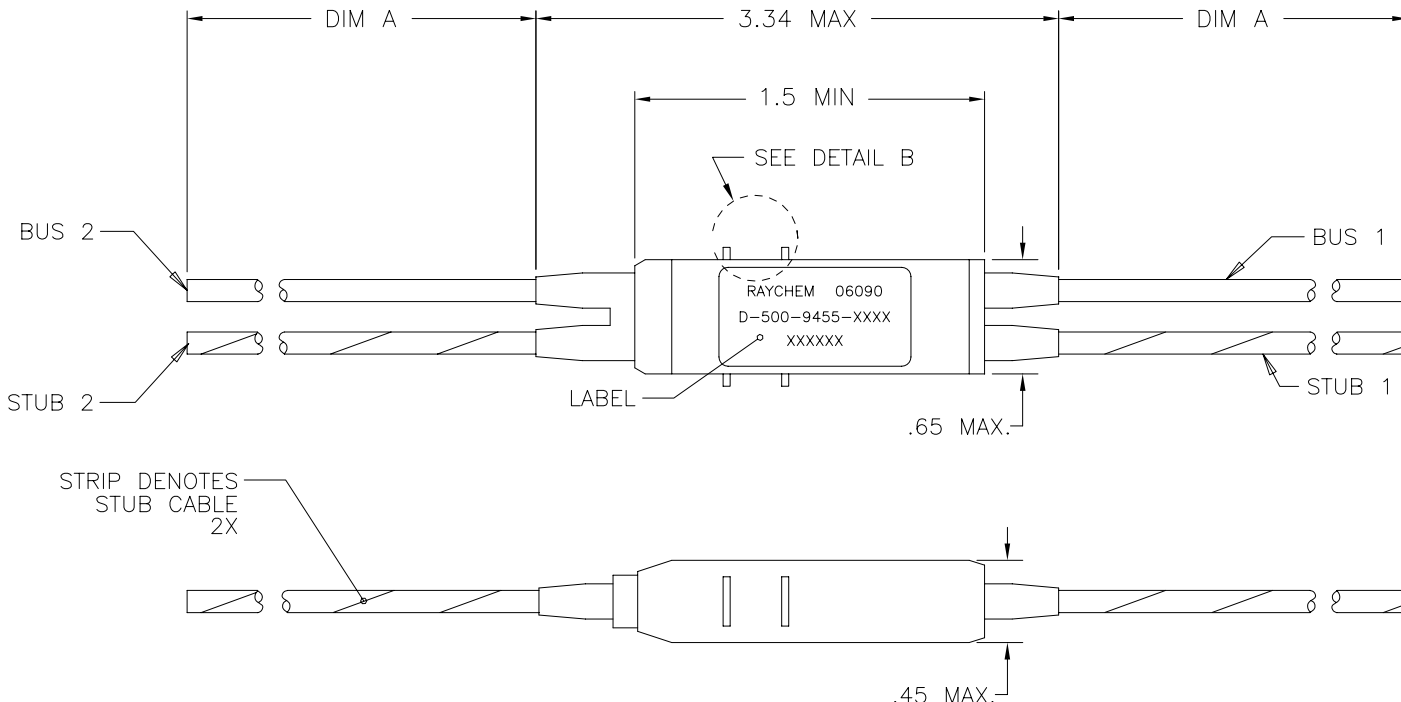
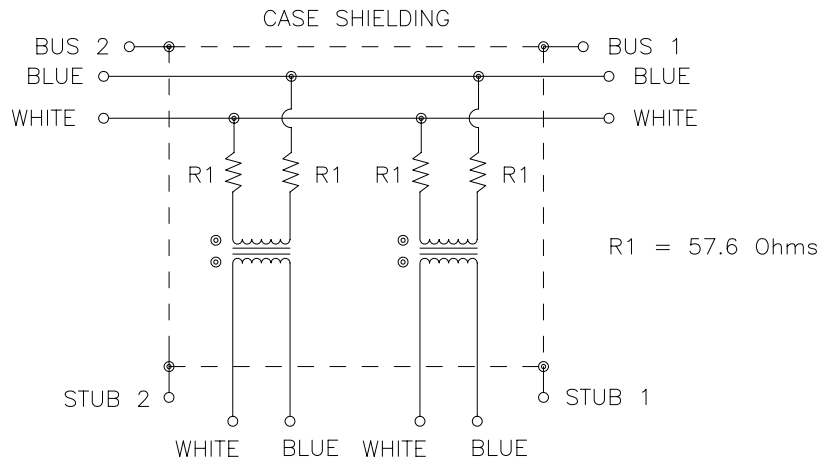
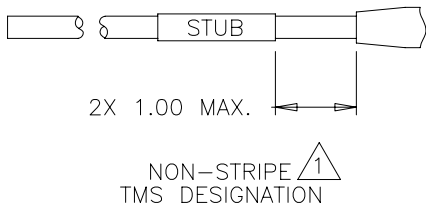


FIGURE 2

(DOUBLE)

D-500-9455-XXXX

DOUBLE STUB COUPLER SCHEMATIC



SPECIFICATION CONTROL DRAWING

© 2007 Tyco Electronics Corporation. All Rights Reserved.

DRAWN J.B.K.	DATE 92DEC18	SIZE A	CODE IDENT. NO. 06090	DWG. NO. D-500-9455-XXXX-XX	REV C
CAD FILE C070005B			DO NOT SCALE THIS DRAWING		SHEET 2 OF 4

1. MATERIAL AND FINISHES:

- 1.1 SHIELDED CASE: ALUMINUM PER ASTM-B618.
- 1.2 SEALED STRAIN RELIEF COVER: MODIFIED CROSS-LINKED ELASTOMER, BLACK, TO RAYCHEM SPECIFICATION RK-6713.
- 1.3 CABLE (SEE CABLE TABULATION, SHEET 4 OF 4). TO RAYCHEM SPECIFICATION 1200.
- ① 1.4 TMS CABLE MARKER: POLYOLEFIN HEAT SHRINKABLE SLEEVE PER RAYCHEM RT-1805.

2. APPLICATION:

- 2.1 THE MICRO IN-LINE COUPLERS ARE DESIGNED TO BE INSTALLED INTO A DIGITAL MULTIPLEX ASSEMBLY MEETING THE REQUIREMENTS OF MIL-STD-1553B.
- 2.2 FOR SYSTEM LAYOUT REQUIREMENTS CONSULT RAYCHEM TECHNICAL SERVICES.
- 2.3 MOUNTING OPTIONS:
  - OPTION 1 TIE INTO HARNESS, PROVIDES TIE DOWN TAB GUIDES PER DETAIL A
  - OPTION 2 SECURE TO BULKHEAD (FIGURE 1A), A SIZE 10 MOUNTING HOLE ( $\phi.218\pm.003$ ) IS PROVIDED IN A MOLDED EYELET. THE SUFFIX "E" DENOTES EYELET.
- 2.3.1 THE DOUBLE STUB COUPLER IS MOUNTED PER OPTION 1 ABOVE.

3. TEMPERATURE:

- 3.1 OPERATING TEMPERATURE: -55°C TO +150°C

4. PERFORMANCE SPECIFICATIONS:

- 4.1 INSTALLED COUPLER MEETS THE PERFORMANCE REQUIREMENTS OF MIL-STD-1553B AND RAYCHEM SPECIFICATION D-6020.
- 4.2 FOR FURTHER REQUIREMENTS AND SPLICE KIT INFORMATION SEE D-500-9455 SCD.

5. WEIGHT:


- 5.1 MAXIMUM WEIGHT WITHOUT CABLE:
  - 10 GRAMS MAX. (SINGLE - MOUNTING OPTION 1)
  - 12 GRAMS MAX. (SINGLE - MOUNTING OPTION 2)
  - 18 GRAMS MAX. (DOUBLE)

6. ORDERING INFORMATION:

ORDER PER TABULATION. (SEE SHEET 4 OF 4) If this document is printed it becomes uncontrolled. Check for the latest revision  
CABLE SPLICE KITS TO BE ORDERED SEPARATELY.  
SPECIFY CERTIFICATION OF CONFORMANCE REQUIREMENTS AS SEPARATE LINE ITEM.

## SPECIFICATION CONTROL DRAWING

© 2007 Tyco Electronics Corporation. All Rights Reserved.

DRAWN	J.B.K.	DATE	92DEC18	SIZE	CODE IDENT. NO.	DWG. NO.	REV
CAD FILE	C070005C			A	06090	D-500-9455-XXXX-XX	C
DO NOT SCALE THIS DRAWING						SHEET 3 OF 4	

NOTES:

△ 1 STUB(S) WITHOUT A STRIPE DESIGNATOR WILL BE CALLED OUT BY "STUB" ON A TMS MARKER.


TABULATION

COUPLER (SINGLE)	PCN NO.	CABLE	DIM. A MIN.	COUPLER (DOUBLE)	PCN NO.	CABLE	DIM. A MIN.
D-500-9455-1022	101895	10612	78.0	D-500-9455-1222	062855	10612	78.0
D-500-9455-022-E	547903	10612	78.0				
D-500-9455-022-E-6M	368283	10612	236.0				
D-500-9455-1022-6M	305951	10612	236.0				
D-500-9455-1023	100223	10613	78.0	D-500-9455-1223	738853	10613	78.0
D-500-9455-023-E	252427	10613	78.0				
D-500-9455-1023-6M	896235	10613	236.0				
D-500-9455-1024	857523	10614	78.0	D-500-9455-1224	185601	10614	78.0
D-500-9455-024-E	063861	10614	78.0				
D-500-9455-1024-6M	587863	10614	236.0				

If this document is printed it becomes uncontrolled. Check for the latest revision

SPECIFICATION CONTROL DRAWING

© 2007 Tyco Electronics Corporation. All Rights Reserved.

DRAWN J.B.K.	DATE 92DEC18	SIZE A	CODE IDENT. NO. 06090	DWG. NO. D-500-9455-XXXX-XX	REV C
CAD FILE C070005D			DO NOT SCALE THIS DRAWING		SHEET 4 OF 4