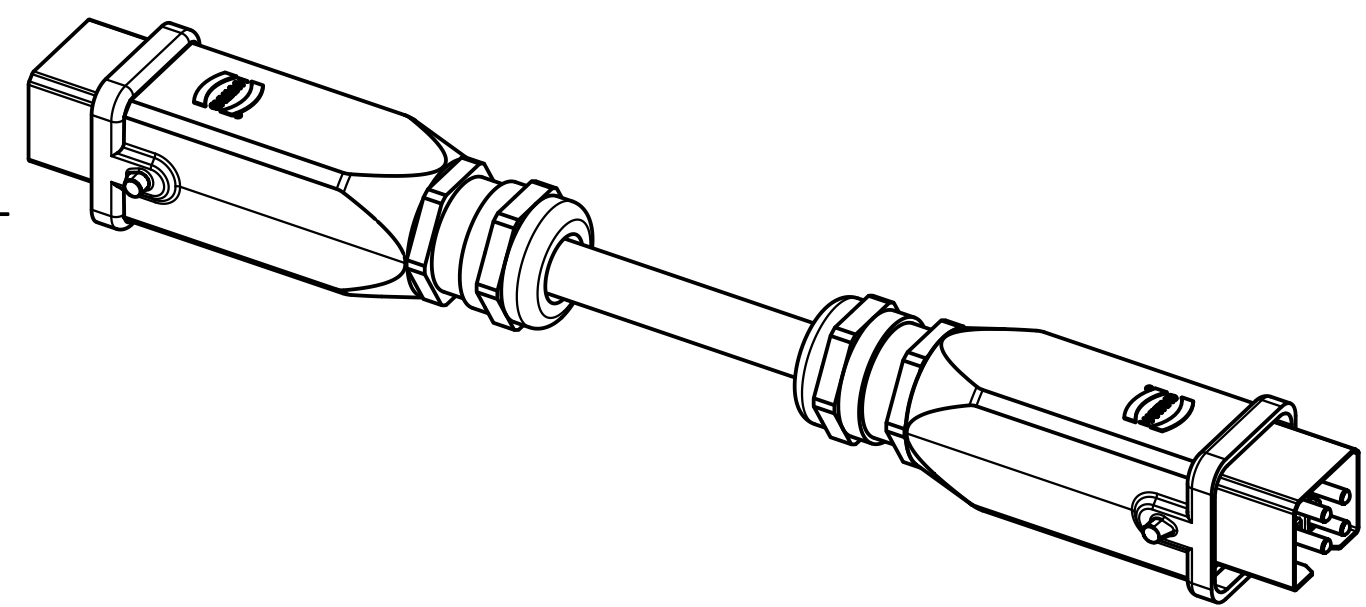
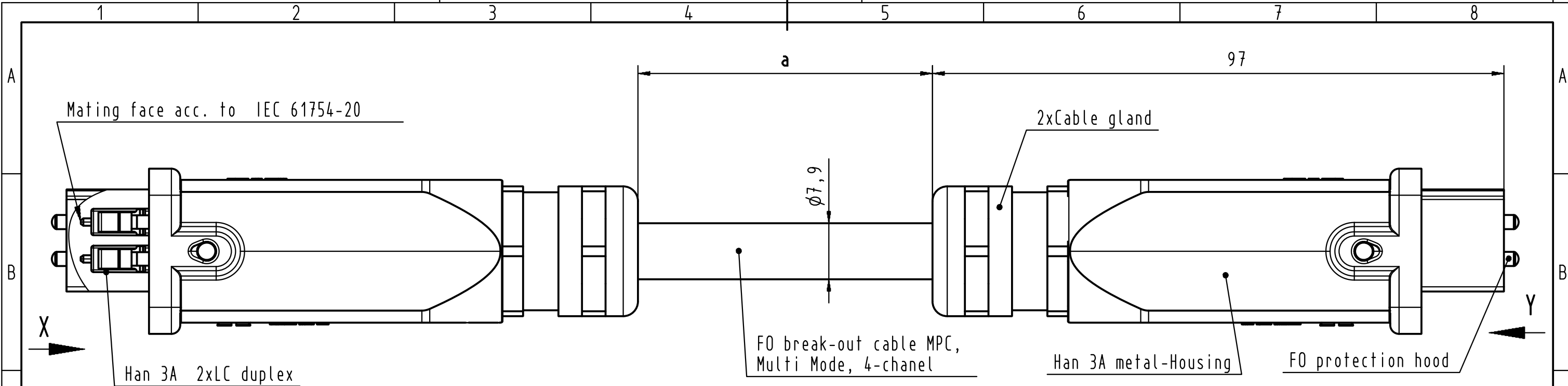
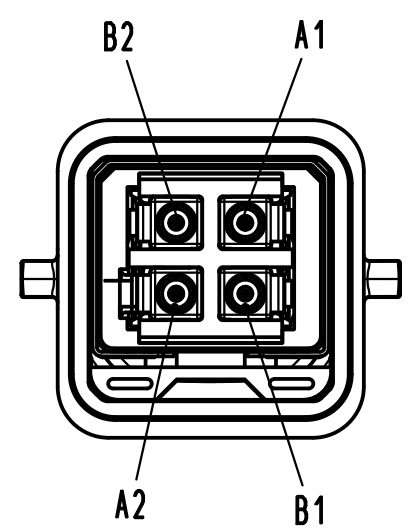


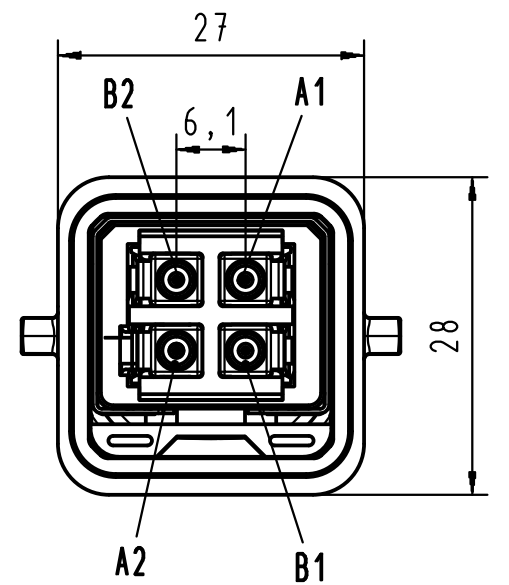
Alle Rechte vorbehalten/ All rights reserved



X
(without protection hood)



Y
(without protection hood)



Loading plan

A1	gray 1 (interior-blue)	B2
B1	gray 2 (interior-orange)	A2
A2	gray 3 (interior-green)	B1
B2	gray 4 (interior-brown)	A1

For Information Only
won't be replaced when changed

-Protection level: IP67/65
-Temperature range: -30°C ...+70°C

9	FO break-out cable MPC, MM, 4-chanel	33 54 211 300 0002	300 m
8	FO break-out cable MPC, MM, 4-chanel	33 54 211 100 0002	100 m
7	FO break-out cable MPC, MM, 4-chanel	33 54 211 060 0002	60 m
6	FO break-out cable MPC, MM, 4-chanel	33 54 211 050 0002	50 m
5	FO break-out cable MPC, MM, 4-chanel	33 54 211 040 0002	40 m
4	FO break-out cable MPC, MM, 4-chanel	33 54 211 020 0002	20 m
3	FO break-out cable MPC, MM, 4-chanel	33 54 211 010 0002	10 m
2	FO break-out cable MPC, MM, 4-chanel	33 54 211 005 0002	5 m
1	FO break-out cable MPC, MM, 4-chanel	33 54 211 001 0002	1 m

Cont No.	Type of cable	Part-No.	Dim. a
----------	---------------	----------	--------

All Dimensions in mm Original Size DIN A 3	Techn. Character.			Nicht tolerierte Maß/Free size tolerances	
		Dat.	Name	Maßstab/Scale	
	Detail.	14.10.09	MS	Fiber optic cable assembly 2xHan 3A 2xLC DUPLEX, metal Multi Mode, 50 µm	
	Insp.	14.10.09	RA		
	Stand.				
DRS557A	HARTING Electronics GmbH & Co. KG				TB 33 54 211 xxx 0002
Mod.	Dat.	Name	D-32339 ESPELKAMP		
				Sub.	Sub