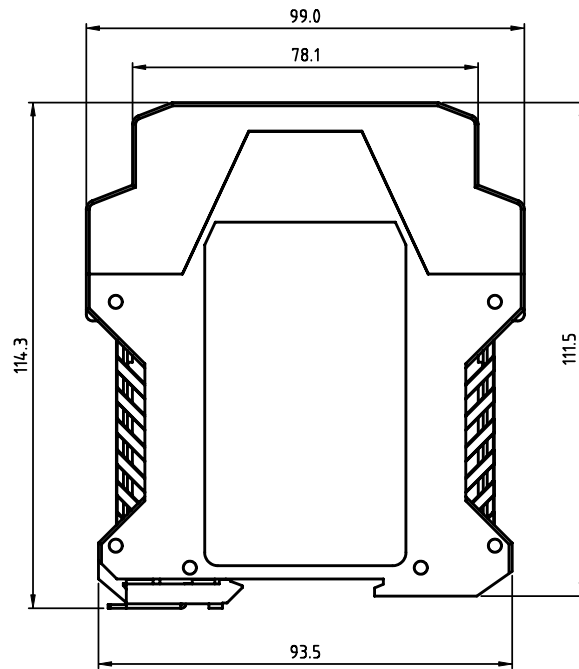
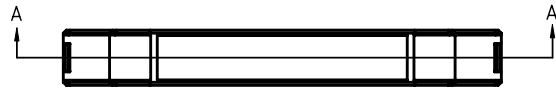
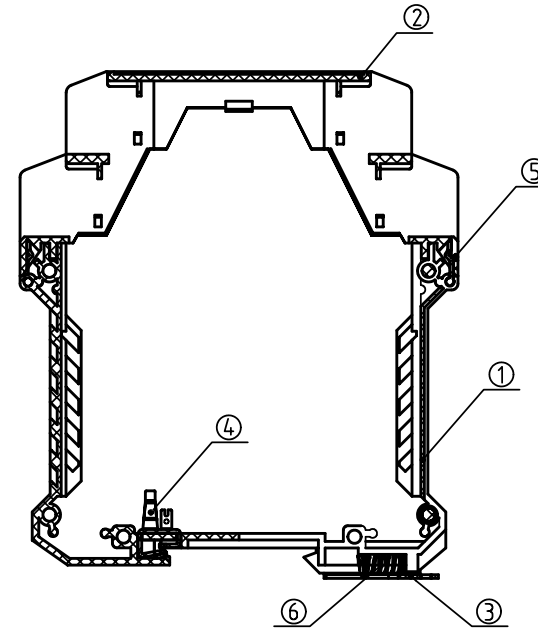


PRODUCT NUMBER	PITCH
AN02005000J0G	NA

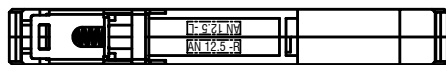


Material:

- Item ① Terminal body: Thermoplastic (UL94 V-0) Color: Green(RAL6018/T)
- Item ② Terminal cover: Thermoplastic (UL94 V-0) Color: Green(RAL6018/T)
- Item ③ Dinrail wire guard: Steel Zinc plated
- Item ④ Contacts: PhBz Tin plated
- Item ⑤ Terminal card: Thermoplastic (UL94 V-0) Color: Green(RAL6018/T)
- Item ⑥ Spring: Stainless steel



SECTION A-A



mat'l. code		surface ASME Y14.5	tolerance ASME Y14.5	projection 	product family TERMINAL BLOCK	
ltr	ecn	no	dr	date	title TERMINAL BLOCK	
					ACCESSORIES, MATCH WITH EU 2P(RIGHT AND LEFT)	
					scale	
					dwg no AN02005000J0G	
					sheet 1 of 1 size A4	
					type CUSTOMER Drawing	
sheet index	revision	A		1		