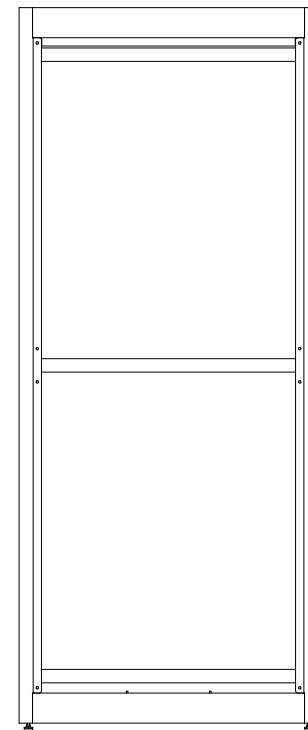
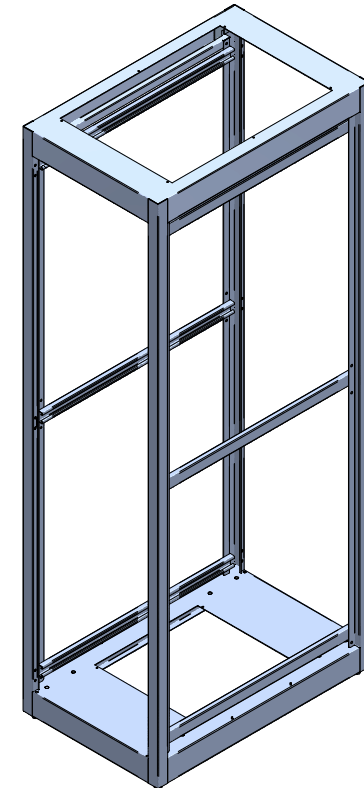


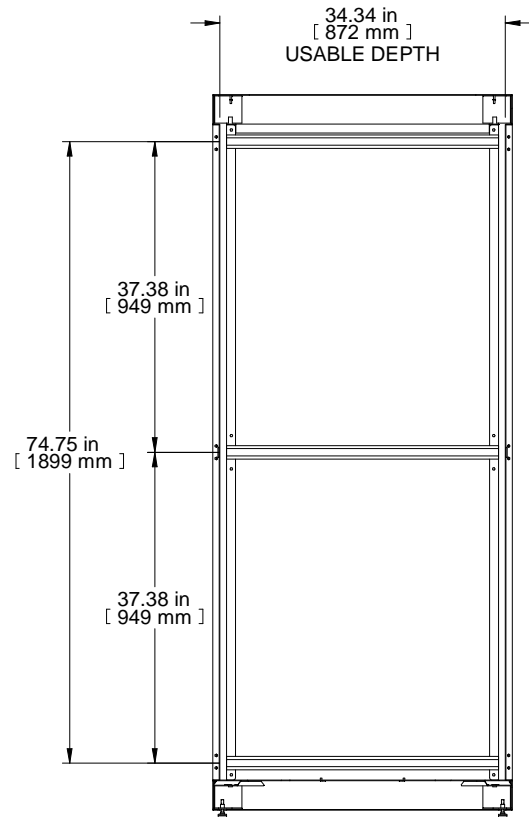
TOP VIEW  
TOP OPENING  
36.00 in  
[ 914 mm ]



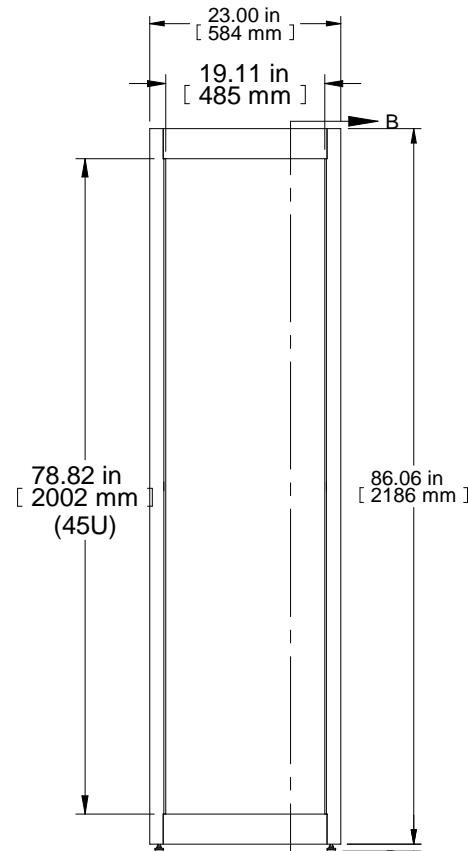
R.S. VIEW



ISOMETRIC

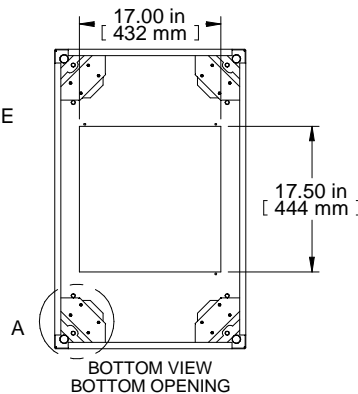
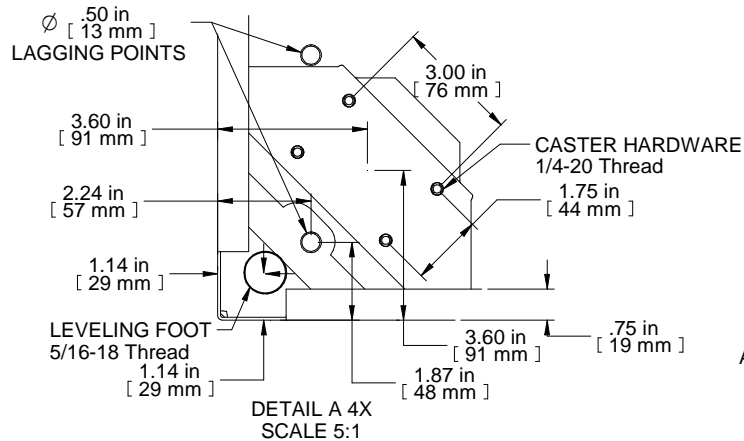


SECTION B-B



FRONT VIEW

.85 in  
[ 22 mm ]



BOTTOM VIEW  
BOTTOM OPENING

| PART NUMBER.   |   |
|--|---|
| C2F197836 BK1  | PAINTED BLACK TEXTURE   |
| C2F197836 LG1  | PAINTED LIGHT GRAY TEXTURE  |
| NOTES  |   |
| - Material 14 GA. Steel Welded Assembly  |   |
| - See Hammond Website for Frame Accessories.   |   |
| Français   |   |
| Pour tous les détails sur nos produits, svp veuillez consulter notre site <a href="http://www.hammondmfg.com">www.hammondmfg.com</a> |   |
| Data subject to change without notice. Isometric drawing not to scale.<br>Les données sont sujettes à changement sans préavis.       |   |
|   | <b>HAMMOND<br/>MANUFACTURING.</b><br><a href="http://www.hammondmfg.com">www.hammondmfg.com</a> |
| PART NO. C2F197836   |   |