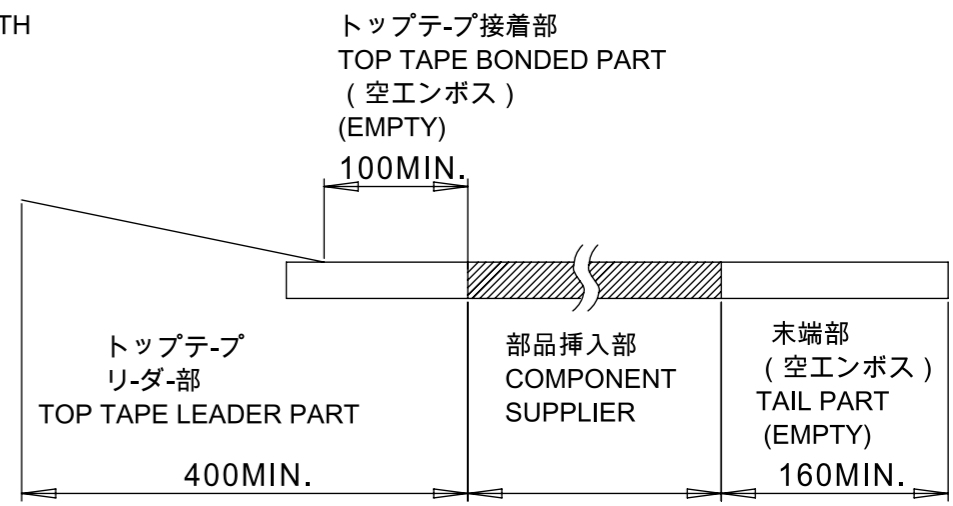


NOTES

- 梱包数量 : 900 個 / リール
NUMBER OF CONNECTORS: 900 PCS/REEL
- リードテープ長さ
LEAD TAPE LENGTH

引き出し方向
PULL OUT DIRECTION



3. 製品詳細寸法については図面 SD-501864-008を参照下さい。
RE DETAILED DIMENSION, SEE SD-501864-008.

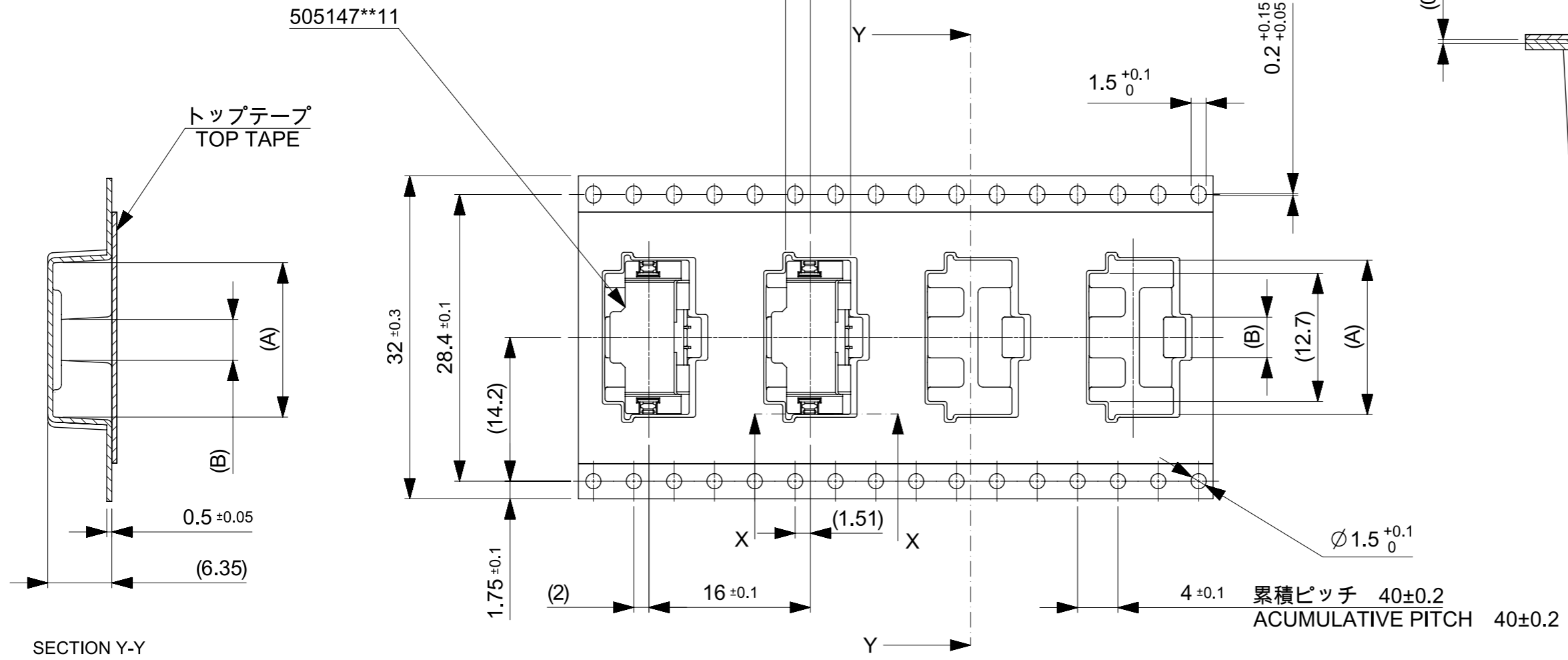
4. 材料(MATERIAL)
キャリアテープ(CARRIER TAPE) : ポリスチレン(POLYSTYRENE)
トップテープ(TOP TAPE) : PET, PE, PE
リール(REEL) : ポリスチレン(POLYSTYRENE)

5. カバーテープの剥離強度については、IEC60286-3に準拠
COVER TAPE PEEL FORCE IS DEFINED BY IEC60286-3.

6. ELV及びRoHS適合品
ELV AND RoHS COMPLIANT

THIS DRAWING CONTAINS INFORMATION THAT IS PROPRIETARY TO MOLEX ELECTRONIC TECHNOLOGIES, LLC AND SHOULD NOT BE USED WITHOUT WRITTEN PERMISSION												
QUALITY SYMBOLS	EC NO: 102004	DRWN: AISHII	CHK'D: KTAKAHASHI	APPR: YNOGAWA	GENERAL TOLERANCES (UNLESS SPECIFIED)		DIMENSION UNITS	SCALE				
					ANGULAR TOL ± 0.1 °		MM	2:1				
▽A = 0	A	REV	2015/10/29	2015/12/03	2015/12/04	4 PLACES ± 0.03	DRWN BY	DATE	EMBSTP PKG FOR 2.0 FPC TO BOARD RA TYPE			
▽E = 0						AISHII	2015/10/29					
▽F = 0						3 PLACES ± 0.03	CHK'D BY	DATE				
▽ = 0						2 PLACES ± 0.05	KTAKAHASHI	2015/12/03				
▽C = 0						1 PLACE ± 0.1	APPR BY	DATE	PRODUCT CUSTOMER DRAWING			
▽ = 0						0 PLACES ± 0.2	YNOGAWA	2015/12/04	SERIES	MATERIAL NUMBER	CUSTOMER	
▽ = 0	DRAFT WHERE APPLICABLE MUST REMAIN WITHIN DIMENSIONS		DRAWING SIZE	THIRD ANGLE PROJECTION	505147		GENERAL					
▽ = 0			A3		DOCUMENT NUMBER	DOC TYPE	DOC PART	SHEET NUMBER				
					5051470000	PSD	000	1 OF 2				

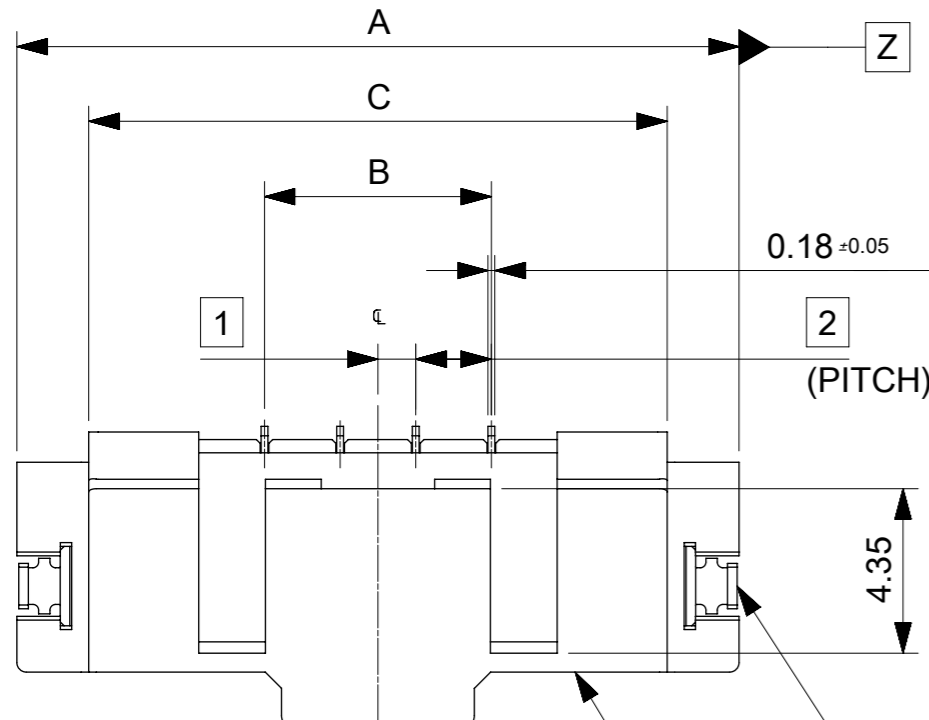
引き出し方向
PULL OUT DIRECTION



32mm幅キャリアテープ
32mm WIDTH CARRIER TAPE

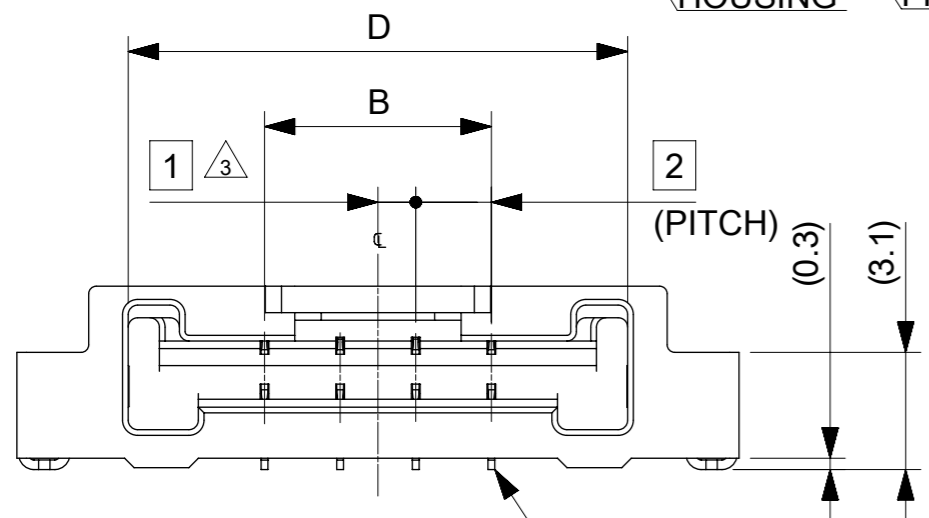
32	33.4	8.0	19.3	5051470490	4
		6.0	17.3	5051470390	3
		4.0	15.3	5051470290	2
キャリアテープ幅 CARRIER TAPE WIDTH	C	B	A	オーダー番号 ORDER NO.	極数 CKT

<p>QUALITY SYMBOLS</p> <p>▽A = 0</p> <p>▽E = 0</p> <p>▽F = 0</p> <p>▼ = 0</p> <p>▽C = 0</p> <p>⊗ = 0</p> <p>■ = 0</p> <p>▽ = 0</p>						<p>THIS DRAWING CONTAINS INFORMATION THAT IS PROPRIETARY TO MOLEX ELECTRONIC TECHNOLOGIES, LLC AND SHOULD NOT BE USED WITHOUT WRITTEN PERMISSION</p>											
<p>EC NO: 102004</p> <p>DRWN: AISHII</p> <p>CHK'D: KTAKAHASHI</p> <p>REV APPR: YNOGAWA</p>		<p>2015/10/29</p> <p>2015/12/03</p> <p>2015/12/04</p>		<p>GENERAL TOLERANCES (UNLESS SPECIFIED)</p> <p>ANGULAR TOL ± 0.1 °</p> <p>4 PLACES ± 0.03</p> <p>3 PLACES ± 0.03</p> <p>2 PLACES ± 0.05</p> <p>1 PLACE ± 0.1</p> <p>0 PLACES ± 0.2</p>		<p>DIMENSION UNITS</p> <p>MM</p>		<p>SCALE</p> <p>2:1</p>		<p>molex</p> <p>EMBSTP PKG FOR 2.0 FPC TO BOARD RA TYPE</p>							
<p>DRAFT WHERE APPLICABLE MUST REMAIN WITHIN DIMENSIONS</p>		<p>DRAWING SIZE</p> <p>A3</p>		<p>THIRD ANGLE PROJECTION</p>		<p>DRWN BY</p> <p>AISHII</p>		<p>DATE</p> <p>2015/10/29</p>				<p>PRODUCT CUSTOMER DRAWING</p>					
<p>CHK'D BY</p> <p>KTAKAHASHI</p>		<p>DATE</p> <p>2015/12/03</p>		<p>APPR BY</p> <p>YNOGAWA</p>		<p>DATE</p> <p>2015/12/04</p>		<p>SERIES</p> <p>505147</p>						<p>MATERIAL NUMBER</p> <p>SEE CHART</p>		<p>CUSTOMER</p> <p>GENERAL</p>	
<p>RELEASE STATUS</p> <p>P1</p>				<p>RELEASE DATE</p> <p>04.12.2015 00:37:20</p>				<p>DOCUMENT NUMBER</p> <p>5051470000</p>				<p>DOC TYPE</p> <p>PSD</p>		<p>DOC PART</p> <p>000</p>		<p>SHEET NUMBER</p> <p>2 OF 2</p>	

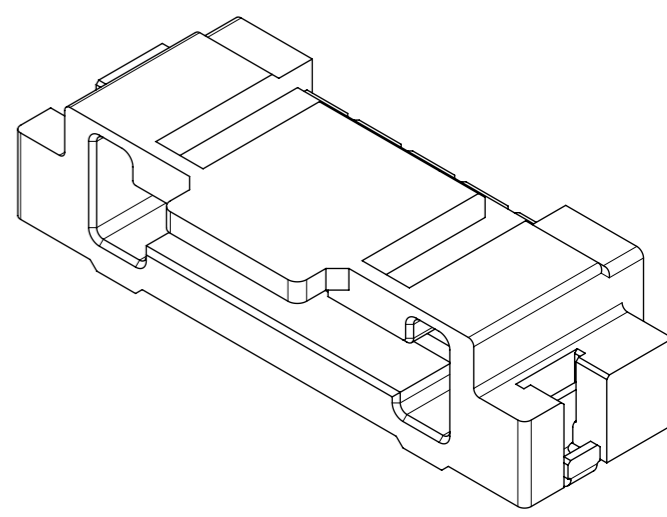
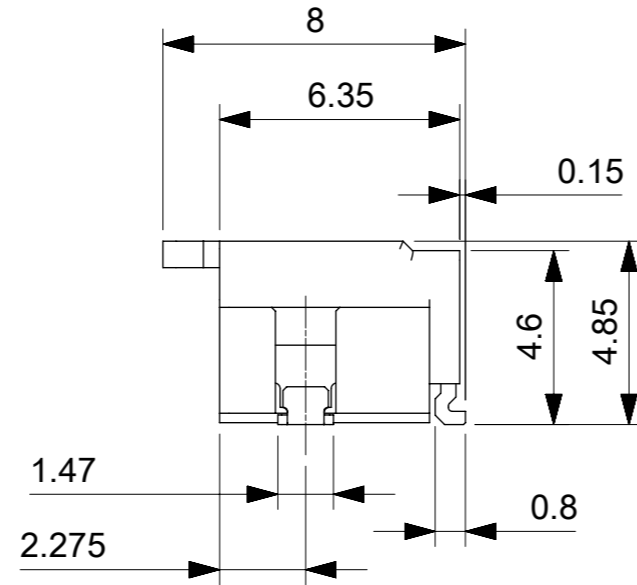
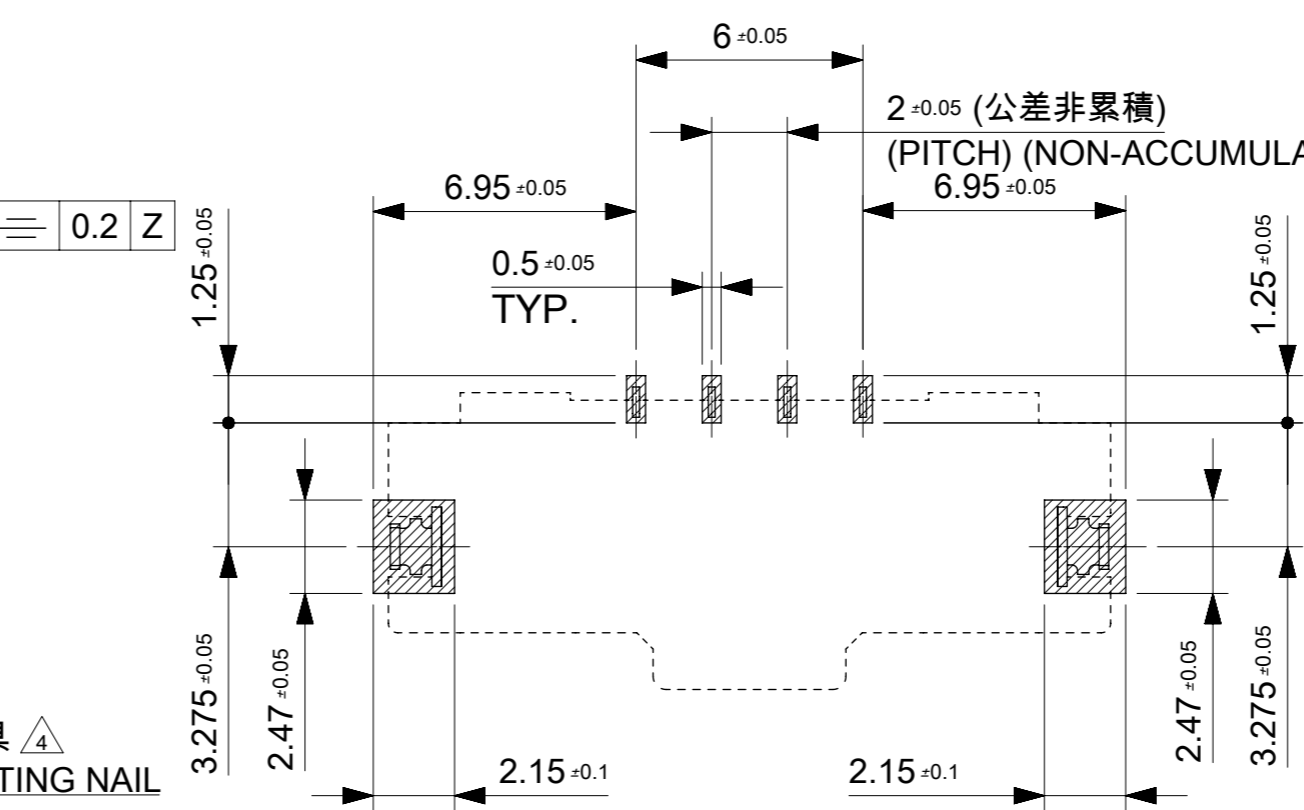


ハウジング
HOUSING

金具
FITTING NAIL



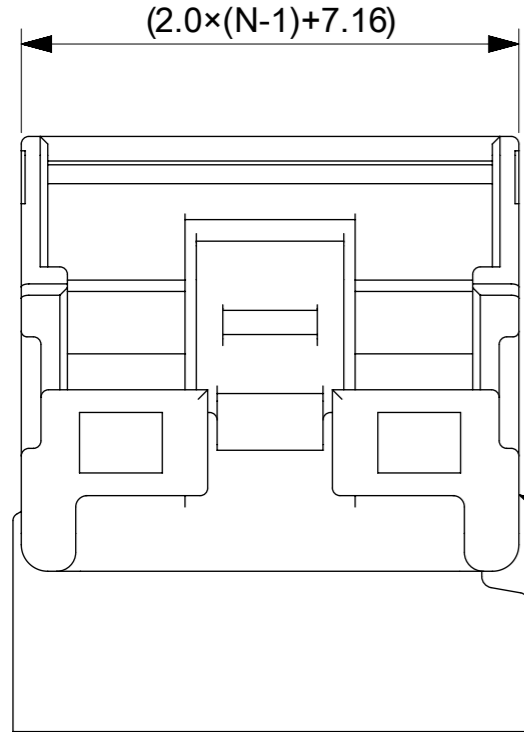
ターミナル
TERMINAL



13.21	15.3	6.0	19.1	5051470490	4
11.21	13.3	4.0	17.1	5051470390	3
9.21	11.3	2.0	15.1	5051470290	2
D	C	B	A	EMBOSSED PACKAGE	極数
オーダー番号 ORDER NO.					CIRCUITS
CONNECTOR SERIES NO. 505147**11					

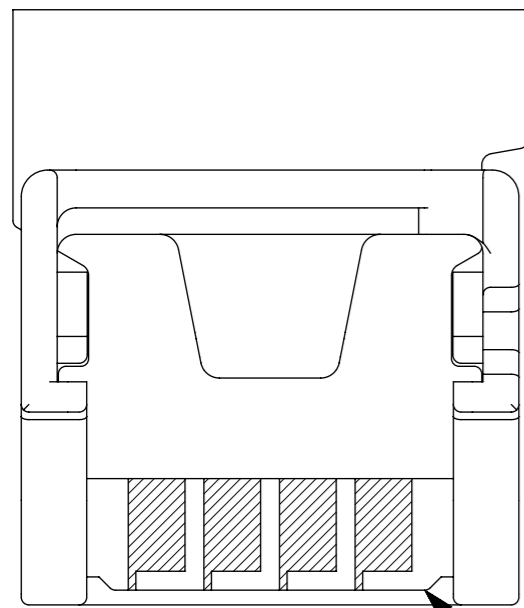
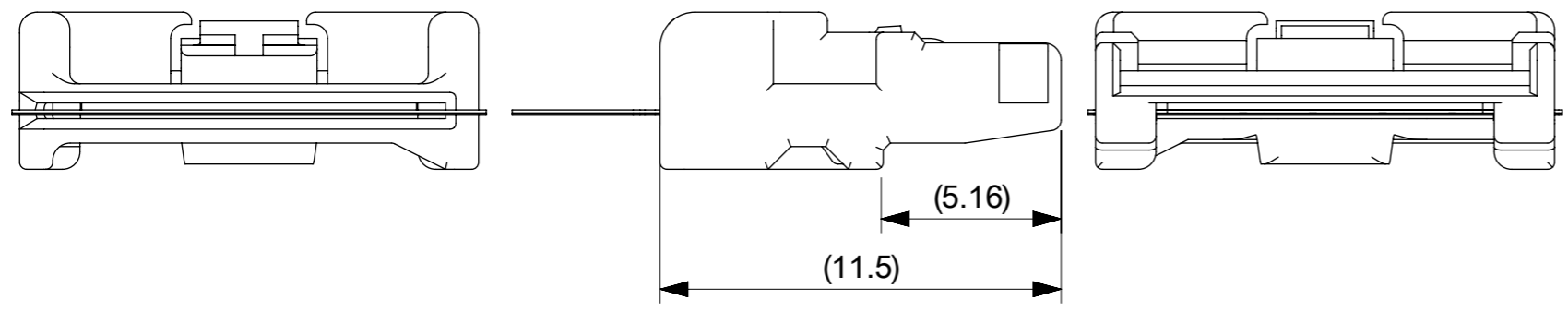
THIS DRAWING CONTAINS INFORMATION THAT IS PROPRIETARY TO MOLEX ELECTRONIC TECHNOLOGIES, LLC AND SHOULD NOT BE USED WITHOUT WRITTEN PERMISSION

EC NO: 104966 DRWN: AISHII CHK'D: KTAKAHASHI APPR: TKUSUHARA01	2016/05/10	2016/05/13	2016/05/13	GENERAL TOLERANCES (UNLESS SPECIFIED) ANGULAR TOL ± 3.0 ° 4 PLACES ± 0.2 3 PLACES ± 0.2 2 PLACES ± 0.2 1 PLACE ± 0.2 0 PLACES ± 0.2 DRAFT WHERE APPLICABLE MUST REMAIN WITHIN DIMENSIONS	DIMENSION UNITS	SCALE			
					MM	5:1			
					DRWN BY	DATE		AISHII	2015/10/21
					CHK'D BY	DATE		KTAKAHASHI	2015/12/03
					APPR BY	DATE	YNOGAWA	2015/12/04	
					DRAWING SIZE	THIRD ANGLE PROJECTION			
					A3				
PRODUCT CUSTOMER DRAWING		SERIES	MATERIAL NUMBER	CUSTOMER					
		505147	SEE CHART	GENERAL					
DOCUMENT NUMBER		DOC TYPE	DOC PART	SHEET NUMBER					
5051471000		PSD	000	1 OF 3					



参考 プラグコネクタ
REFERENCE PLUG CONNECTOR

△5 プラグジャケット
PLUG JACKET

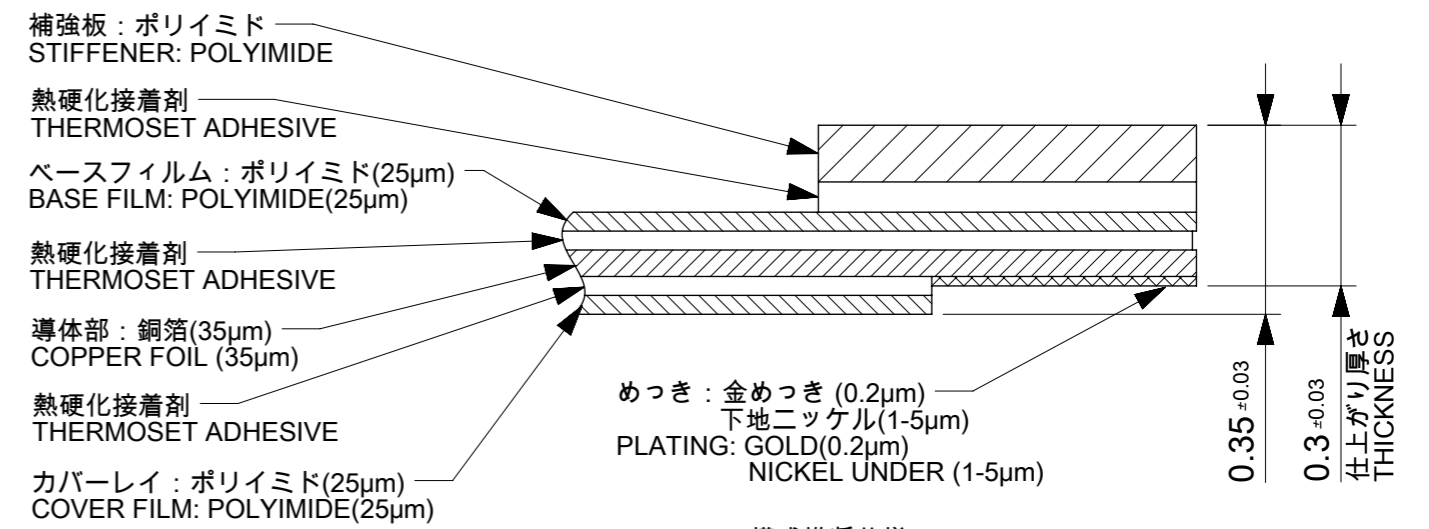
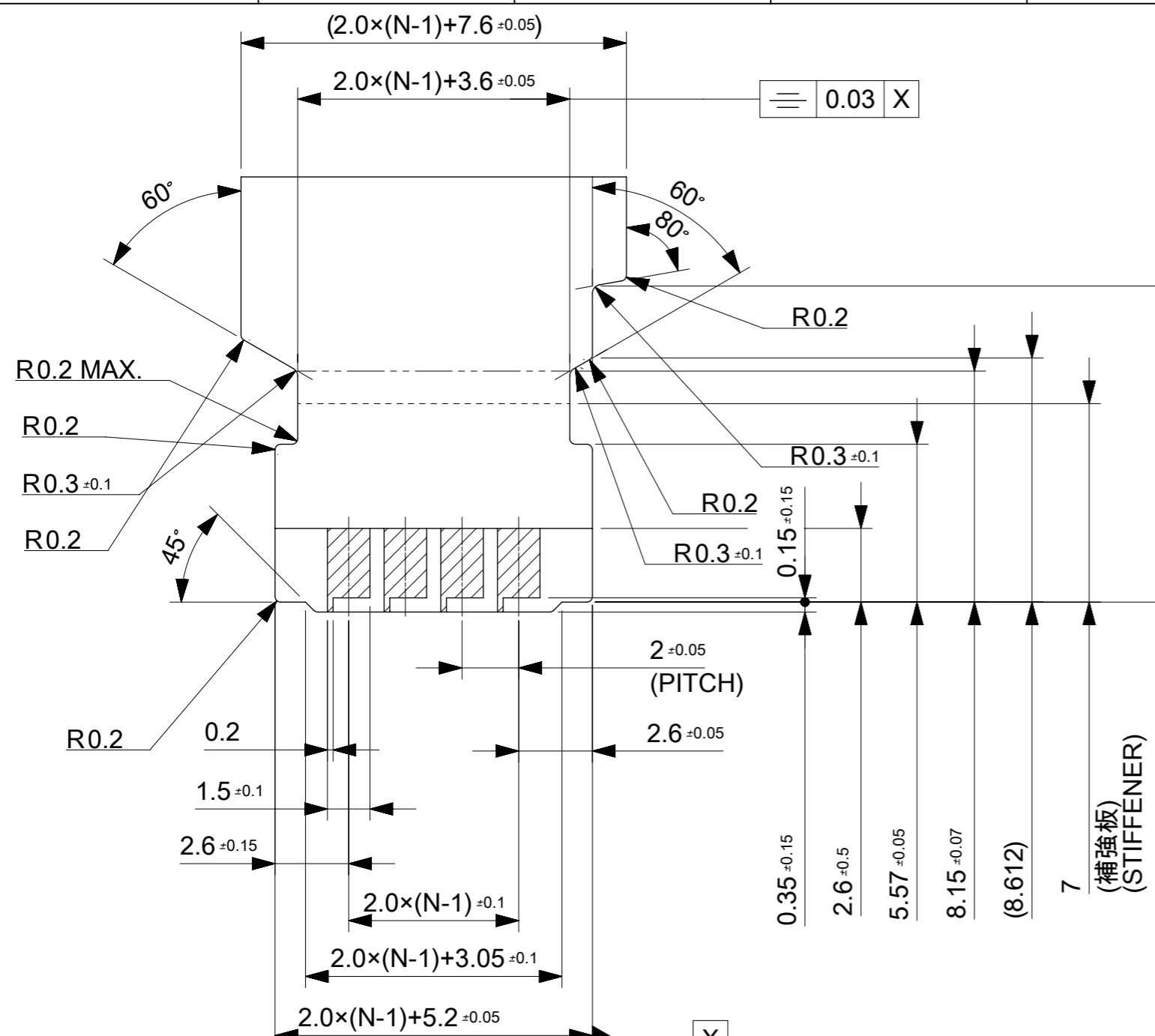


FPC

注記 NOTES

1. 使用材料 MATERIAL
ハウジング : 液晶ポリマー(LCP), ガラス充填
UL94V-0, 色 ; 黒色
HOUSING : LIQUID CRYSTAL POLYMER(LCP), GLASS FILLED
UL94V-0, COLOR; BLACK
ターミナル : 銅合金(t=0.18)
TERMINAL : COPPER ALLOY(t=0.18)
金具 : 銅合金(t=0.25)
FITTING NAIL : COPPER ALLOY(t=0.25)
2. めっき仕様 PLATING
ターミナル TERMINAL
コンタクト部 : 部分金めっき(0.1μm以上)
テール部 : 部分金めっき
下地 : ニッケルめっき(1.0μm以上)
CONTACT AREA : SEPARATED GOLD PLATING
(0.1 MICROMETER MINIMUM)
SOLDER TAIL AREA : SEPARATED GOLD PLATING
UNDERPLATE : NICKEL OVERALL
(1.0 MICROMETER MINIMUM)
金具 FITTING NAIL
錫めっき(1.0μm以上)
下地 : ニッケルめっき(1.0μm以上)
TIN PLATING (0.1 MICROMETER MINIMUM)
UNDERPLATE : NICKEL OVERALL
(1.0 MICROMETER MINIMUM)
- △3 N = 偶数に適用 (N : 極数)
APPLY FOR N=EVEN(N:CIRCUIT)
- △4 パターン剥離止め用金具
FITTING NAIL FOR PREVENTION OF PEELING OF P.C.B PATTERN.
- △5 適合プラグジャケット : 505148**08
製品詳細寸法は5051480000を参照下さい。
APPLICABLE PLUG JACKET:505148**08.
DETAILED DIMENSION, SEE 5051480000.
6. テールと金具を併せた平坦度は0.1mm以下とする。
TAILS AND NAILS COPLANARITY TO BE 0.1mm MAXIMUM.
7. ELV及びRoHS適合品
ELV AND RoHS COMPLIANT.

THIS DRAWING CONTAINS INFORMATION THAT IS PROPRIETARY TO MOLEX ELECTRONIC TECHNOLOGIES, LLC AND SHOULD NOT BE USED WITHOUT WRITTEN PERMISSION										
EC NO: 104966 DRWN: AISHII CHK'D: KTAKAHASHI APPR: TKUSUHARA01	2016/05/10 2016/05/13 2016/05/13		GENERAL TOLERANCES (UNLESS SPECIFIED)		DIMENSION UNITS	SCALE	molex [®]			
			ANGULAR TOL ± 3.0 °		MM	5:1				
			4 PLACES ± 0.2	DRWN BY		DATE		2.0 FPC TO BOARD CONN REC. HSG ASSY(RA)		
			3 PLACES ± 0.2	AISHII		2015/10/21				
			2 PLACES ± 0.2	CHK'D BY		DATE		PRODUCT CUSTOMER DRAWING		
		1 PLACE ± 0.2	KTAKAHASHI		2015/12/03					
		0 PLACES ± 0.2	APPR BY		DATE		SERIES MATERIAL NUMBER CUSTOMER			
		DRAFT WHERE APPLICABLE MUST REMAIN WITHIN DIMENSIONS		YNOGAWA		2015/12/04				
B		REV	A3		DRAWING SIZE	THIRD ANGLE PROJECTION	505147	SEE CHART	GENERAL	
							DOCUMENT NUMBER	DOC TYPE	DOC PART	SHEET NUMBER
							5051471000	PSD	000	2 OF 3

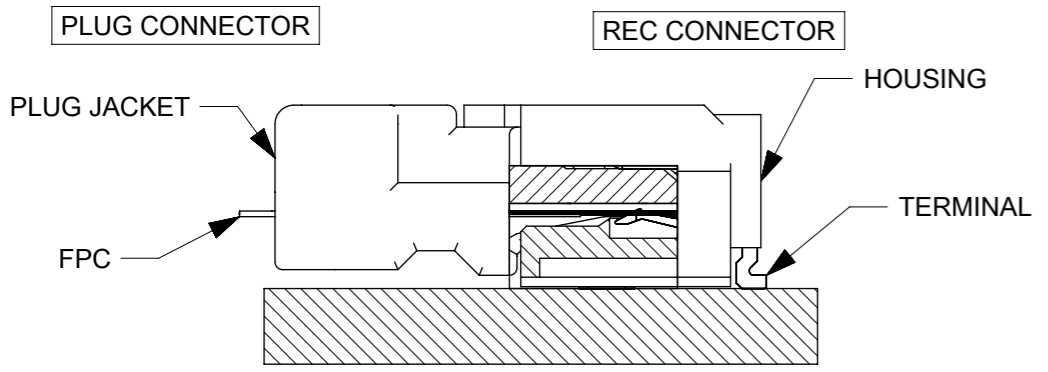


FPC構成推奨仕様
RECOMMENDED STRUCTURE OF FPC

FPCについて:
 打ち抜き方向は導体側から補強板側を推奨します。
 導体部については軟銅箔35µmまたは50µmを推奨します
 補強フィルム材質はポリイミドを推奨します。ベースフィルムは25µmを推奨します。
 接着剤は熱硬化接着剤を推奨します。
 接点部に異物が無い様お願い致します。

NOTES OF FPC :
 RECOMMENDED PUNCHER DIRECTION : FROM CONDUCTOR SIDE TOWARDS STIFFENER SIDE.
 RECOMMENDED CONDUCTOR SPEC :
 THICKNESS OF SOFT COPPER FOIL : 35 MICROMETER OR 50 MICROMETER.
 RECOMMENDED MATERIAL/THICKNESS.
 STIFFENER : POLYIMIDE
 BASE FILM THICKNESS : 25µm
 ADHESIVE : THERMOSET ADHESIVE
 THE CONTACT PAD AREA SHOULD BE WELL INSPECTED AND AVOID ALL FOREIGN CONTAMINATIONS.

参考FPC寸法
REFERENCE FPC DIMENSION
(仕上がり厚さ : 接点部0.3±0.03)
(THICKNESS : CONTACT AREA 0.3 +/-0.03)



嵌合断面
MATED CONNECTOR SECTION

THIS DRAWING CONTAINS INFORMATION THAT IS PROPRIETARY TO MOLEX ELECTRONIC TECHNOLOGIES, LLC AND SHOULD NOT BE USED WITHOUT WRITTEN PERMISSION									
EC NO: 104966 DRWN: AISHII CHK'D: KTAKAHASHI REV APPR: TKUSUHARA01	2016/05/10 2016/05/13 2016/05/13		GENERAL TOLERANCES (UNLESS SPECIFIED)		DIMENSION UNITS	SCALE	molex [®]		
			ANGULAR TOL ± 3.0 °		MM	5:1			
	4 PLACES ± 0.2		3 PLACES ± 0.2		DRWN BY	DATE	PRODUCT CUSTOMER DRAWING		
	3 PLACES ± 0.2		2 PLACES ± 0.2		AISHII	2015/10/21			
	2 PLACES ± 0.2		1 PLACE ± 0.2		CHK'D BY	DATE	DOCUMENT NUMBER DOC TYPE DOC PART SHEET NUMBER 5051471000 PSD 000 3 OF 3		
1 PLACE ± 0.2		0 PLACES ± 0.2		KTAKAHASHI	2015/12/03				
DRAFT WHERE APPLICABLE MUST REMAIN WITHIN DIMENSIONS		DRAWING SIZE		THIRD ANGLE PROJECTION					
		A3							