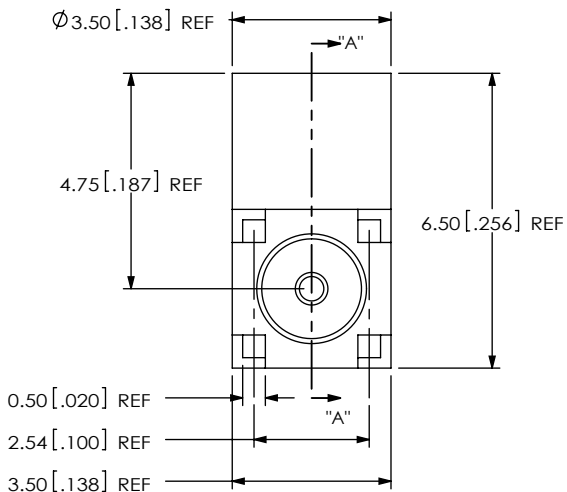
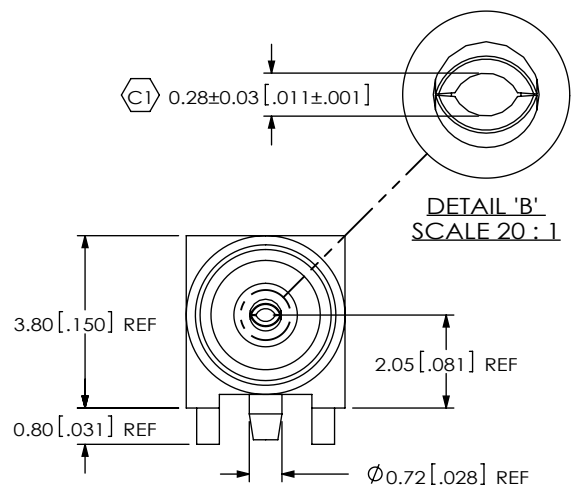
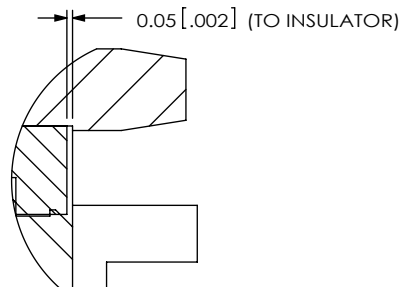


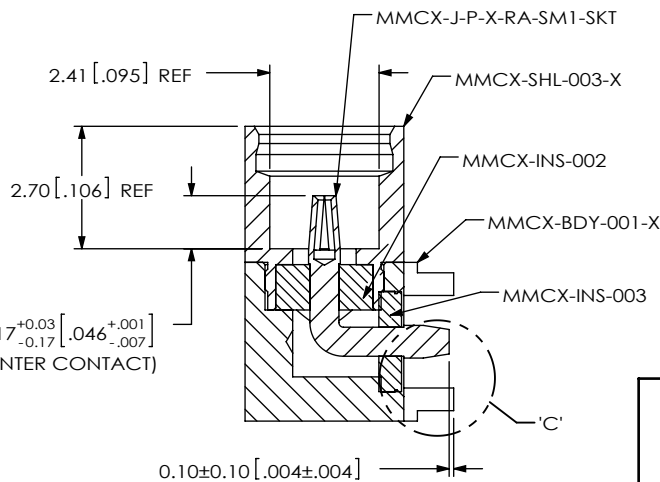
DO NOT SCALE FROM THIS PRINT



DESIGNED & DIMENSIONED IN MILLIMETERS [INCHES]



DETAIL 'C' SCALE 15 : 1



SECTION "A"- "A"

MMCX-J-P-X-RA-SM1

GENDER  
-J: JACK

TYPE  
-P: PCB

TERMINATION  
-SM1: SURFACE MOUNT

ORIENTATION  
-RA: RIGHT ANGLE

PLATING SPECIFICATION  
-H: HEAVY GOLD (SEE NOTE 6)  
(MMCX-J-P-H-RA-SM1-SKT)  
(MMCX-SHL-003-F)  
(MMCX-INS-002)  
(MMCX-BDY-001-F)  
(MMCX-INS-003)

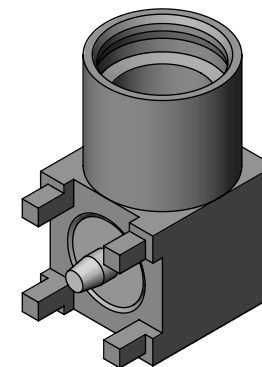
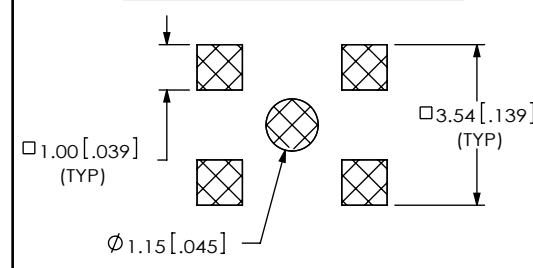


FIG.1  
MMCX-J-P-X-RA-SM1 SHOWN

RECOMMENDED PCB LAYOUT



NOTES:

1.  $\text{C1}$  REPRESENTS A CRITICAL DIMENSION.
2. PUSHOUT FORCE FOR INSULATOR: 22.24 N[5 LB] MIN.
3. PUSHOUT FORCE FOR CENTER CONTACT: 11.12 N[2.5 LB] MIN.
4. PARTS TO BE PACKAGED IN TRAYS; IF QUANTITY IS LESS THAN HALF TRAY, PARTS TO BE PACKAGED IN ASBBLTXX.X.
5. RoHS COMPLIANT.
6. COMPONENT PLATING DESIGNATIONS:  
-H: 0.000030" MIN. GOLD OVER 0.000050" MIN. NICKEL.
7. ASSEMBLY PLATING DESIGNATIONS:  
-H: (CENTER CONTACT)-H:  
(OUTER CONTACT)-F:  
(REMAINING METAL PARTS)-F:

F:\DWG\MISC\MKTG\MMCX-J-P-X-RA-SM1-MKT.SLDDRW

UNLESS OTHERWISE SPECIFIED, DIMENSIONS ARE IN MILLIMETERS [INCHES]. TOLERANCES ARE:  
DECIMALS ANGLES  
.X: ±0.3 [.01] 2°  
.XX: ±0.13 [.005]  
.XXX: ±0.051 [.0020]

PROPRIETARY NOTE  
THIS DOCUMENT CONTAINS CONFIDENTIAL AND PROPRIETARY INFORMATION AND ALL DESIGN, MANUFACTURING, REPRODUCTION, USE, PATENT RIGHTS AND SALES RIGHTS ARE EXPRESSLY RESERVED BY SAMTEC, INC. THIS DOCUMENT SHALL NOT BE DISCLOSED, IN WHOLE OR PART, TO ANY UNAUTHORIZED PERSON OR ENTITY NOR REPRODUCED, TRANSFERRED OR INCORPORATED IN ANY OTHER PROJECT IN ANY MANNER WITHOUT THE EXPRESS WRITTEN CONSENT OF SAMTEC, INC.

MATERIAL: DO NOT SCALE DRAWING SHEET SCALE: 1:0.166667  
SHELL, BODY: BRASS  
CONTACT: COPPER ALLOY  
DIELECTRICS: PTFE

520 PARK EAST BLVD, NEW ALBANY, IN 47150  
PHONE: 812-944-6733 FAX: 812-948-5047  
e-Mail: info@SAMTEC.com code: 55322

DESCRIPTION:  
MMCX RIGHT ANGLE, SMT JACK- 50 OHM

DWG. NO.  
**MMCX-J-P-X-RA-SM1**

BY: R MUSSER 11/26/2007 SHEET 1 OF 1