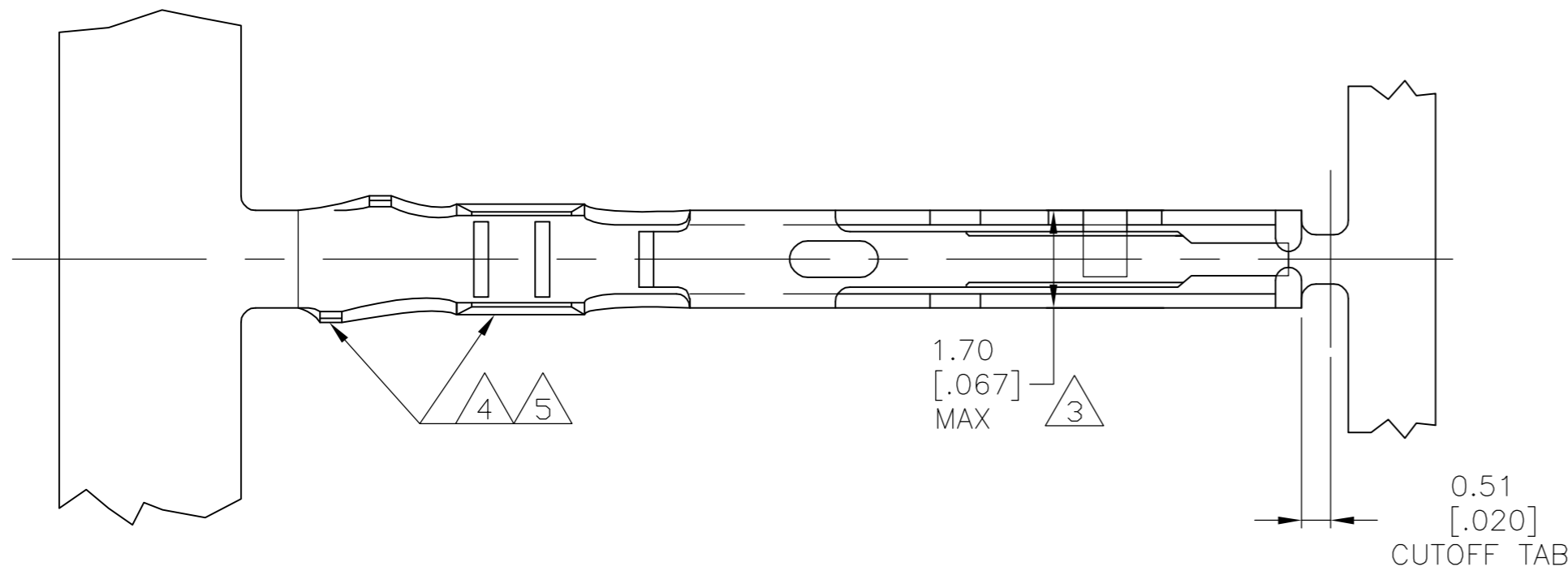
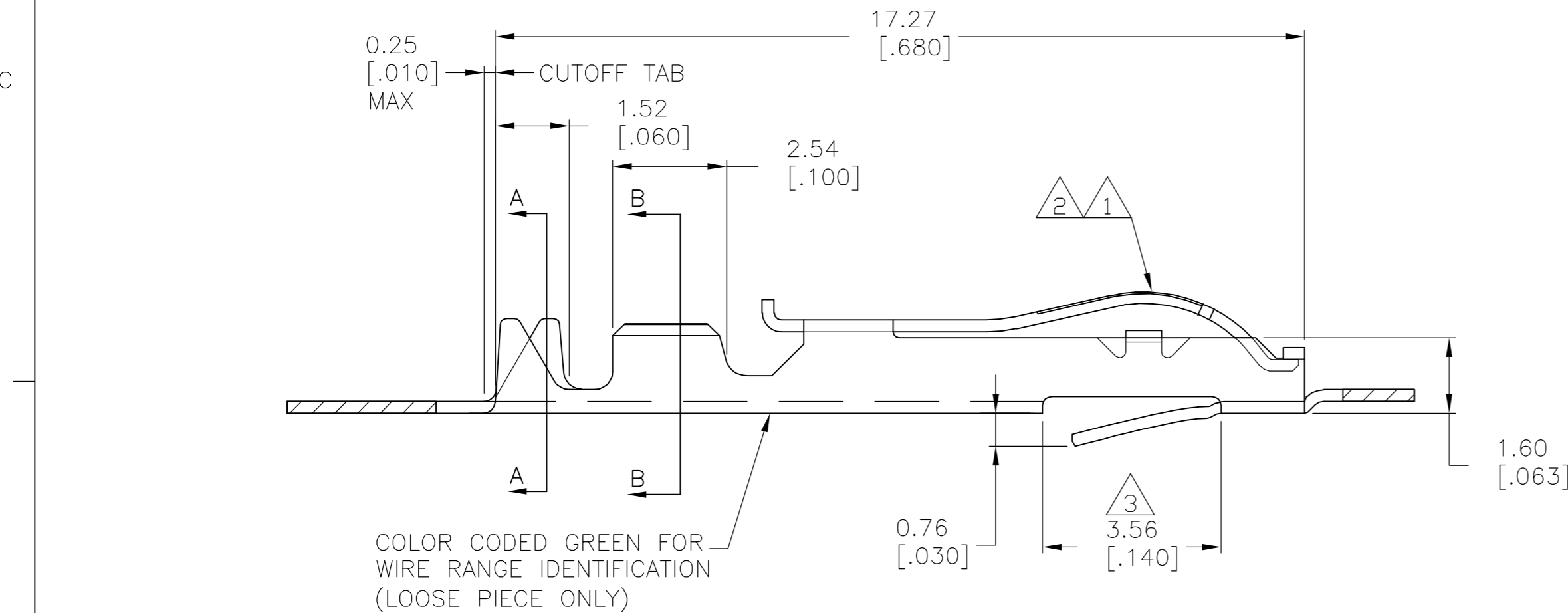


THIS DRAWING IS UNPUBLISHED. RELEASED FOR PUBLICATION
 © COPYRIGHT BY TYCO ELECTRONICS CORPORATION. ALL RIGHTS RESERVED.

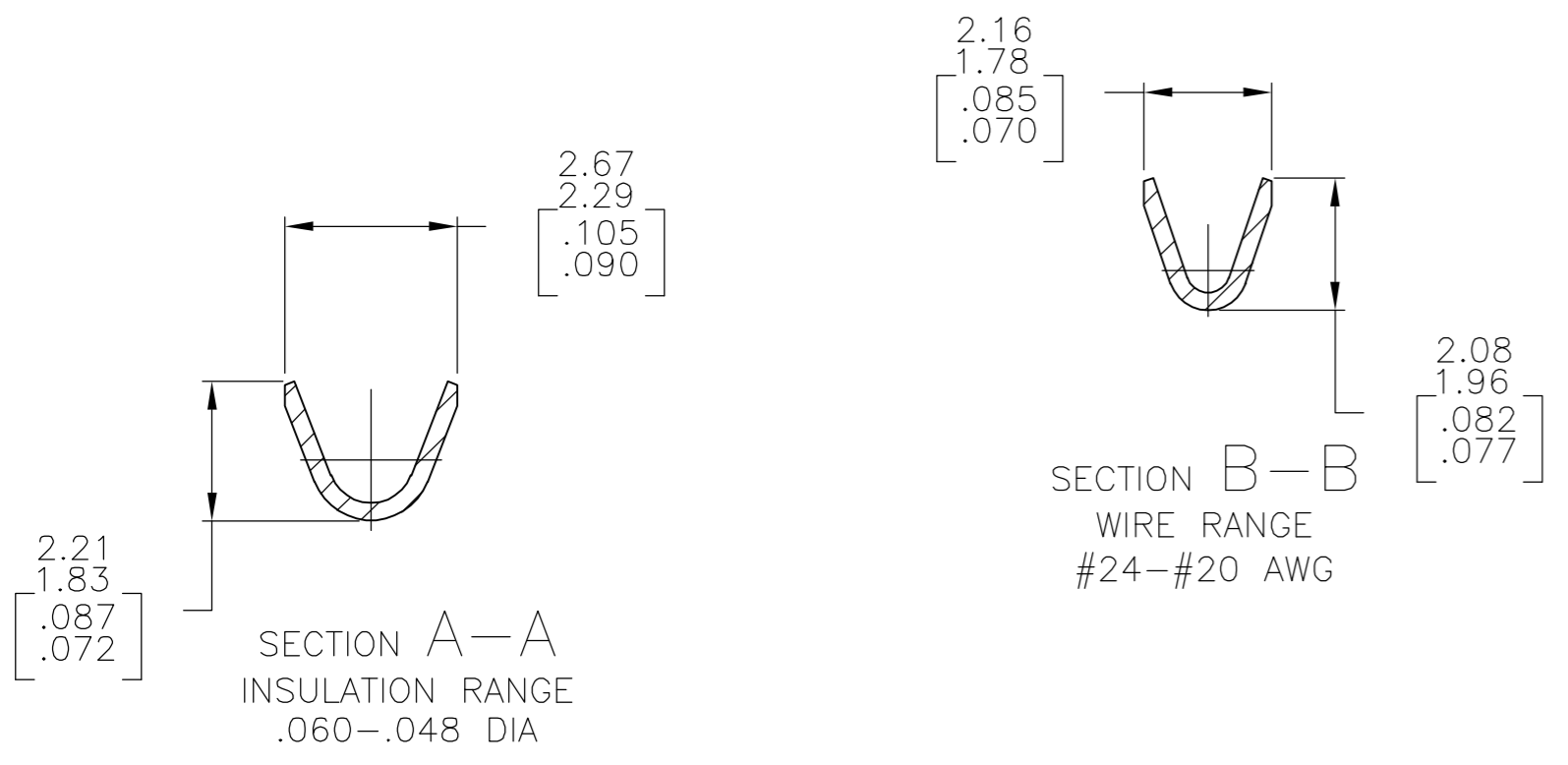
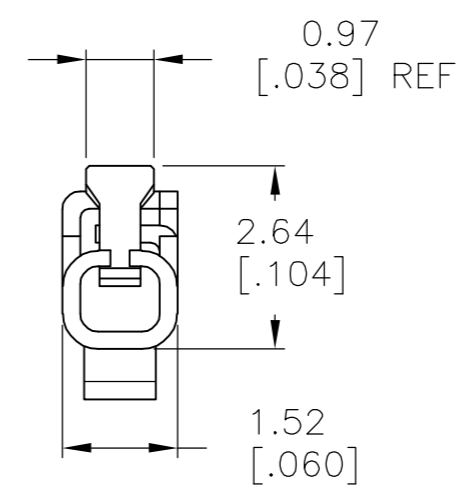
| LOC | DIST | REVISIONS | | | |
|-----|------|-------------|---------------|---------|--------|
| P | LTR | DESCRIPTION | DATE | DWN | APVD |
| AD | OO | J | ECO 05 003616 | 05APR06 | BSV MM |



- 1 .000030 GOLD OVER .000030 NICKEL IN CONTACT AREA.
- 2 .000015 GOLD OVER .000030 NICKEL IN CONTACT AREA.
- 3 .067 MAX ALLOWED IN LOCKING POSITION AREA FOR .140 REF LENGTH.
- 4 TIN-LEAD IN CRIMP AREA.
- 5 MATTE TIN PLATE IN CRIMP AREA.



COLOR CODED GREEN FOR WIRE RANGE IDENTIFICATION (LOOSE PIECE ONLY)



| | | |
|--------|-------------|-------------|
| 1 5 | 5-531477-5 | 5-531477-4 |
| 2 5 | 5-531477-3 | 5-531477-2 |
| 1 4 | 531477-5 | 531477-4 |
| 2 4 | 531477-3 | 531477-2 |
| FINISH | LOOSE PIECE | PART NUMBER |

| | | | | |
|--|--|-------------------------------|---|--|
| THIS DRAWING IS A CONTROLLED DOCUMENT. | | DWN A. STAUB BG 02AUG93 | Tyco Electronics Corporation Harrisburg, Pa 17105-3608 | |
| DIMENSIONS: mm [INCHES] | | CHK H ROSE 08FEB94 | NAME | |
| TOLERANCES UNLESS OTHERWISE SPECIFIED: | | APVD H ROSE 08FEB94 | PRODUCT SPEC | |
| 0 PLC ± - | | APPLICATION SPEC | | |
| 1 PLC ± - | | WEIGHT | | |
| 2 PLC ± - | | CUSTOMER DRAWING | | |
| 3 PLC ± - | | SCALE 10:1 | | |
| 4 PLC ± - | | SHEET 1 OF 1 | | |
| ANGLES ± - | | REV J | | |
| FINISH | | RESTRICTED TO | | |
| SEE TABLE | | SIZE CAGE CODE DRAWING NO | | |
| PHOS BRONZE | | A2 00779 C=531477 | | |

531477

A