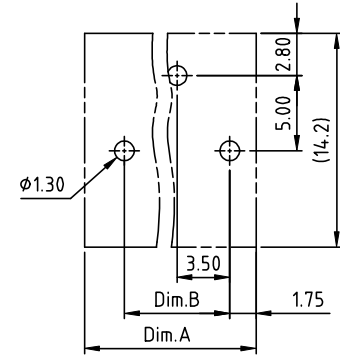
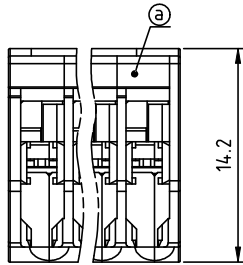
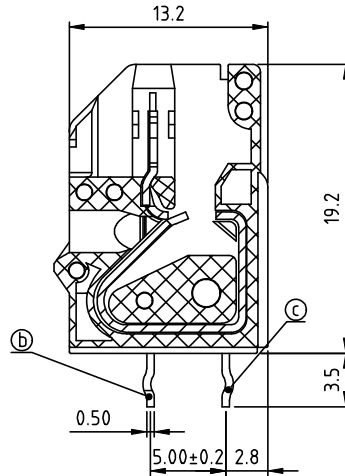
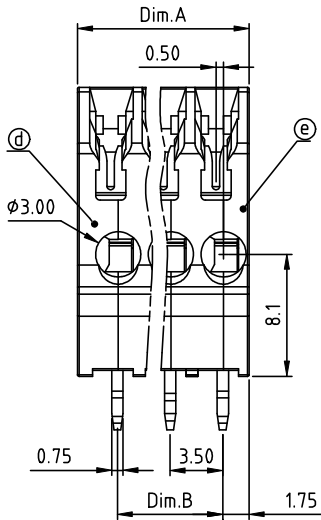


PRODUCT NUMBER	PITCH
HLxx00x000JOG	3.50mm



RECOMMENDED P.C.B LAYOUT
TOP VIEW



Material:

- Item@ Terminal body: Thermoplastic (UL94V-0)
- ItemⓄ Short pin: PhBz Tin plated.
- ItemⓄ Long pin: PhBz.Tin plated.
- ItemⓄ Left cover:Thermoplastic (UL94V-0)
- ItemⓄ Right cover:Thermoplastic (UL94V-0)

Electrical cULus

- Voltage rating: 300V
- Current rating: 2A
- Wire range:
- Phsh-Wire Connection: AWG 16-20 "sol"
- Wire strip length: 7.5-8.5mm
- IDC Connection: AWG 22 "sol"
- Withstanding Voltage: 1.6KV
- Operating temperature: -40°C to +115°C
- Soldering temperature: 260°C±5°C/5 Sec
- Safety Approval:

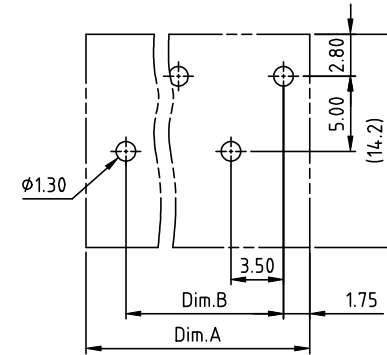
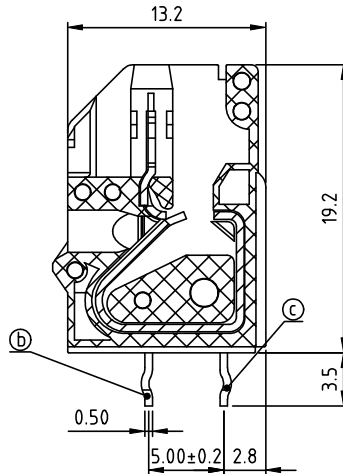
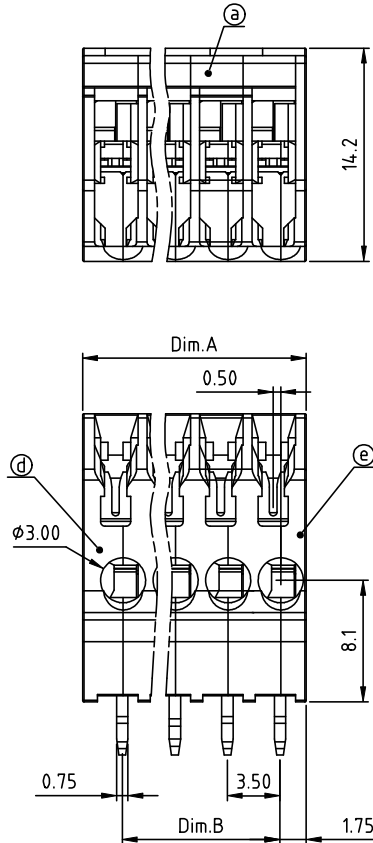
PART NO.: HL xx 00 x 000JO G

Dimension	
Dim.A	N×3.5+0.9
Dim.B	(N-1)×3.5
N=Number of poles	
Poles	Tolerance
3p/5p	±0.15
7p/9p/11p	±0.25

No. of poles	Color	RoHS compliant
0	Black (RAL9005)	(lead<4%)
2	Red (RAL3001/D)	In copper Alloy
03	3 poles Orange(RAL2011/P)	
05	5 poles Yellow(RAL1018/A)	
...	...	
11	11 poles Green(RAL6018/T)	
	Blue (RAL5015/A)	
	8 Grey(RAL7004/P)	
	9 White(RAL1102)	
	C Multiple colors	

mat'l. code		surface ASME Y14.5 ✓	tolerance ASME Y14.5	projection 	product family TERMINAL BLOCK
ltr	ecn no	dr	date	tolerances unless otherwise specified	title
				angles X.±0.5	TERMINAL BLOCK
				flatness X.X±0.3	SPRING CLAMP, IDC TYPE, 90D AND 180D WIRE INLET, ODD POLE
				total run out X'±1"	scale
				dr	FCI
				enr	EVIN ZHONG 060314
				chr	HANKE FENG 060314
				appd	SHI JUN 060314
sheet index	revision sheet	A	1		HLxx00x000JOG
					type
					CUSTOMER Drawing

PRODUCT NUMBER	PITCH
HLxx00x000J0G	3.50mm



RECOMMENDED P.C.B LAYOUT
TOP VIEW

Material:

- Item@ Terminal body: Thermoplastic (UL94V-0)
- ItemⓄ Short pin: PhBz Tin plated.
- ItemⓄ Long pin: PhBz.Tin plated.
- ItemⓄ Left cover:Thermoplastic (UL94V-0)
- ItemⓄ Right cover:Thermoplastic (UL94V-0)

Electrical cULus

- Voltage rating: 300V
- Current rating: 2A
- Wire range:
- Phsh-Wire Connection: AWG 16-20 "sol"
- Wire strip length: 7.5-8.5mm
- IDC Connection: AWG 22 "sol"
- Withstanding Voltage: 1.6KV
- Operating temperature: -40°C to +115°C
- Soldering temperature: 260°C±5°C/5 Sec
- Safety Approval:

PART NO.: HL xx 00 x 000J0 G

Dimension	
Dim.A	Nx3.5+0.9
Dim.B	(N-1)×3.5
N=Number of poles	
Poles	Tolerance
2p/4p/6p	±0.15
8p/10p/12p	±0.25

No. of poles	Color	RoHS compliant
0	Black (RAL9005)	(lead<4%)
2	Red (RAL3001/D)	In copper Alloy
3	Orange(RAL2011/P)	
4	Yellow(RAL1018/A)	
5	Green(RAL6018/T)	
6	Blue (RAL5015/A)	
8	Grey(RAL7004/P)	
9	White(RAL1102)	
C	Multiple colors	

mat'l. code		surface ASME Y14.5	tolerance ASME Y14.5	projection	product family
ltr ecn no dr date		tolerances unless otherwise specified			TERMINAL BLOCK
		angles	X.±0.5	MM	title
		flat	X.X±0.3		TERMINAL BLOCK
		X'±1"	X.XX±0.1	scale	SPRING CLAMP, IDC TYPE, 90D AND 180D WIRE INLET, EVEN POLE
		dr	EVIN ZHONG 060314		dwg no
		enrg	EVIN ZHONG 060314		sheet 2 of 2 size
		chr	HANKE FENG 060314		HLxx00x000J0G
		appd	SHI JUN 060314		A4
sheet index		revision	A		type
		sheet	2		CUSTOMER Drawing