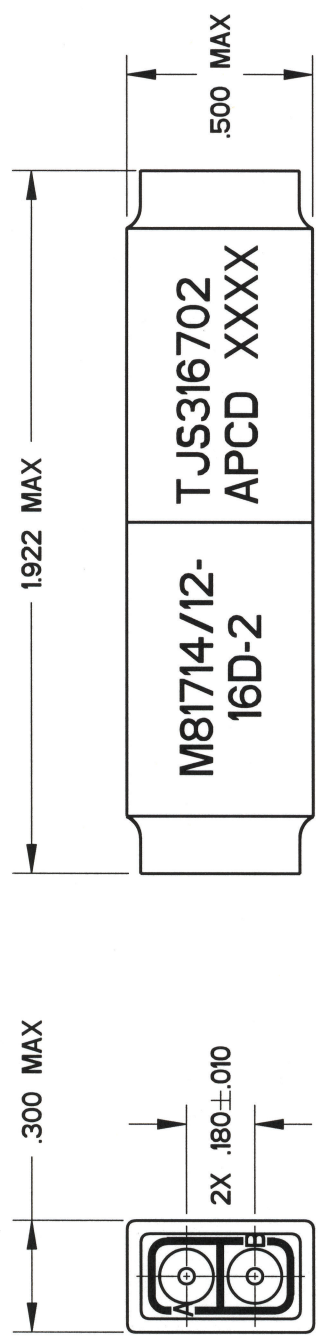
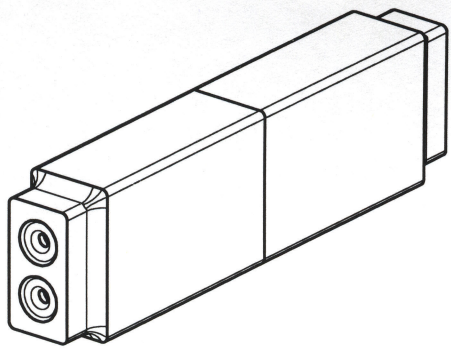


REV	ECN	APP'D
-	5882	<i>SD</i> 7-18-06



- NOTES:**
- PART MEETS ALL REQUIREMENTS OF MIL-T-81714/12
  - MATERIALS:  
GROMMET - SILICONE RUBBER, COLOR: BLUE  
INSULATOR - THERMOPLASTIC  
INTERNAL CONTACT - COPPER ALLOY  
CONTACT RETAINER CLIPS - STAINLESS STEEL ALLOY
  - MODULE ACCEPTS M39029/1-102 PIN CONTACTS, SEE TABLE.

PART NO.	DESCRIPTION	P/N MARKING
TJS316602	CONTACTS NOT SUPPLIED	TJS316702
TJS316702	FIVE (5) CNP037000 INCLUDED	

<b>TITLE</b>	
TERMINAL JUNCTION SPLICE DOUBLE UN-BUSSED, SIZE 16	

<b>SIZE</b>	<b>DWG NO.</b>
A	TJS316602_C
<b>CODE:</b> 58982	<b>SCALE:</b> 2:1
<b>REV</b>	-

<b>DIMENSIONS</b>	<b>TOLERANCES</b>	<b>PROJECTION</b>
ANSI Y14.5M UNITS: INCHES Pro/E FILE	.XX ±0.01 .XXX ±0.005 ANGLES ±0.5°	

THIS DOCUMENT CONTAINS PROPRIETARY INFORMATION WHICH IS THE CONFIDENTIAL PROPERTY OF AMPHENOL PCD INC., PEABODY, MA

**DRWN** R. SWAINE 07/06/06  
**ENGR** *R. Newman* 7/13/06  
**APP'D** *Paul R. 7-18-06*

<b>SIZE</b>	<b>DWG NO.</b>	<b>CODE:</b> 58982	<b>SCALE:</b> 2:1	<b>SHEET</b> 1 OF 1
A	TJS316602_C			

