

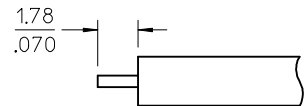
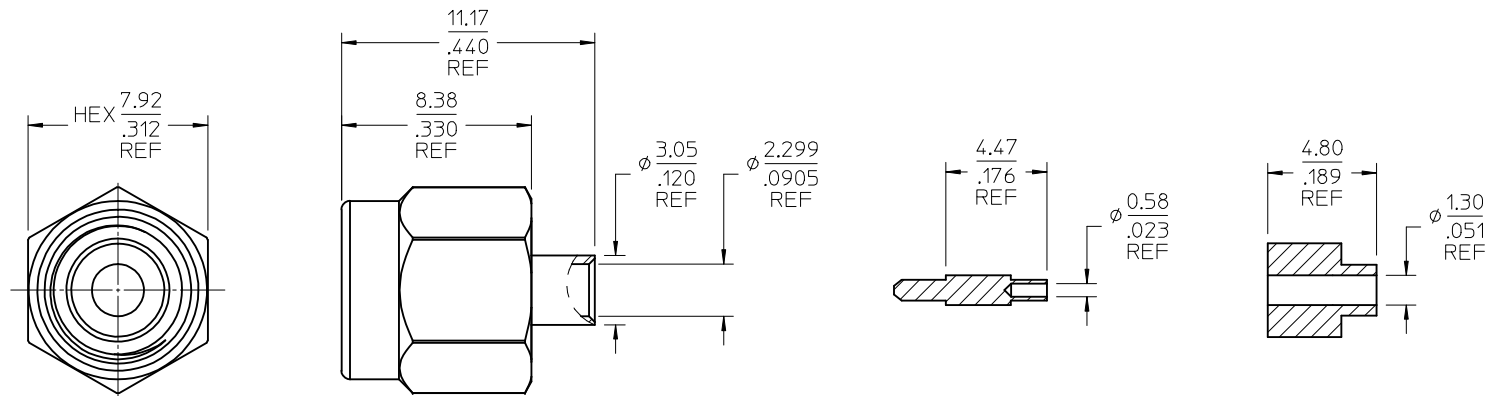
MATERIALS AND FINISHES

COUPLING NUT: SEE TABLE
PLATED SEE TABLE

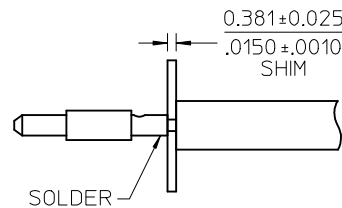
BODY:
-0051 THRU -0058 STAINLESS STEEL
-6530 STAINLESS STEEL
-0059 BRASS
PLATED SEE TABLE

CENTER CONTACT: BRASS
PLATED GOLD

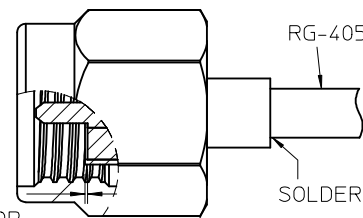
INSULATOR: PTFE



RG405 CABLE PREP



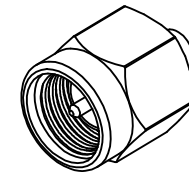
CONTACT & INSULATOR



SLIP CONTACT/CABLE INTO SMA ASSEMBLY TO DIMENSION SHOWN.
SOLDER CABLE TO SMA ASSEMBLY.

PRESS INSULATOR INTO BODY TO DIMENSION SHOWN.

73251-6531	BULK (100 COUNT)	BODY 5 u" GOLD	BRASS, GOLD
73251-6530	BULK (100 COUNT)	BODY 1-3 u" GOLD	STAINLESS STEEL, PASSIVATED
73251-0059	BULK (100 COUNT)	BODY 1-3 u" GOLD	BRASS, GOLD
73251-0058	73251-0053 BULK PACK (100 PC)	BODY 30 u" GOLD	STAINLESS STEEL, PASSIVATED
73251-0057	73251-0051 BULK PACK (100 PC)	BODY 10 u" GOLD	STAINLESS STEEL, PASSIVATED
73251-0056	BULK (100 COUNT)	BODY 8 u" GOLD	STAINLESS STEEL, GOLD
73251-0055	BULK (100 COUNT)	BODY 10 u" GOLD	BRASS, GOLD
73251-0054	INDIVIDUAL BAGS	BODY 10 u" GOLD	BRASS, GOLD
73251-0053	INDIVIDUAL BAGS	BODY 30 u" GOLD	STAINLESS STEEL, PASSIVATED
73251-0052	73251-0051 BY TRAY (20 CAV.)	BODY 10 u" GOLD	STAINLESS STEEL, PASSIVATED
73251-0051	INDIVIDUAL BAGS	BODY 10 u" GOLD	STAINLESS STEEL, PASSIVATED
PART NO.	PACKAGING	FINISH	COUPLING NUT, MATERIAL/FINISH



PS-89675-346	ELECTRO/MECH PERF	CHG:ADD -6531 PER PDR16012156 EC NO: URF2017-0030 DRW:RYEH 2016/07/14 CHKD: APPR:YCHENG 2016/07/21	QUALITY SYMBOLS ▽=0 ▽=0 ▽=0	GENERAL TOLERANCES (UNLESS SPECIFIED)		DIMENSION STYLE MM/IN	SCALE 6:1	DESIGN UNITS INCH	THIRD ANGLE PROJECTION	
				mm	INCH	DRAWN BY NBJ	DATE 1997/12/01	TITLE SMA PLUG ST 50 OHM RG405, EWR-1981 SMA-PC		
MIL-STD-348A, FIG. 310-1	INTERFACE	C2	REV	ANGULAR ± 2 °		DRAWN BY DHG	DATE 1997/12/01	APPROVED BY GMH		
SPECIFICATION	DESCRIPTION			DRAFT WHERE APPLICABLE MUST REMAIN WITHIN DIMENSIONS		SIZE C	MATERIAL NO. SEE TABLE		DOCUMENT NO. SD-73251-005	SHEET NO. 1 OF 1