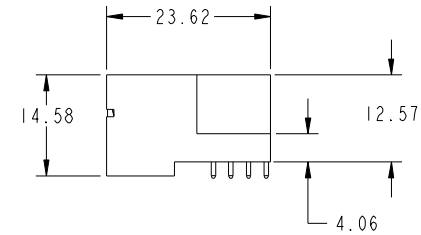
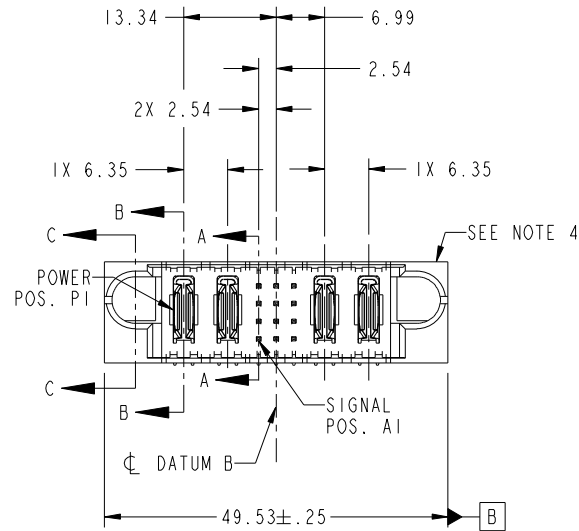


Tous droits strictement reserves. Reproduction ou communication a des tiers interdite sous quelque forme que ce soit sans autorisation écrite du propriétaire. Propriete de c FCI. Droits de reproduction FCI.



All rights strictly reserved. Reproduction or issue to third parties in any form whatever is not permitted without written authority from the proprietor. Property of FCI. Copyright FCI.

PRODUCT NO. 51730-073... NOTE: 3	ROWS D C B A	POWER		SIG			POWER		E2	
		E1	P1	P2	1	2	3	P3		P4



CODE	DIM "M" MATING LENGTH	CONTACT TYPE
PC	[N/A]	POWER
V	[6.86]	SIGNAL
Q	[6.86]	SIGNAL
P	[6.86]	SIGNAL
N	[6.86]	SIGNAL
C	[5.59]	SIGNAL

mat'l code				SEE NOTE		tolerances unless otherwise specified		CUSTOMER		 www.fciconnect.com	
ltr	ecn no.	dr	date	linear	0.X ± 0.5	projection		COPY		title	
A	V03-0795	TAB	7/17/03		0.XX ± 0.25					2P + 12S + 2P RIGHT ANGLE SOLDER HEADER	
B	V03-1037	MEM	9/15/03	angles	0.XXX ± 0.10					product family PwrBlade code 213	
C	DG05-0027	SW	02/23/05		0° + 2°	scale		size		dwg no 51730-073 sheet 1 of 4	
D	DG05-0218	SJ	08/04/05	dr	M. MOSTOLLER 2/19/03	1:1		A			
E	DG05-0454	CS	11/11/05	engr	M. MOSTOLLER 2/19/03						
F	DG07-0498	JW	09/15/08	chr	H. BREWBAKER 2/19/03						
				appd	M. MOSTOLLER 2/19/03						
sheet index	revision sheet	F 1	F 2	F 3	F 4						

cage code 22526

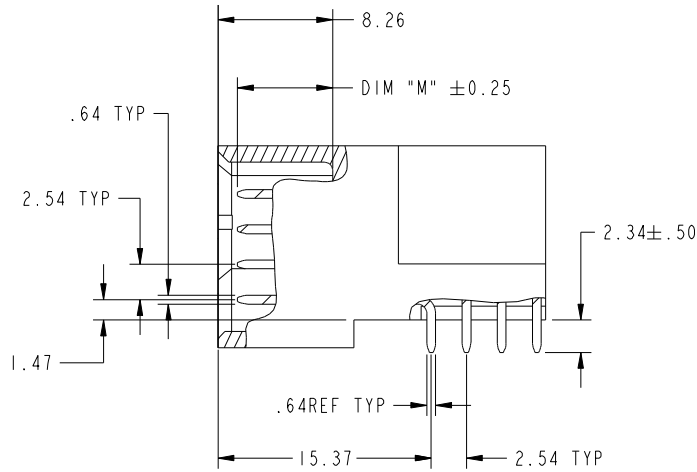
Pro/E

Tous droits strictement reserves. Reproduction ou communication a des tiers interdite sous quelque forme que ce soit sans autorisation écrite du propriétaire. Propriete de c FCI. Droits de reproduction FCI.

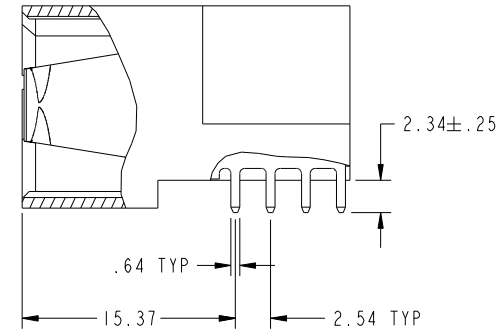


All rights strictly reserved. Reproduction or issue to third parties in any form whatever is not permitted without written authority from the proprietor. Property of FCI. Copyright FCI.

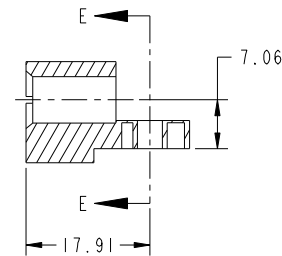
PRODUCT NUMBER
51730-073--
NOTE: 3



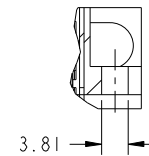
BROKEN-OUT SECTION A-A
SCALE 2:1



BROKEN-OUT SECTION B-B
SCALE 2:1



SECTION C-C



SECTION E-E

mat'l code		SEE NOTE		tolerances unless otherwise specified		CUSTOMER		www.fciconnect.com	
ltr	ecn no.	dr	date	linear	0.X ±0.5	COPY		title	
F					0.XX ±0.25	projection		2P + 12S + 2P	
				angles	0.XXX ±0.10			RIGHT ANGLE SOLDER HEADER	
					0° ±2°			product family PwrBlade code	
				dr	M. MOSTOLLER 2/19/03	scale		size	
				enrg	M. MOSTOLLER 2/19/03	1:1		dwg no 213	
				chr	H. BREWBAKER 2/19/03	A		sheet	
				appd	M. MOSTOLLER 2/19/03			51730-073 2	
sheet index	revision sheet								

cage code 22526

Pro/E

Tous droits strictement reserves. Reproduction ou communication a des tiers interdite sous quelque forme que ce soit sans autorisation écrite du propriétaire. Propriete de c FCI. Droits de reproduction FCI.



All rights strictly reserved. Reproduction or issue to third parties in any form whatever is not permitted without written authority from the proprietor. Property of FCI. Copyright FCI.

PRODUCT NUMBER
51730-073_-
NOTE: 3

NOTES:

1. DIMENSIONS AND TOLERANCES ARE IN ACCORDANCE WITH ASME Y14.5M, 1994 UNLESS OTHERWISE SPECIFIED.

CONNECTOR NOTES:

2. HOUSING MATERIAL: UL 94 V-0 GLASS FILLED HIGH-TEMP THERMOPLASTIC
POWER CONTACT MATERIAL: COPPER ALLOY
SIGNAL PIN MATERIAL: COPPER ALLOY

3. PLATING:
SEE ITEM 1 & 2 IN PRINT 10064183 FOR PLATING SPEC OF 51730-073; &model_name: SUPP_51558-001LF PRESPECTIVELY

4. MANUFACTURER'S NAME, P/N, AND DATE CODE TO APPEAR ON THIS SURFACE.

5. PRODUCT SPECIFICATION GS-12-149.
APPLICATION SPECIFICATION BUS-20-067.

6. PACKAGED IN TRAYS.

PCB NOTES:

7. ALL HOLE DIAMETERS ARE FINISHED HOLE SIZE.

8. MOUNTING HOLES, WHERE APPLICABLE, ARE UNPLATED.

9. $\varnothing 1.151 \pm 0.025$ DRILLED HOLES PLATED WITH 0.008 MIN SnPb OR Sn OVER 0.03 TO 0.08 Cu PLATING TO ACHIEVE $\varnothing 1.02 \pm .07$ HOLE.

10. "DIM XXX" TO BE DETERMINED BY THE CUSTOMER.

11. CONNECTOR KEEP-OUT ZONE.

12. A \triangle SYMBOL WILL BE NEXT TO ANY DIMENSION, VIEW, OR NOTE WHICH HAS BEEN MODIFIED WITH THE CURRENT DRAWING REVISION.

mat'l code		SEE NOTE		tolerances unless otherwise specified		CUSTOMER		FCI www.fciconnect.com	
ltr	ecn no.	dr	date	linear	0.X ± 0.5		COPY		title 2P + 12S + 2P RIGHT ANGLE SOLDER HEADER
F					0.XX ± 0.25		projection		
					0.XXX ± 0.10				
				angles	0° ± 2°				product family PwrBlade
				dr	M. MOSTOLLER	2/19/03	scale		code 213
				enrg	M. MOSTOLLER	2/19/03	1:1		sheet 4
				chr	H. BREWBAKER	2/19/03	A		dwg no 51730-073
				appd	M. MOSTOLLER	2/19/03			
sheet index	revision sheet								

cage code 22526

Pro/E