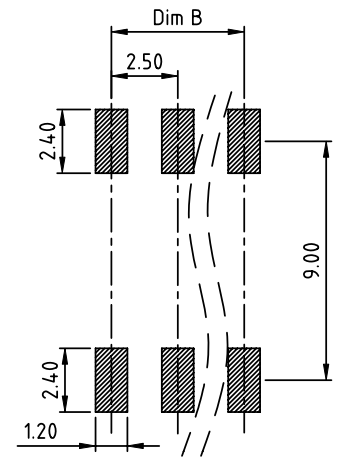
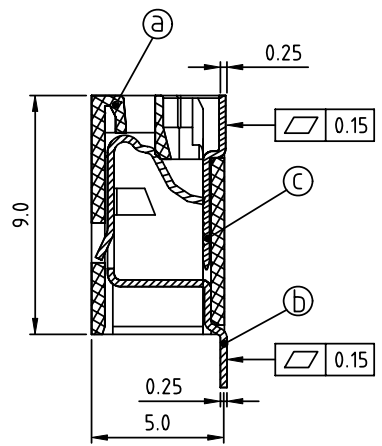
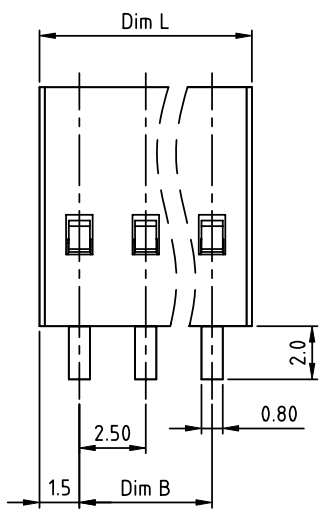
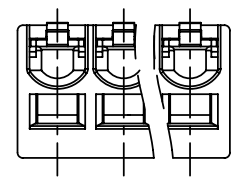


PRODUCT NUMBER	PITCH
NQxx01x000J0G	2.50mm



RECOMMENDED P.C.B LAYOUT
TOP VIEW

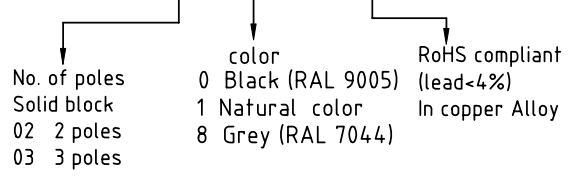
- Material:
- Item①Terminal housing:LCP (UL94V-0)
 - Item②Long solder pin: Copper alloy, Bright Tin plated
 - Item③Short solder pin: Copper alloy, Bright Tin plated
- | | | |
|-------------------|------------|----------------|
| Electrical | UL(UL1977) | cULus (UL1977) |
| ● Voltage rating: | 300VAC | 300VAC |
| ● Current rating: | 6A | 3A |
- Wire range:
 - Solid wire(AWG): 20-26
 - Tin Dipped Stranded wire(AWG): 20-26
 - Wire strip length: 6-7mm
 - Withstanding Voltage: 1.6KV
 - Operating temperature: -45°C to +130°C
 - Reflow soldering temperature: 260°C/10 Sec Max.
 - Safety Approval:

N=Number of poles

Dim.L	(N-1) × 2.5+3.0
Dim.B	(N-1) × 2.5

POLES	Tolerance
2P - 3P	±0.15

PART NO.: NQ xx 01 x 000J0 G



mat'l. code		surface ASME Y14.5	tolerance ASME Y14.5	projection	product family TERMINAL BLOCK
ltr	ecn no	dr	date		title TERMINAL BLOCK
B	T-21473	HF	072015		
		angles	tolerances unless otherwise specified	MM	scale
		0°	X.±0.5		
		±1°	X.X±0.3		
		X'±1°	X.XX±0.1		
		dr	EVIN ZHONG 071714		dwg no
		enr	EVIN ZHONG 071714		sheet 1 of 1
		chr	HANKE FENG 071714		size
		appd	SHI JUN 071714		A4
sheet index		revision	B	type CUSTOMER Drawing	
1		sheet	1		