

5

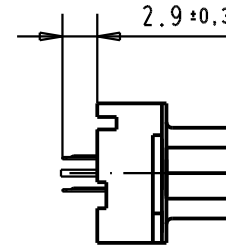
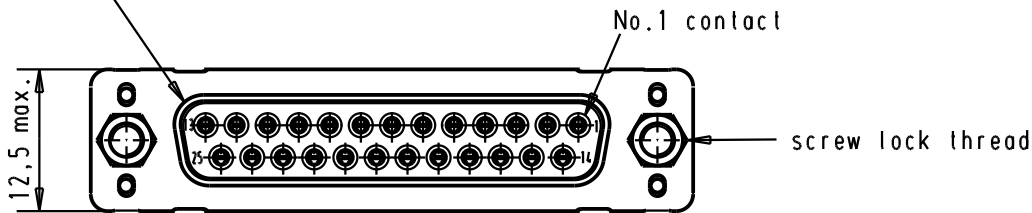
4

3

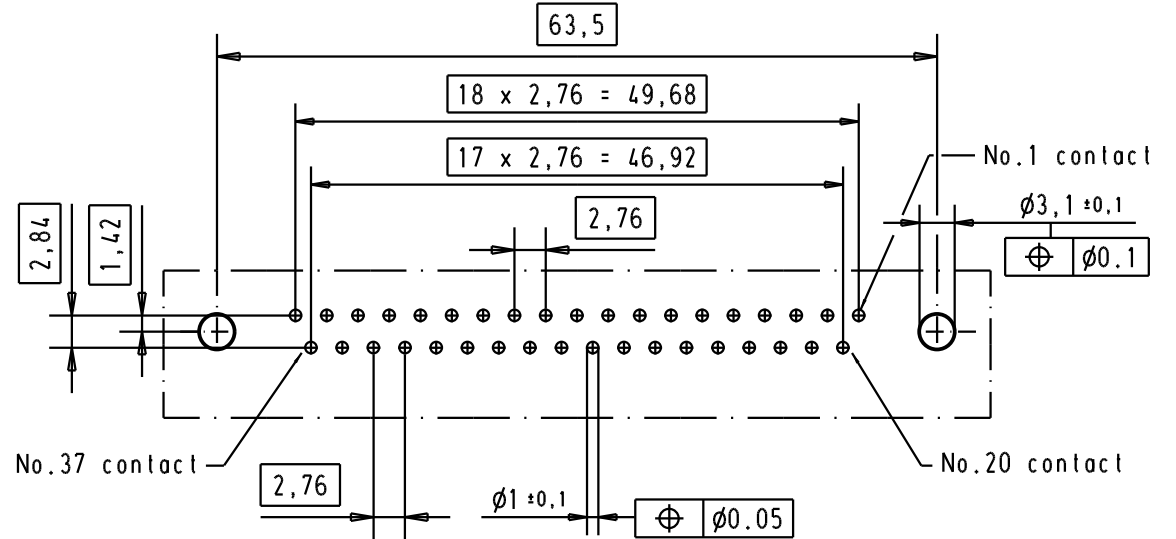
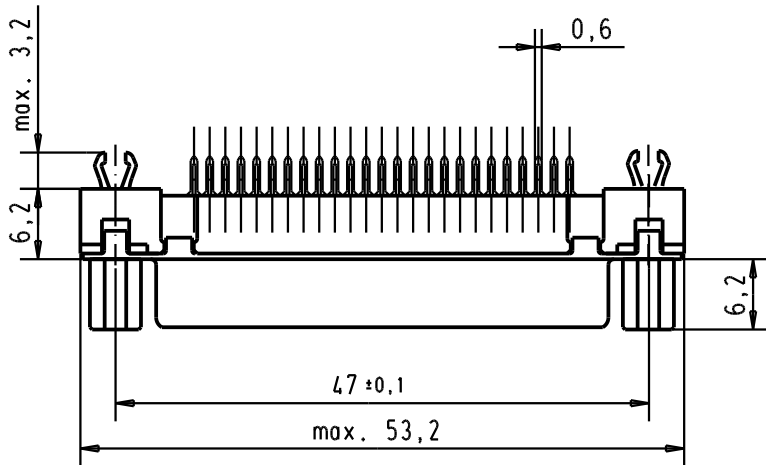
2

1



Mating face according to : MIL-C24308 / DIN 41652 / CECC 75301-802



Printed board layout
component side



Connector retention and insertion forces on the PCB = 25 / 80 newtons

A	09 66 355 3533	M3	1						 All Dim. in mm Orig. Size DIN A 4	D-sub, High temperature, 25 poles, female, straight, with solder pins 2.9, screw lock and grounding board lock.	Maßstab/ Scale 1,5:1	
	09 66 355 6533	M3	2				Detail.	04/09/02				YT
	09 66 355 7533	M3	3				Insp.					
	09 66 355 3513	4-40 UNC	1				Stand.					
	09 66 355 6513	4-40 UNC	2	31892	05/05/04	JH	HARTING EURL F-95972 Paris				TB 09 66 355 x5x3	Blatt/ Page 1
	09 66 355 7513	4-40 UNC	3	31084	04/09/02	YT						
	Part number	Screw lock thread	Performance level	Mod.	Dat.	Name				Sub.		