

DIN rail mounting frame - HC-CIF-B06-HFWL-PL - 1424334

Please be informed that the data shown in this PDF Document is generated from our Online Catalog. Please find the complete data in the user's documentation. Our General Terms of Use for Downloads are valid (<http://phoenixcontact.com/download>)



HEAVYCON DIN rail mounting frame, for type B6 contact inserts



Key Commercial Data

Packing unit	1 STK
GTIN	
GTIN	4055626370729

Technical data

Dimensions

Length	110 mm
Width	42 mm
Height	61 mm

Ambient conditions

Ambient temperature (operation)	-40 °C ... 125 °C
---------------------------------	-------------------

General

Size	B6
Material	PC
Flammability rating according to UL 94	V0
Color	traffic grey
Note	for B6, BB10, DD24 contact inserts and B6 module frame

Standards and Regulations

Flammability rating according to UL 94	V0
--	----

Environmental Product Compliance

REACH SVHC	Lead 7439-92-1
China RoHS	Environmentally Friendly Use Period = 50

DIN rail mounting frame - HC-CIF-B06-HFWL-PL - 1424334

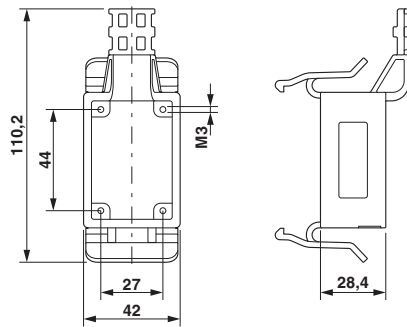
Technical data

Environmental Product Compliance

	For details about hazardous substances go to tab "Downloads", Category "Manufacturer's declaration"
--	---

Drawings

Dimensional drawing



Dimensional drawing

Approvals

Approvals

Approvals

EAC

Ex Approvals

Approval details

EAC		EAC-Zulassung
-----	--	---------------