

1

2

3

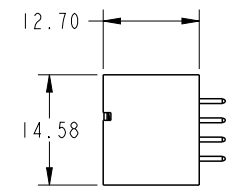
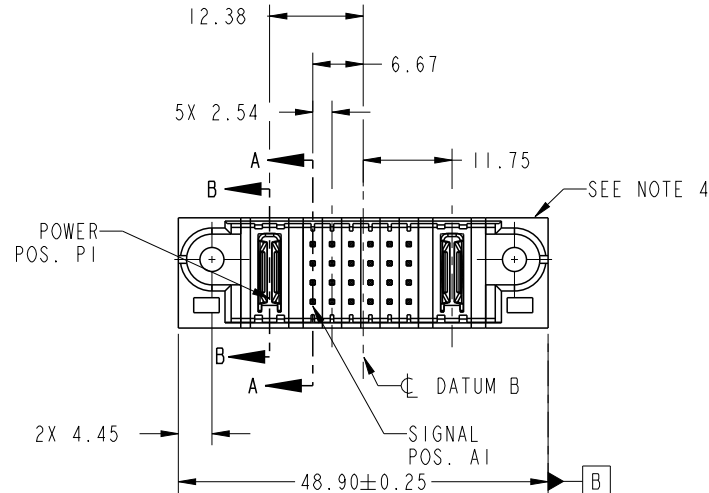
4

PRODUCT NO. 51952-228-- NOTE ③	ROWS DCBA	POW		SIGNAL						POW	
		E1	P1	1	2	3	4	5	6	P2	E2

A

B

C



A

B

C

CODE	DIM "M" MATING LENGTH	CONTACT TYPE
PA	[N/A]	POWER
E	[6.86]	SIGNAL
H	[5.59]	SIGNAL



Copyright FCI.

D

spec ref	See Notes			dr	Luo Weller	2012/10/07	projection 	MM 	size	A4	scale	1:1
tolerance std	TOLERANCES UNLESS OTHERWISE SPECIFIED			eng	Luo Weller	2012/10/10			ecn no	-		
See Notes				chr	-	-						
surface	✓	linear	0.X	±0.50	FCI www.fci.com	title	IP + 24S + IP VERTICAL SOLDER HEADER	dwg no	51952-228	rel level	Released	
			0.XX	±0.25							rev	A
			0.XXX	±0.10								
		angular	0°	±2°	cat. no.	&model_name	Product - Customer Drw		sheet 1 of 4			

PrdE File - REV C - 2009-06-09

2

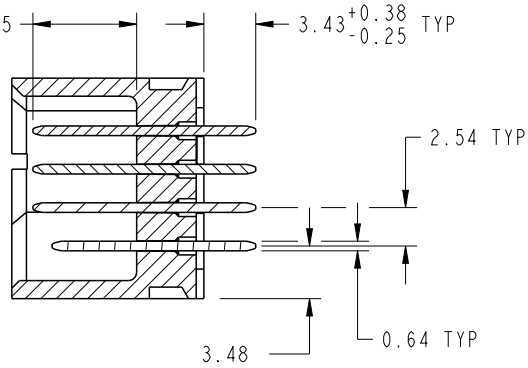
3

4

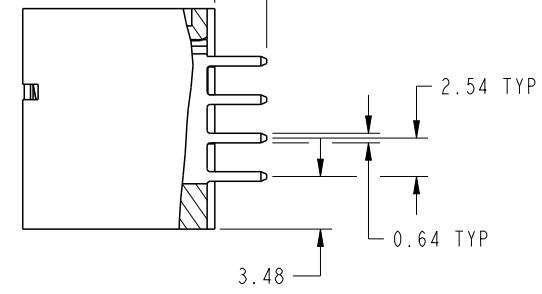
PRODUCT NUMBER

51952-228__
NOTE 3

DIM "M" ±0.25



3.43^{+0.38}_{-0.25} TYP



SECTION A-A
SCALE 2:1

SECTION B-B
SCALE 2:1

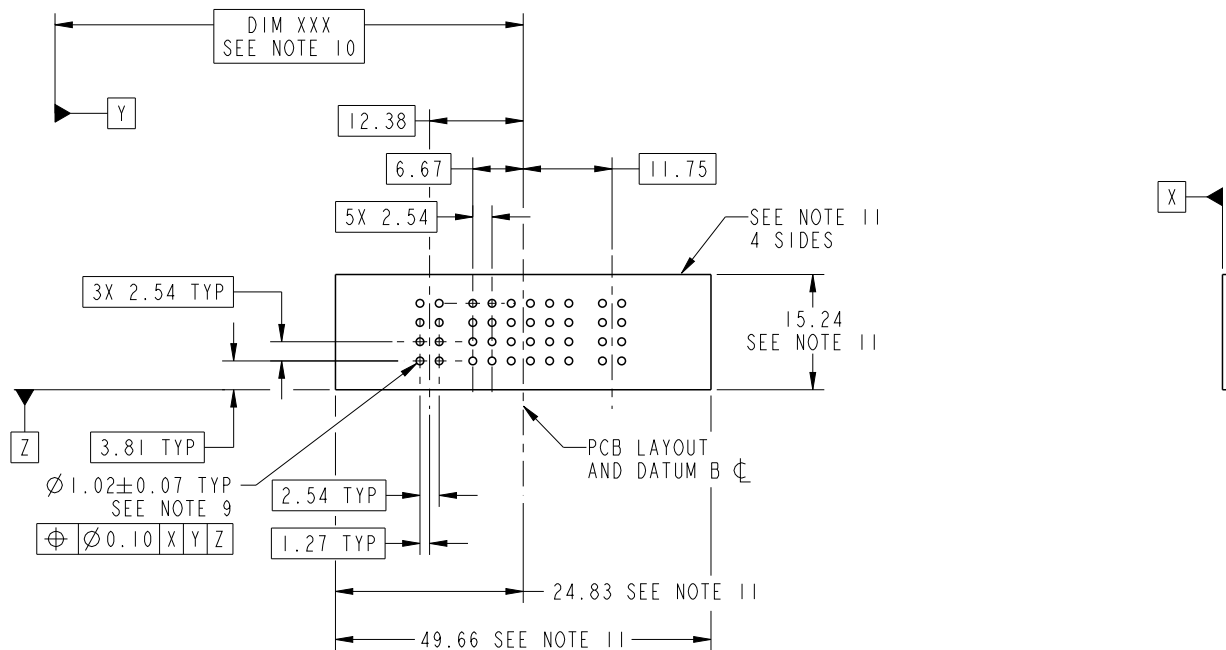


Copyright FCI.

dr	Luo Weller	2012/10/07	projection 	MM 	size	A4	scale	1:1		
eng	Luo Weller	2012/10/10			ecn no	-				
chr	-	-			product family	PwrBlade	rel level	Released		
appr	Pei-Ming Zheng	2012/10/11			title	IP + 24S + IP VERTICAL SOLDER HEADER	dwg no	51952-228	rev	A
www.fci.com		cat. no.	&model_name	Product - Customer Drw	sheet 2 of 4					

PRODUCT NUMBER

51952-228__
NOTE 3



RECOMMENDED PCB LAYOUT

dr	Luo Weller	2012/10/07	projection 	MM 	size	A4	scale	1:1
eng	Luo Weller	2012/10/10			ecn no	-		
chr	-	-			rel level	Released		
appr	Pei-Ming Zheng	2012/10/11	product family	PwrBlade	rev	A		
	title	IP + 24S + IP VERTICAL SOLDER HEADER		dwg no	51952-228	sheet 3 of 4		
www.fci.com	cat. no.	&model_name	Product - Customer Drw					

PRODUCT NUMBER

51952-228__
NOTE 3

NOTES:

1. DIMENSIONS AND TOLERANCES ARE IN ACCORDANCE WITH ASME Y14.5M, 1994 UNLESS OTHERWISE SPECIFIED.

CONNECTOR NOTES:

- ② HOUSING MATERIAL: UL 94 V-0 GLASS FILLED HIGH-TEMP THERMOPLASTIC
POWER CONTACT MATERIAL: COPPER ALLOY
SIGNAL PIN MATERIAL: COPPER ALLOY
 - 3. SEE ITEM 1 & 2 IN PRINT 10064183 FOR PLATING SPEC OF 51952-228 AND 51952-228LF RESPECTIVELY.
 - ④ MANUFACTURER'S NAME, DATE CODE AND OPTIONAL P/N TO APPEAR ON THIS SURFACE. THE P/N CAN BE OMITTED IF THERE IS NOT ENOUGH SPACE ON THIS SURFACE.
 - 5. PRODUCT SPECIFICATION GS-12-149.
APPLICATION SPECIFICATION BUS-20-067.
 - 6. PACKAGED IN TRAYS.
- PCB NOTES:
- 7. ALL HOLE DIAMETERS ARE FINISHED HOLE SIZE.
 - 8. MOUNTING HOLES, WHERE APPLICABLE, ARE UNPLATED.
 - ⑨ $\varnothing 1.151 \pm 0.025$ DRILLED HOLES PLATED WITH 0.008 MIN SnPb OR Sn OVER .001 [0.03] TO 0.08 Cu PLATING TO ACHIEVE $\varnothing 1.02 \pm 0.07$ HOLE.
 - ⑩ "DIM XXX" TO BE DETERMINED BY THE CUSTOMER.
 - ⑪ CONNECTOR KEEP-OUT ZONE.



Copyright FCI.

dr	Luo Weller	2012/10/07	projection 	MM 	size	A4	scale	1:1		
eng	Luo Weller	2012/10/10			ecn no	-				
chr	-	-			product family	PwrBlade	rel level	Released		
appr	Pei-Ming Zheng	2012/10/11			title	IP + 24S + IP VERTICAL SOLDER HEADER	dwg no	51952-228	rev	A
www.fci.com		cat. no.	&model_name	Product - Customer Drw		sheet 4 of 4				