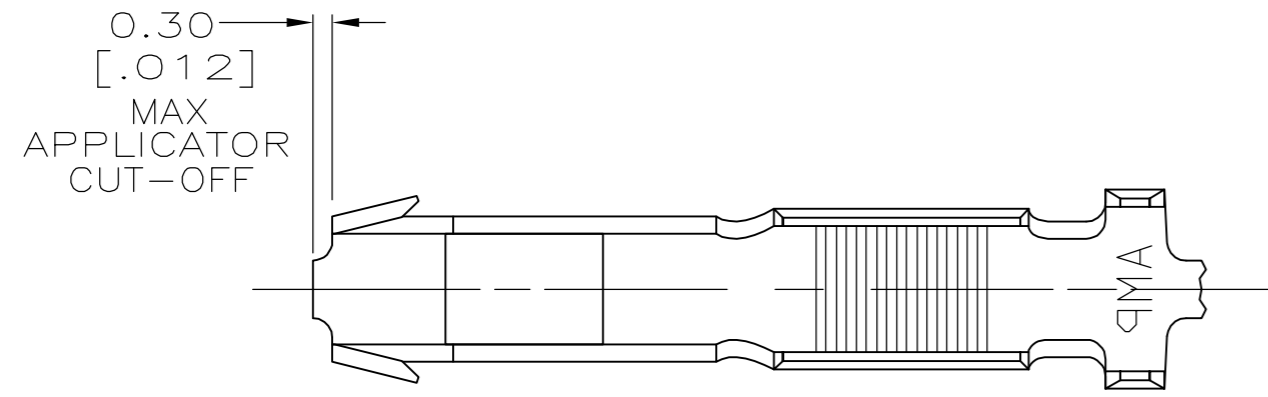
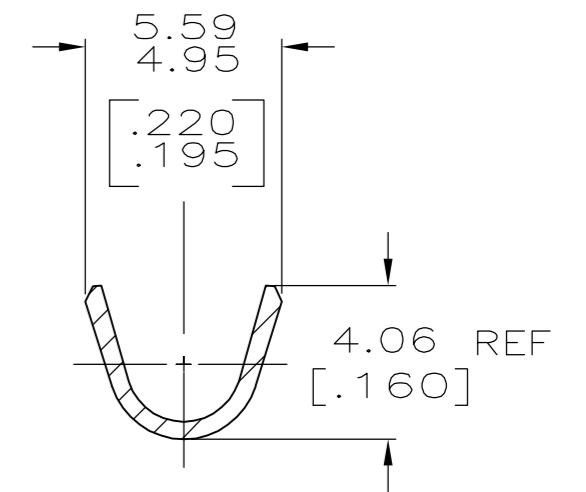
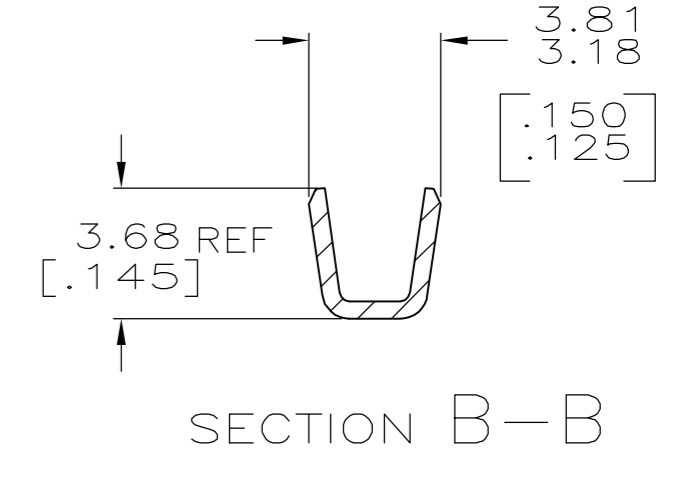
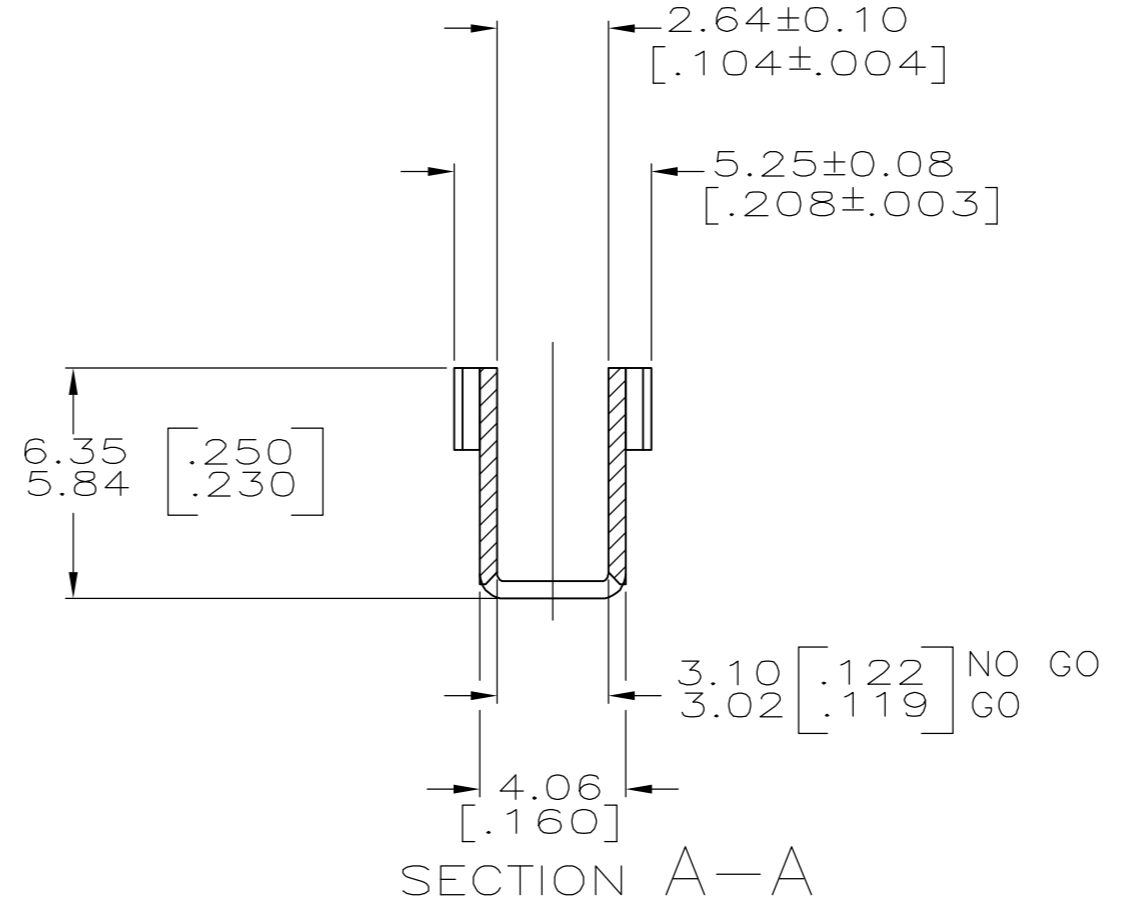
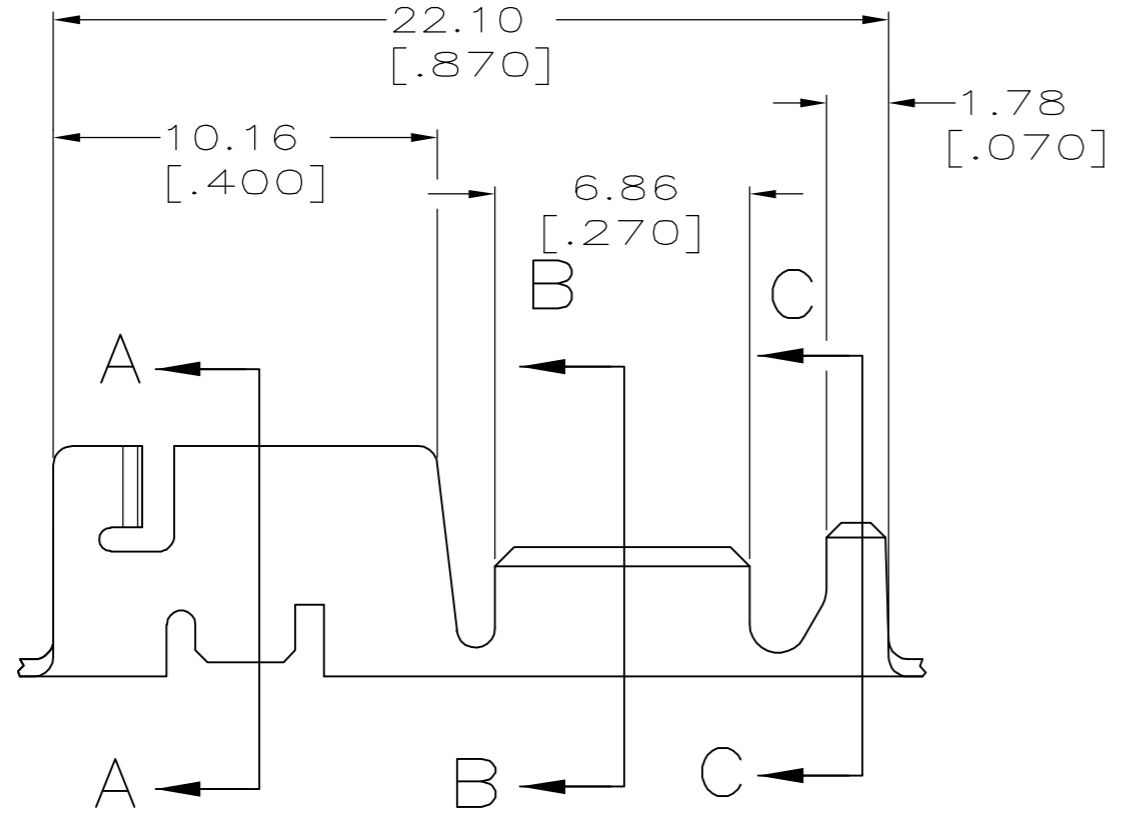


THIS DRAWING IS UNPUBLISHED. RELEASED FOR PUBLICATION
 © COPYRIGHT BY TYCO ELECTRONICS CORPORATION. ALL RIGHTS RESERVED.

LOC		DIST		REVISIONS			
P	LTR	DESCRIPTION		DATE	DWN	APVD	
AF	50	D		REVISED PER ECR-05-018642	25APR06	HMR GP	



1 CONTINUOUS STRIP ON REELS WITH TERMINALS LOCATED ON 23.75 [.935] CENTERS.



1.90-3.18 DIA [.075-.125]	1500-4200 CMA	1217174-1
INSULATION RANGE	WIRE RANGE	PART NUMBER

THIS DRAWING IS A CONTROLLED DOCUMENT.		DWN MICHAEL S. FEHER 06JUL1999	Tyco Electronics Corporation Harrisburg, PA 17105-3608	
DIMENSIONS: mm [INCHES]		CHK PETE DESANTIS 07JUL1999	NAME RECEPTACLE, CLUSTER PIN, AMPLIVAR™ 3.18[.125] DIA	
TOLERANCES UNLESS OTHERWISE SPECIFIED:		APVD PETE DESANTIS 07JUL1999	PRODUCT SPEC 108-2008	
0 PLC ± -		APPLICATION SPEC 114-2019		
1 PLC ± -		SIZE A2		
2 PLC ± 0.25 [.010]		CAGE CODE 00779		
3 PLC ± -		DRAWING NO C=1217174		
4 PLC ± -		RESTRICTED TO -		
ANGLES ± -		SCALE 5:1		
FINISH POST TIN		SHEET 1 of 1		
MATERIAL H03 PHOSPHOR BRONZE		REV D		
WEIGHT -		CUSTOMER DRAWING		