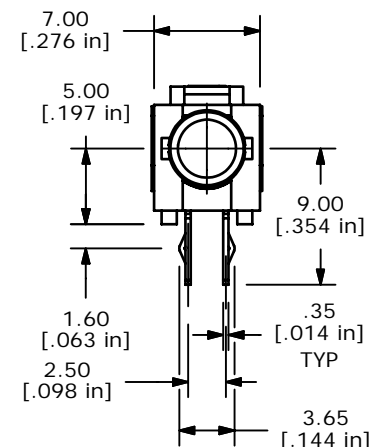
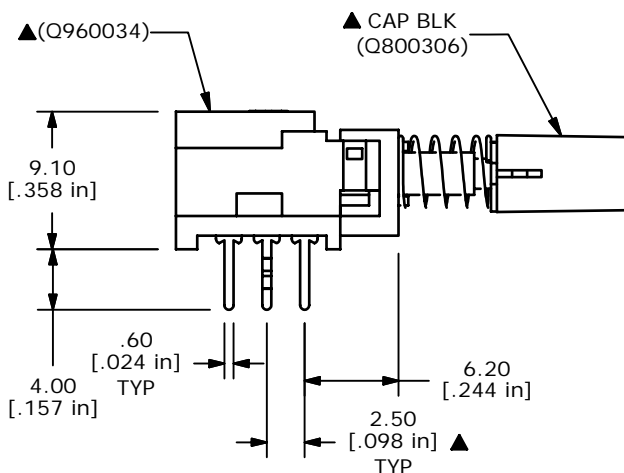


NOTES:

1. ALL DIMENSIONS IN MM [INCH]
2. GENERAL TOLERANCE: X.X=±0.4
X.XX=±0.25
3. TERM. NOS. FOR REFERENCE ONLY.
4. RATING 0.1A @30V DC
- ▲ 5. MATERIALS:
CONTACT/TERMINALS: SILVER PLATE
HOUSING: PBT UL94V0
BASE: PA66 UL94V0
ACTUATOR: PA66 UL94V0
6. CONTACT RESISTANCE: 100 MILLI-OHM (INITIAL)
7. TIMING: NON-SHORTING
8. OPERATING FORCE: 230±50GF
9. TRAVEL: LATCHING
2MM TO LOCK
3MM OVERALL
10. ELECTRICAL LIFE: 10,000 CYCLES
11. OPERATING TEMP: -20°C TO +70°C
12. ▲ DENOTES CRITICAL PARAMETER.
- 13 2002/95/EC (ROHS) COMPLIANT



TITLE PBH2UEESNPAGV1RBLK				
SCALE 2:1	DATE 7/19/2007	DR BF	DWG XQ0032P	REV A

A	17460	RELEASED FOR PRODUCTION	7/19/07	BF
REV	PCR NO	DESCRIPTION	DATE	BY

THE INFORMATION CONTAINED IN THIS DOCUMENT IS PROPRIETARY TO E-SWITCH AND IS NOT TO BE COPIED OR TRANSFERRED