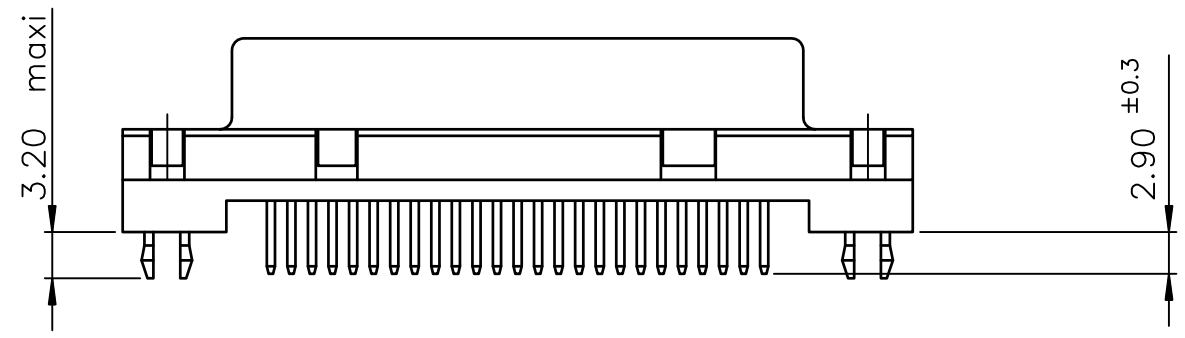
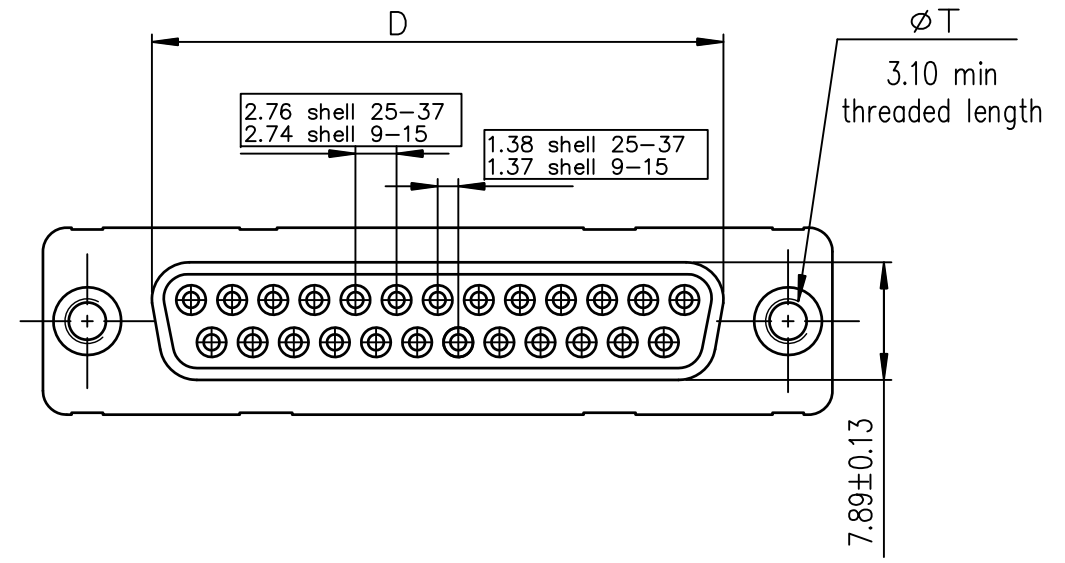
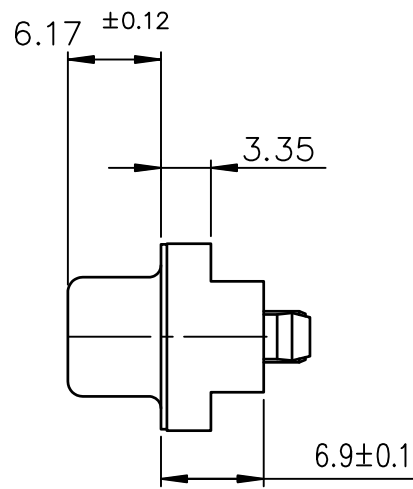
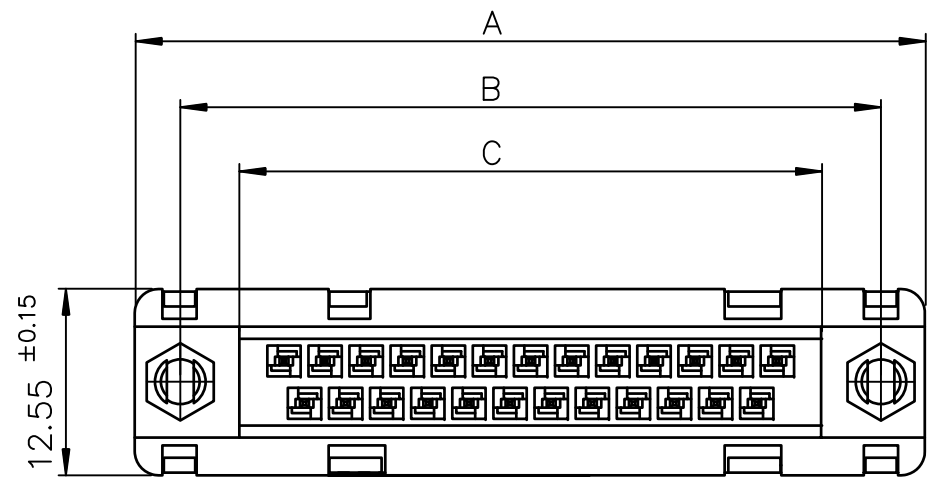




Copyright FCI



FCIconnect.com

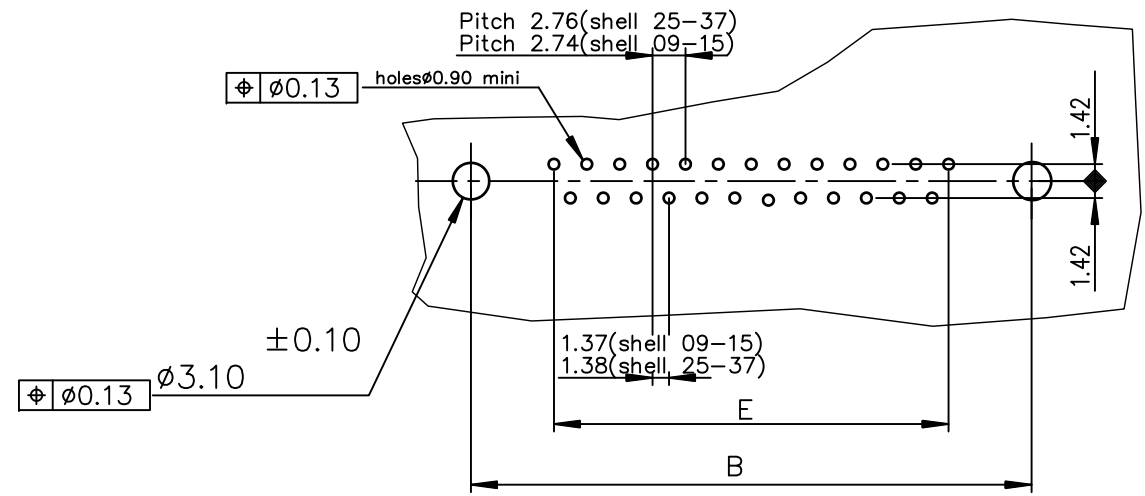


LEAD FREE PART NUMBERS

SHELL	A±0.38	B±0.12	C±0.10	D±0.25	E±0.07	Flash Au	0.76µ Au
09	30.81	24.99	16.96	16.21	10.96	D09S34A4G*00LF	D09S34A6G*00LF
15	39.14	33.32	25.18	24.54	19.18	D15S34A4G*00LF	D15S34A6G*00LF
25	53.03	47.04	39.12	38.25	33.12	D25S34A4G*00LF	D25S34A6G*00LF
37	69.32	63.50	55.68	54.71	49.68	D37S34A4G*00LF	D37S34A6G*00LF

L --> ØT=M3  
X --> ØT=UNC 4-40

PC card drilling dimensions(after plating)  
(thickness 1.60±0.20mm)



GENERAL CHARACTERISTICS AND ROHS INFORMATIONS:  
SEE DRAWING C01-8646-0000

mat'l. code		surface		tolerance		projection		product family	
-		ISO 1302 ✓		ISO 406 ISO 1101				D-SUB	
ltr		ecn no	dr	date		tolerances unless otherwise specified		title	
F		ELX-I-21654	AB	2015-10-26				FEMALE DD WT FOOTPRINT 6.9 STRAIGHT SOLDER TYPE	
								dwg no	
						MM		sheet 1 of 1	
						scale 2:1		size	
								A3	
								type	
								Product Customer Drawing	
sheet index		revision sheet		F 1					