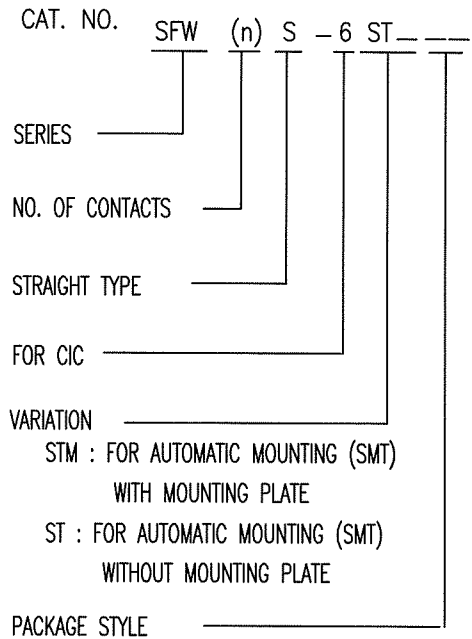


CAT. NO. & DIMENSIONS

| NOTE3 | NO. OF CONTACTS (n) | CAT. NO.       | DIMENSIONS (NOTE2) |        |        |
|-------|---------------------|----------------|--------------------|--------|--------|
|       |                     |                | A ±0.2             | B ±0.2 | C ±0.2 |
|       | 4                   | SFW4S-6ST____  | 10.4               | 5.24   | 3      |
|       | 5                   | SFW5S-6ST____  | 11.4               | 6.24   | 4      |
|       | 6                   | SFW6S-6ST____  | 12.4               | 7.24   | 5      |
| *     | 7                   | SFW7S-6ST____  | 13.4               | 8.24   | 6      |
|       | 8                   | SFW8S-6ST____  | 14.4               | 9.24   | 7      |
| *     | 9                   | SFW9S-6ST____  | 15.4               | 10.24  | 8      |
|       | 10                  | SFW10S-6ST____ | 16.4               | 11.24  | 9      |
|       | 11                  | SFW11S-6ST____ | 17.4               | 12.24  | 10     |
| *     | 12                  | SFW12S-6ST____ | 18.4               | 13.24  | 11     |
|       | 13                  | SFW13S-6ST____ | 19.4               | 14.24  | 12     |
|       | 14                  | SFW14S-6ST____ | 20.4               | 15.24  | 13     |
|       | 15                  | SFW15S-6ST____ | 21.4               | 16.24  | 14     |
|       | 16                  | SFW16S-6ST____ | 22.4               | 17.24  | 15     |
|       | 17                  | SFW17S-6ST____ | 23.4               | 18.24  | 16     |
| *     | 18                  | SFW18S-6ST____ | 24.4               | 19.24  | 17     |
| *     | 19                  | SFW19S-6ST____ | 25.4               | 20.24  | 18     |
|       | 20                  | SFW20S-6ST____ | 26.4               | 21.24  | 19     |
| *     | 21                  | SFW21S-6ST____ | 27.4               | 22.24  | 20     |
|       | 22                  | SFW22S-6ST____ | 28.4               | 23.24  | 21     |
|       | 23                  | SFW23S-6ST____ | 29.4               | 24.24  | 22     |
|       | 24                  | SFW24S-6ST____ | 30.4               | 25.24  | 23     |
| *     | 25                  | SFW25S-6ST____ | 31.4               | 26.24  | 24     |
|       | 26                  | SFW26S-6ST____ | 32.4               | 27.24  | 25     |
| *     | 27                  | SFW27S-6ST____ | 33.4               | 28.24  | 26     |
|       | 28                  | SFW28S-6ST____ | 34.4               | 29.24  | 27     |
|       | 29                  | SFW29S-6ST____ | 35.4               | 30.24  | 28     |
|       | 30                  | SFW30S-6ST____ | 36.4               | 31.24  | 29     |
| *     | 31                  | SFW31S-6ST____ | 37.4               | 32.24  | 30     |
| *     | 32                  | SFW32S-6ST____ | 38.4               | 33.24  | 31     |



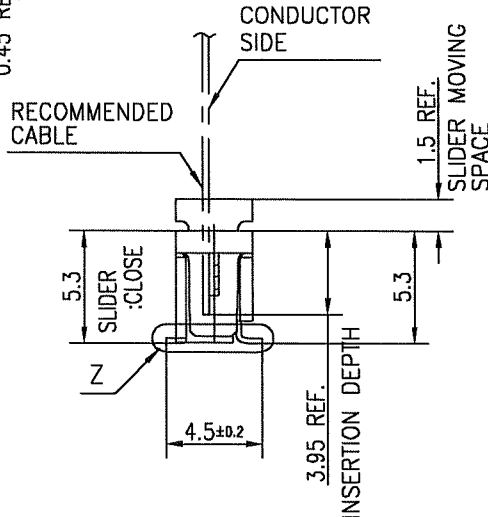
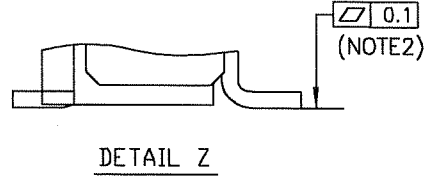
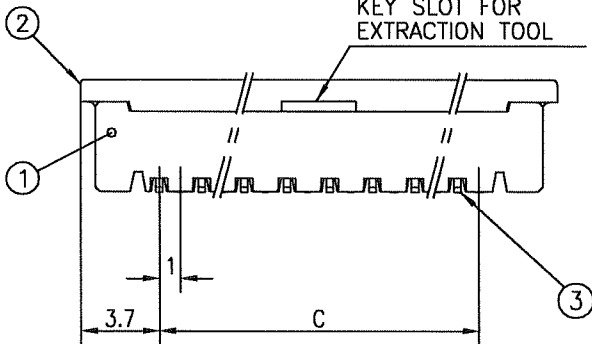
NOTES

1. THIS PRODUCT IS THE CONNECTOR, DESIGNED TO TERMINATE CIC AND COPES WITH AUTOMATIC MOUNTING (SMT).
2. SEE PART DRAWINGS FOR DIMENSIONS A.B.C.
3. PLEASE CONSULT US IN CASE OF USING PARTS WITH \* MARK

|             |                |  |            |                                       |        |                               |      |  |  |        |
|-------------|----------------|--|------------|---------------------------------------|--------|-------------------------------|------|--|--|--------|
| mat'l. code |                | surface 58 / tolerance ISO 1302 / ISO 406 / ISO 1101 |            | projection                            |        | product family 58SF           |      | CODE JP  |  |        |
| ltr         | ecn no         | dr   | date       | tolerances unless otherwise specified |        | title                         |      | CAT. NO. TABLE FOR 1mm SPACING SMT CONNECTOR (CAT.No.SFW__S-6ST__) |  |        |
| AA          | J04-0333       | H.T  | 2004-10-13 | angles                                | linear | mm                            |      | scale X  |  |        |
| AB          | J05-0547       | H.T  | 2005-8-30  |                                       |        | FCJ                           |      | dwg no JSA 93900 sheet 1 of 1 size A4                              |  |        |
| AC          | J06-0430       | H.T  | 2006-10-19 |                                       |        | type Product Customer Drawing |      |  |  |        |
| AD          | J07-0407       | H.T  | 2007-8-9   | dr                                    | engr   | chr                           | appd |  |  |        |
| sheet index | revision sheet | AD   | 1          |                                       |        |                               |      |  |  | Rev AD |

CIC MARK  
CONDUCTOR SIDE MARK

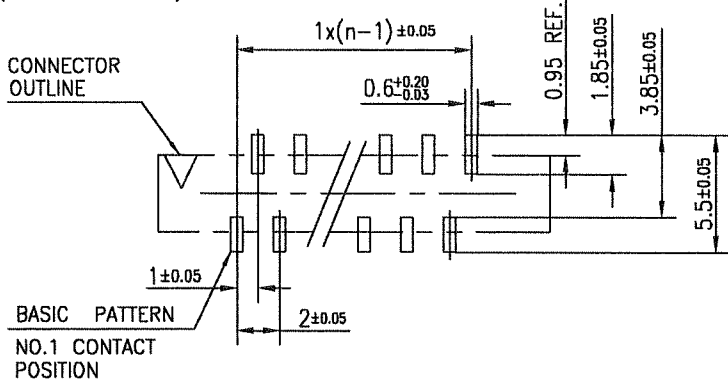
NO.1 CONTACT



| PT. NO. | PARTS NAME | MATERIAL                          | Q'TY | NOTE               |
|---------|------------|-----------------------------------|------|--------------------|
| 1       | HOUSING    | GLASS FILLED THERMOPLASTIC RATED. | 1    | COLOR: BROWN       |
| 2       | SLIDER     | (UL94V-0)                         | 1    | COLOR: BLACK       |
| 3       | CONTACT    | PHOSPHOR BRONZE                   | n    | PLATING: TIN ALLOY |

n : NO. OF CONTACTS

RECOMMENDED PC BOARD LAYOUT  
(COMPONENT SIDE)



NOTES

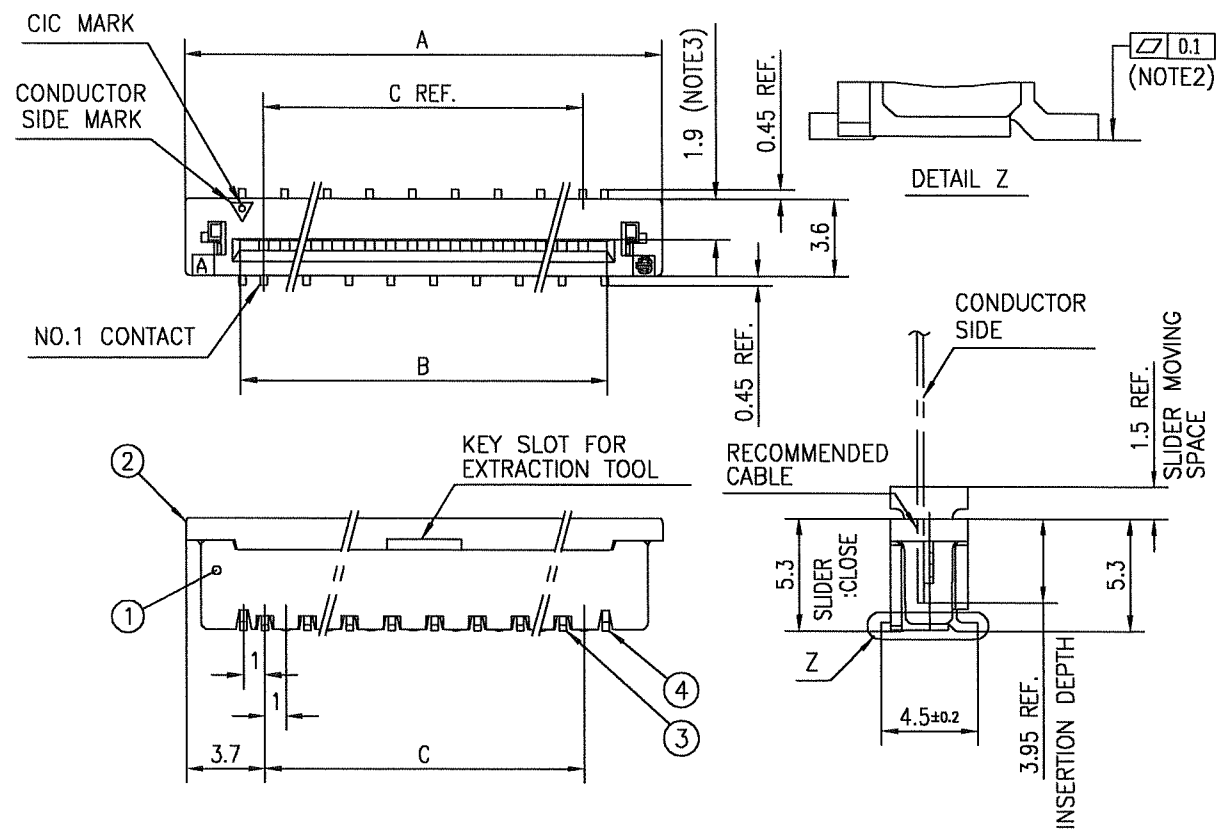
- THIS PRODUCT IS THE CONNECTOR DESIGNED TO TERMINATE CIC AND COPES WITH AUTOMATIC MOUNTING (SMT).
- FLATNESS OF CONTACT TERMINAL MUST BE WITHIN TOLERANCE IN Z PORTION DETAILED DRAWING.
- THIS DIMENSION IS SPACE FOR THE NOZZLE OF MOUNTER.

|                    |          |  |           |            |  |                               |  |                          |  |
|--------------------|----------|--|-----------|------------|--|-------------------------------|--|--------------------------|--|
| mat'l. code        |          | surface 58 / tolerance ISO 1302 / ISO 406 / ISO 1101 |           | projection |  | product family 58SF           |  | CODE JP                  |  |
| ltr ecn no dr date |          | tolerances unless otherwise specified                |           | mm         |  | title                         |  |                          |  |
| AA                 | J04-0333 | H.T  | Oct.13/04 | ±0.2       |  | 1mm SPACING SURFACE MOUNT     |  |                          |  |
| AB                 | J06-0430 | H.T  | 10/19/06  | linear     |  | CIC CONNECTOR                 |  |                          |  |
|                    |          |  |           |            |  | (CAT.No.SFW__S-6ST__)         |  |                          |  |
|                    |          |  |           |            |  | scale X                       |  | dwg no sheet 1 of 1 size |  |
|                    |          |  |           |            |  | FCJ                           |  | JSA 93905 A4             |  |
|                    |          |  |           |            |  | type Product Customer Drawing |  |                          |  |
| sheet index        |          | revision sheet                                       |           | AB 1       |  |                               |  | Rev. AB                  |  |



FCJconnect.com

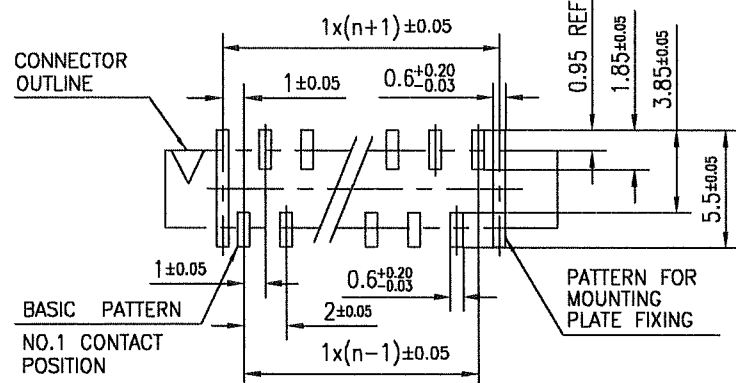
Copyright FCI.



| PT. NO. | PARTS NAME     | MATERIAL                                    | Q'TY | NOTE               |
|---------|----------------|---|------|--------------------|
| 1       | HOUSING        | GLASS FILLED THERMOPLASTIC RATED. (UL94V-0) | 1    | COLOR: BROWN       |
| 2       | SLIDER         |   | 1    | COLOR: BLACK       |
| 3       | CONTACT        | PHOSPHOR BRONZE                             | n    | PLATING: TIN ALLOY |
| 4       | MOUNTING PLATE | BRASS                                       | 2    |                    |

n : NO. OF CONTACTS

RECOMMENDED PC BOARD LAYOUT (COMPONENT SIDE)



NOTES

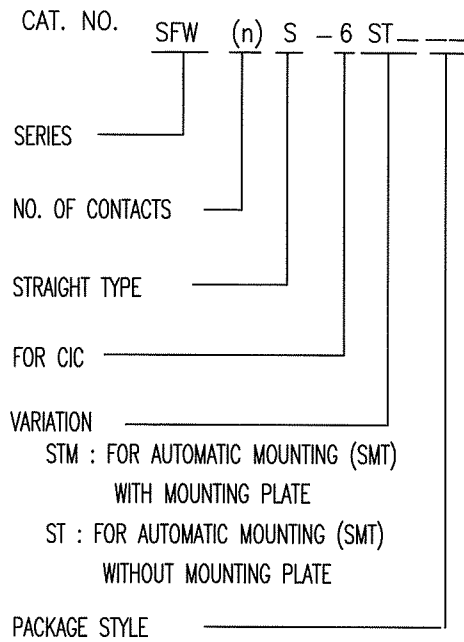
1. THIS PRODUCT IS THE CONNECTOR DESIGNED TO TERMINATE CIC AND COPE WITH AUTOMATIC MOUNTING (SMT).
2. FLATNESS OF CONTACT TERMINAL AND MOUNTING PLATE MUST BE WITHIN TOLERANCE IN Z PORTION DETAILED DRAWING.
3. THIS DIMENSION IS SPACE FOR THE NOZZLE OF MOUNTER.

|                           |  |  |  |  |  |            |  |  |  |               |  |
|---------------------------|--|--|--|--|--|------------|--|--|--|---------------|--|
| mat'l. code               |  |  |  | surface 58 / tolerance ISO 1302 / ISO 406 / ISO 1101 |  | projection |  | product family   |  | CODE JP       |  |
| ltr ecn no dr date        |  |  |  | tolerances unless otherwise specified                |  | mm         |  | title  |  |               |  |
| AA J04-0333 H.T Oct.13/04 |  |  |  | ±0.2   |  | mm         |  | 1mm SPACING SURFACE MOUNT CIC CONNECTOR (CAT.No.SFW__S-6STM__) |  |               |  |
| AB J06-0430 H.T 10/19/06  |  |  |  | angles linear  |  | scale      |  | dwg no   |  | sheet of size |  |
|                           |  |  |  |  |  | FCJ        |  | JSA 93901  |  | A4            |  |
| sheet index               |  |  |  | revision AB  |  | type       |  | Product Customer Drawing                                       |  |               |  |
| 1                         |  |  |  | 1  |  |            |  | Rev. AB  |  |               |  |

Copyright FCI. FCIconnect.com

CAT. NO. & DIMENSIONS

| (NOTE4) | NO. OF CONTACTS (n) | CAT. NO. (NOTE2) | DIMENSIONS (NOTE3) |         |         |
|---------|---------------------|------------------|--------------------|---------|---------|
|         |                     |                  | D ± 5              | E ± 0.3 | F ± 0.1 |
|         | 4                   | SFW4S-6ST_E1     | 28.4               | 24      | —       |
|         | 5                   | SFW5S-6ST_E1     | 28.4               | 24      | —       |
|         | 6                   | SFW6S-6ST_E1     | 28.4               | 24      | —       |
| *       | 7                   | SFW7S-6ST_E1     | 28.4               | 24      | —       |
|         | 8                   | SFW8S-6ST_E1     | 28.4               | 24      | —       |
| *       | 9                   | SFW9S-6ST_E1     | 28.4               | 24      | —       |
|         | 10                  | SFW10S-6ST_E1    | 28.4               | 24      | —       |
|         | 11                  | SFW11S-6ST_E1    | 28.4               | 24      | —       |
| *       | 12                  | SFW12S-6ST_E1    | 36.4               | 32      | 28.4    |
|         | 13                  | SFW13S-6ST_E1    | 36.4               | 32      | 28.4    |
|         | 14                  | SFW14S-6ST_E1    | 36.4               | 32      | 28.4    |
|         | 15                  | SFW15S-6ST_E1    | 36.4               | 32      | 28.4    |
|         | 16                  | SFW16S-6ST_E1    | 48.4               | 44      | 40.4    |
|         | 17                  | SFW17S-6ST_E1    | 48.4               | 44      | 40.4    |
| *       | 18                  | SFW18S-6ST_E1    | 48.4               | 44      | 40.4    |
| *       | 19                  | SFW19S-6ST_E1    | 48.4               | 44      | 40.4    |
|         | 20                  | SFW20S-6ST_E1    | 48.4               | 44      | 40.4    |
| *       | 21                  | SFW21S-6ST_E1    | 48.4               | 44      | 40.4    |
|         | 22                  | SFW22S-6ST_E1    | 48.4               | 44      | 40.4    |
|         | 23                  | SFW23S-6ST_E1    | 48.4               | 44      | 40.4    |
|         | 24                  | SFW24S-6ST_E1    | 48.4               | 44      | 40.4    |
| *       | 25                  | SFW25S-6ST_E1    | 48.4               | 44      | 40.4    |
|         | 26                  | SFW26S-6ST_E1    | 48.4               | 44      | 40.4    |
| *       | 27                  | SFW27S-6ST_E1    | 60.4               | 56      | 52.4    |
|         | 28                  | SFW28S-6ST_E1    | 60.4               | 56      | 52.4    |
|         | 29                  | SFW29S-6ST_E1    | 60.4               | 56      | 52.4    |
|         | 30                  | SFW30S-6ST_E1    | 60.4               | 56      | 52.4    |
| *       | 31                  | SFW31S-6ST_E1    | 60.4               | 56      | 52.4    |
| *       | 32                  | SFW32S-6ST_E1    | 60.4               | 56      | 52.4    |



NOTES

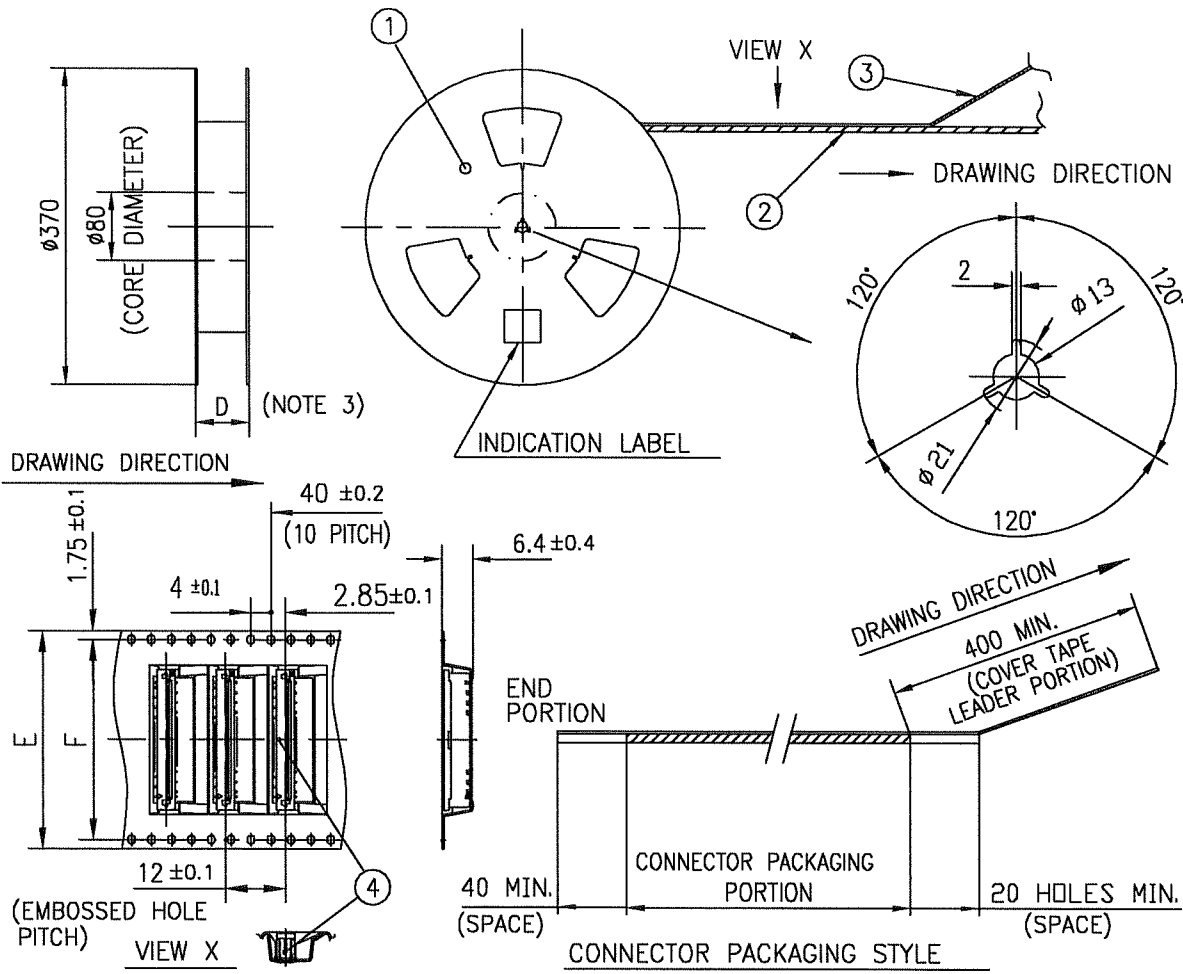
1. THIS PRODUCT IS THE CONNECTOR DESIGNED TO TERMINATE CIC AND COPE WITH AUTOMATIC MOUNTING (SMT).
2. THIS CATALOG NO. INDICATES PLASTIC TAPE PACKAGED CONNECTOR.
3. SEE PART DRAWINGS FOR DIMENSIONS D~F.
4. PLEASE CONSULT US IN CASE OF USING PARTS WITH \* MARK.



FCIconnect.com

Copyright FCI.

|                            |  |                |  |  |  |            |  |   |  |         |  |
|----------------------------|--|----------------|--|--|--|------------|--|---|--|---------|--|
| mat'l. code                |  |                |  | surface 58 / tolerance ISO 1302 / ISO 406 / ISO 1101 |  | projection |  | product family 58SF   |  | CODE JP |  |
| ltr ecn no dr date         |  |                |  | tolerances unless otherwise specified                |  | mm         |  | title   |  |         |  |
| AA J04-0333 H.T 2004-10-13 |  |                |  | angles linear  |  | mm         |  | CAT. NO. TABLE FOR PLASTIC TAPE PACKAGED 1mm SPACING SMT CONN. (CAT.No.SFW__S-6ST_E1) |  |         |  |
| AB J05-0547 H.T 2005-8-30  |  |                |  |  |  | scale X    |  | dwg no sheet 1 of 1 size  |  |         |  |
| AC J06-0430 H.T 2006-10-19 |  |                |  |  |  | FCI        |  | JSA 93902 A4  |  |         |  |
| AD J07-0407 H.T 2007-8-9   |  |                |  | dr engr chr app                                      |  |            |  | type Product Customer Drawing   |  |         |  |
| sheet index                |  | revision sheet |  | AD 1   |  |            |  |   |  | Rev AD  |  |



| PT. NO. | PARTS NAME              | CAT. NO.     | MATERIAL          | Q'TY | NOTE               |
|---------|-------------------------|--------------|-------------------|------|--------------------|
| 1       | REEL                    | _____        | CARDBOARD         | 1    | COLOR:GRAY         |
| 2       | PLASTIC (EMBOSSED) TAPE | _____        | PET               | —    | COLOR:TRANSPARENCY |
| 3       | COVER                   | _____        | POLYESTER         | —    | COLOR:TRANSPARENCY |
| 4       | CONNECTOR               | SFW__S-6ST__ | SEE ATTACHED DWG. | 1000 | _____              |

NOTES

1. THIS IS PLASTIC TAPE PACKAGED CONNECTOR USED FOR CIC AND COPES WITH AUTOMATIC MOUNTING (SMT).
2. SEE JIS C 0806 (PACKING OF ELECTRONIC COMPONENTS ON CONTINUOUS TAPES (SURFACE MOUNTING DEVICES)) FOR SHAPE AND DIMENSIONS OF PLASTIC (EMBOSSED) TAPE AND REEL.
3. D DIMENSION IS PORTION OF THE CORE.

|             |          |                |            |  |        |            |  |  |  |         |  |
|-------------|----------|----------------|------------|--|--------|------------|--|--|--|---------|--|
| mat'l. code |          |                |            | surface 58 / tolerance ISO 1302 ✓ / ISO 406 / ISO 1101 |        | projection |  | product family 58SF  |  | CODE JP |  |
| ltr         | ecn no   | dr             | date       | tolerances unless otherwise specified                  |        | mm         |  | title  |  |         |  |
| AA          | J04-0333 | H.T            | Oct.13,'04 | angles   | linear | mm         |  | PLASTIC TAPE PACKAGED 1mm SPACING SMT CONNECTOR (CAT.No.SFW__S-6ST_E1) |  |         |  |
| AB          | J06-0430 | H.T            | 10/19/06   | ±5'  |        | scale X    |  | dwg no sheet 1 of 1 size   |  |         |  |
|             |          |                |            | dr   |        | FCJ        |  | JSA 93903 A4   |  |         |  |
|             |          |                |            | enr  |        |            |  | type Product Customer Drawing  |  |         |  |
|             |          |                |            | chr  |        |            |  | Rev. AB  |  |         |  |
|             |          |                |            | appd   |        |            |  |  |  |         |  |
| sheet index |          | revision sheet |            | AB 1   |        |            |  |  |  |         |  |

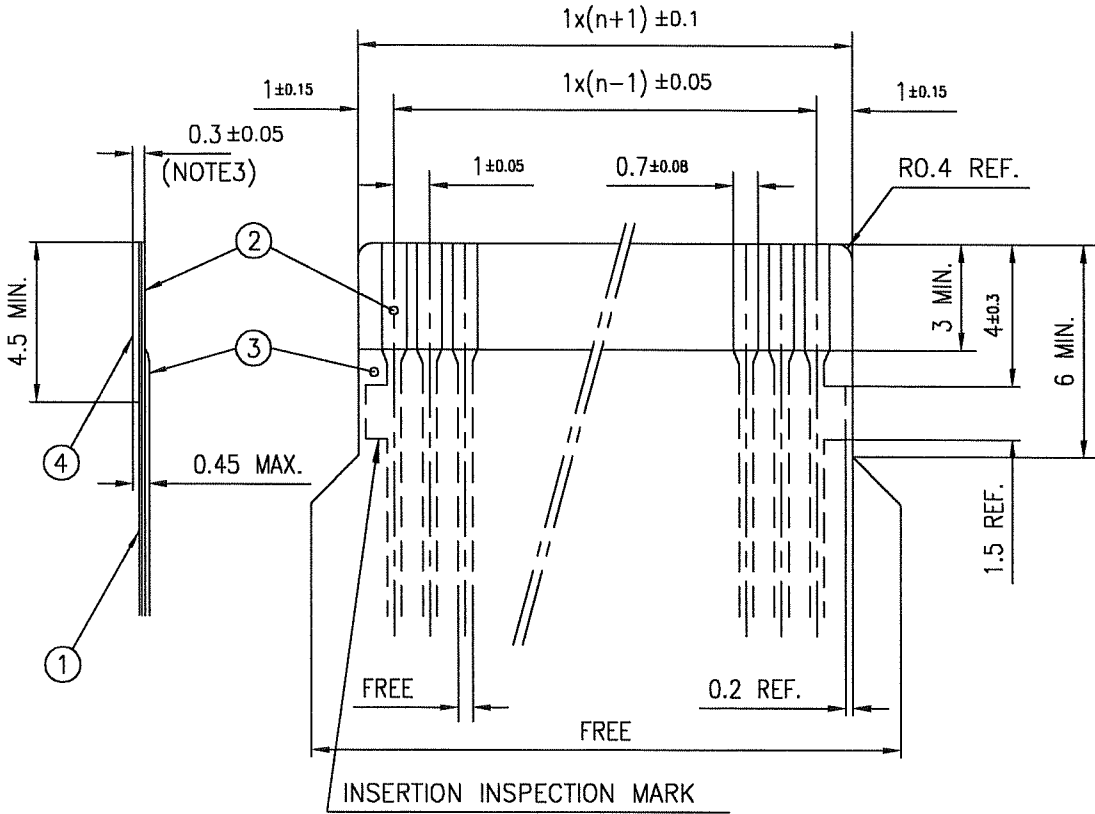


FCJconnect.com

Copyright FCJ.

RECOMMENDED CABLE (CIC)

n : NO. OF CONDUCTOR



| PT. NO. | PARTS NAME      | MATERIAL                        | THICKNESS (μm) |     |
|---------|-----------------|---------------------------------|----------------|-----|
| 1       | BASE FILM       | POLYESTER OR EQUAL              | 75             | 25  |
| 2       | CONDUCTOR       | CARBON PASTE OVER SILVER PASTE  | 10 MIN.        |     |
| 3       | OVERLAY         | POLYIMIDE OR POLYESTER OR EQUAL | —              |     |
| 4       | SUPPORTING TAPE | POLYESTER OR POLYIMIDE OR EQUAL | 188            | 250 |


NOTES

1. NO BURR AT EACH PORTION.
2. NO PEELING IN COMMON USE.
3. TOTAL THICKNESS LIMIT OF EACH MATERIAL (INCLUDING ADHESIVE AGENT) IS SPECIFIED.



FCIconnect.com

Copyright FCI.

|             |  |                |  |                          |  |                                  |  |                  |  |  |  |            |  |
|-------------|--|----------------|--|--------------------------|--|----------------------------------|--|------------------|--|--|--|------------|--|
| mat'l. code |  |                |  | surface 58<br>ISO 1302 ✓ |  | tolerance<br>ISO 406<br>ISO 1101 |  | projection<br>mm |  | product family<br>58SF   |  | CODE<br>JP |  |
| ltr         |  |                |  | ecn no                   |  | dr                               |  | date             |  | title<br>RECOMMENDED CABLE<br>(CAT.No.SFW__S-6ST__)  |  |            |  |
| AA          |  |                |  | J04-0333                 |  | H.T.                             |  | Oct.13,'04       |  |  dwg no JSA 93904 sheet 1 of 1 size A4<br>type Product Customer Drawing |  |            |  |
| AB          |  |                |  | J06-0430                 |  | H.T.                             |  | 10/19/06         |  |  |  |            |  |
|             |  |                |  |                          |  |                                  |  |                  |  |  |  |            |  |
|             |  |                |  |                          |  |                                  |  |                  |  |  |  |            |  |
|             |  |                |  | dr                       |  | 10/19/06                         |  |                  |  |  |  |            |  |
|             |  |                |  | enr                      |  | 10/19/06                         |  |                  |  |  |  |            |  |
|             |  |                |  | chr                      |  | 10/19/06                         |  |                  |  |  |  |            |  |
|             |  |                |  | appd                     |  | 10/20/06                         |  |                  |  |  |  |            |  |
| sheet index |  | revision sheet |  | AB                       |  | 1                                |  |                  |  |  |  | Rev. AB    |  |