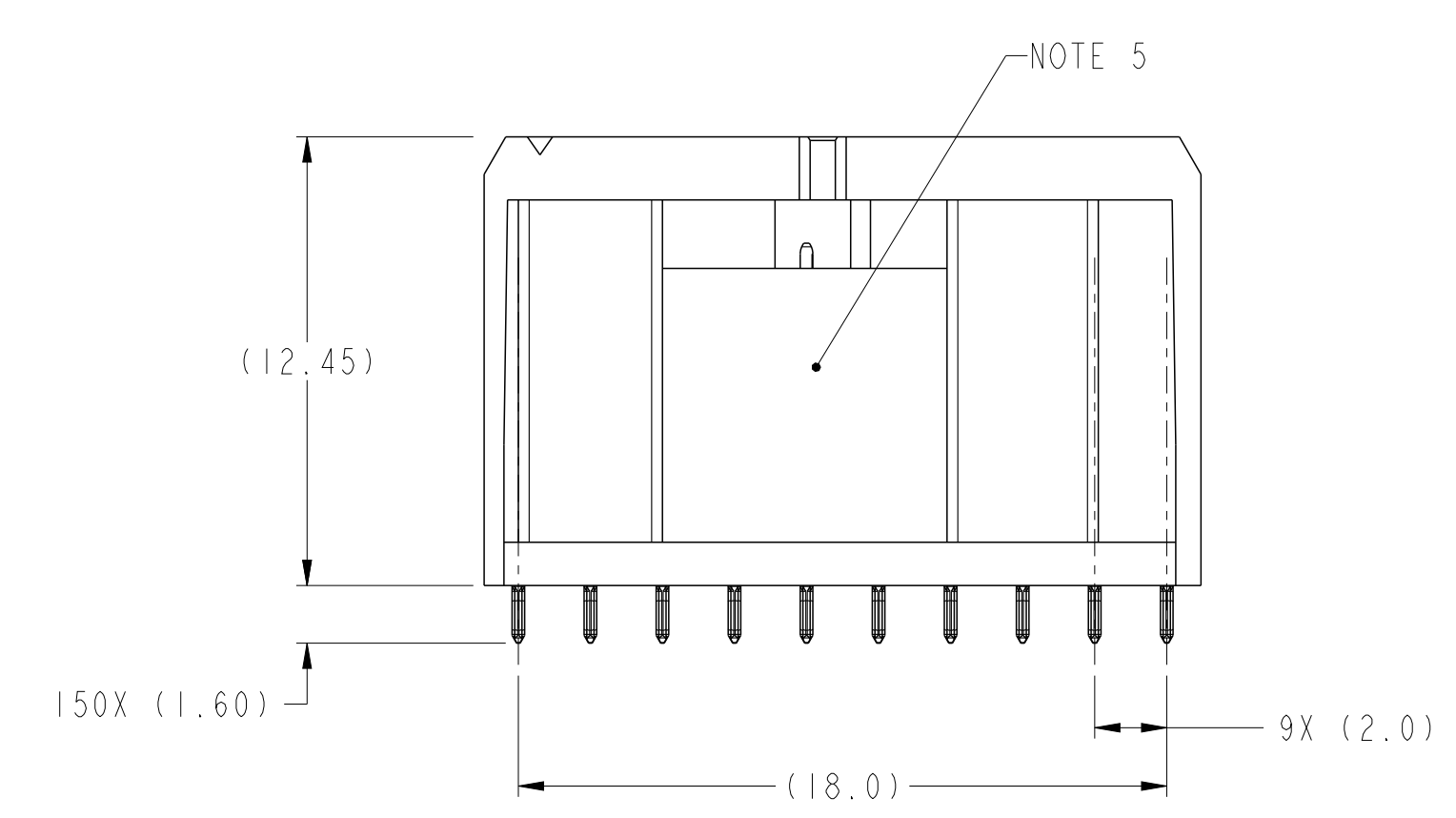
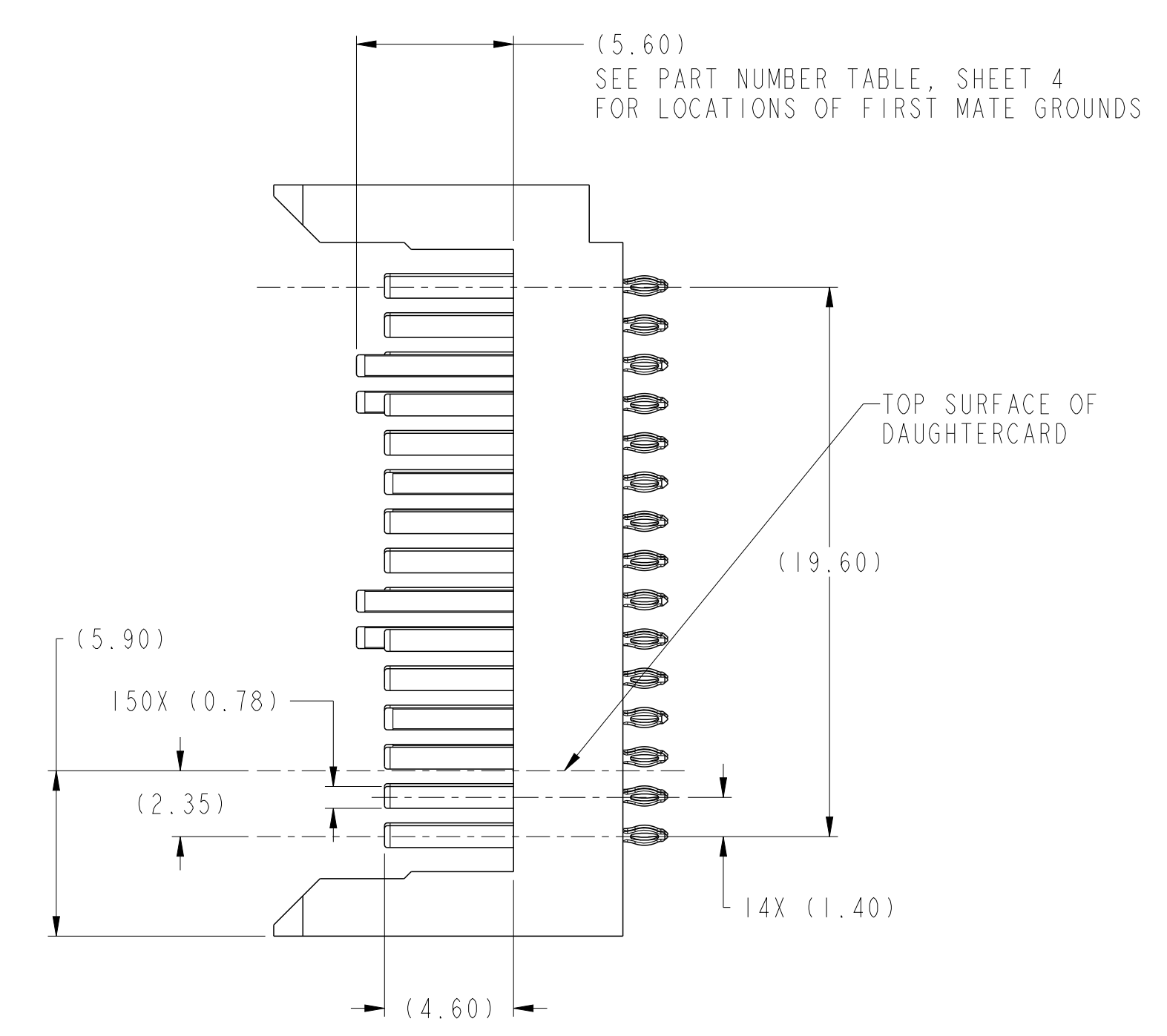
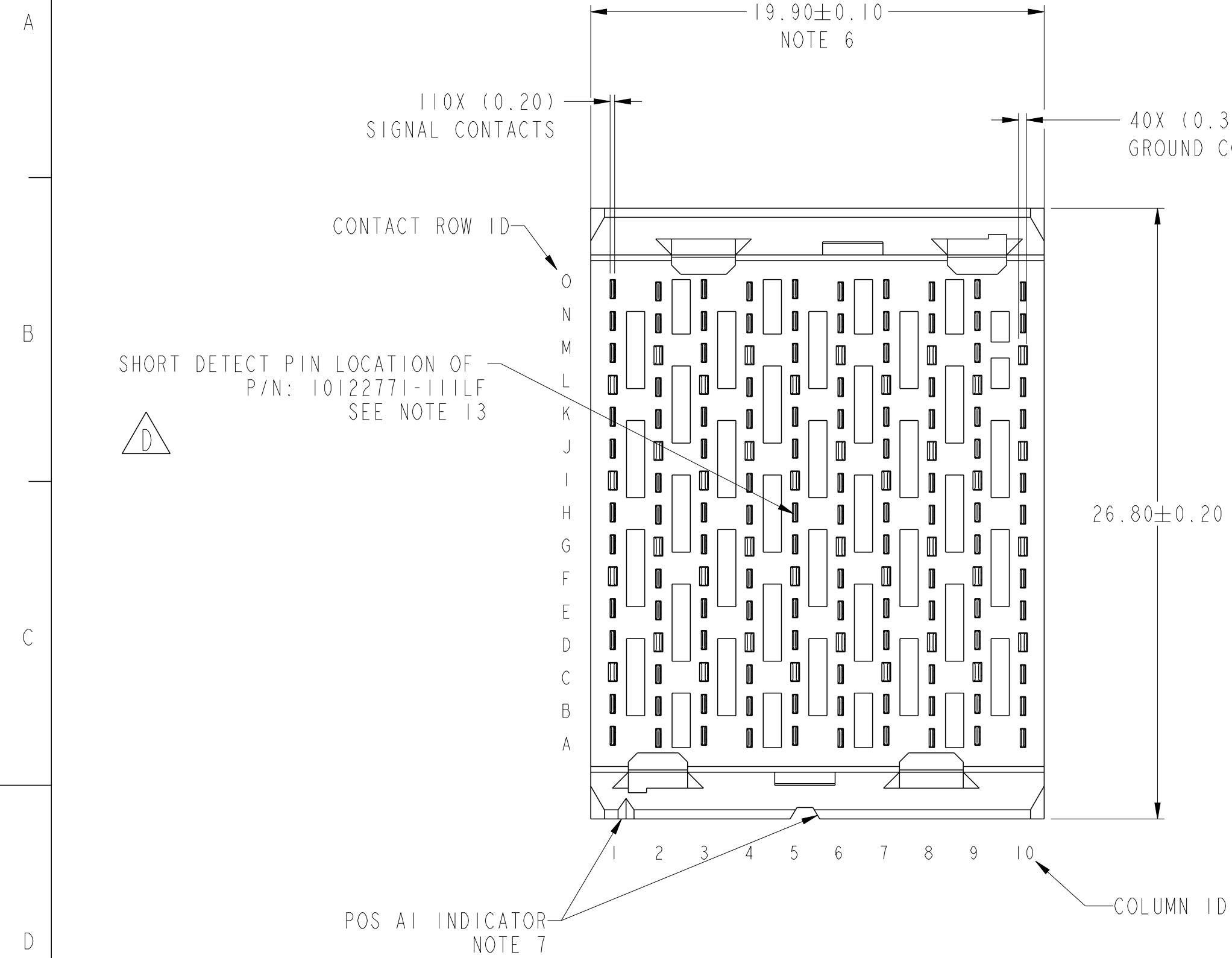


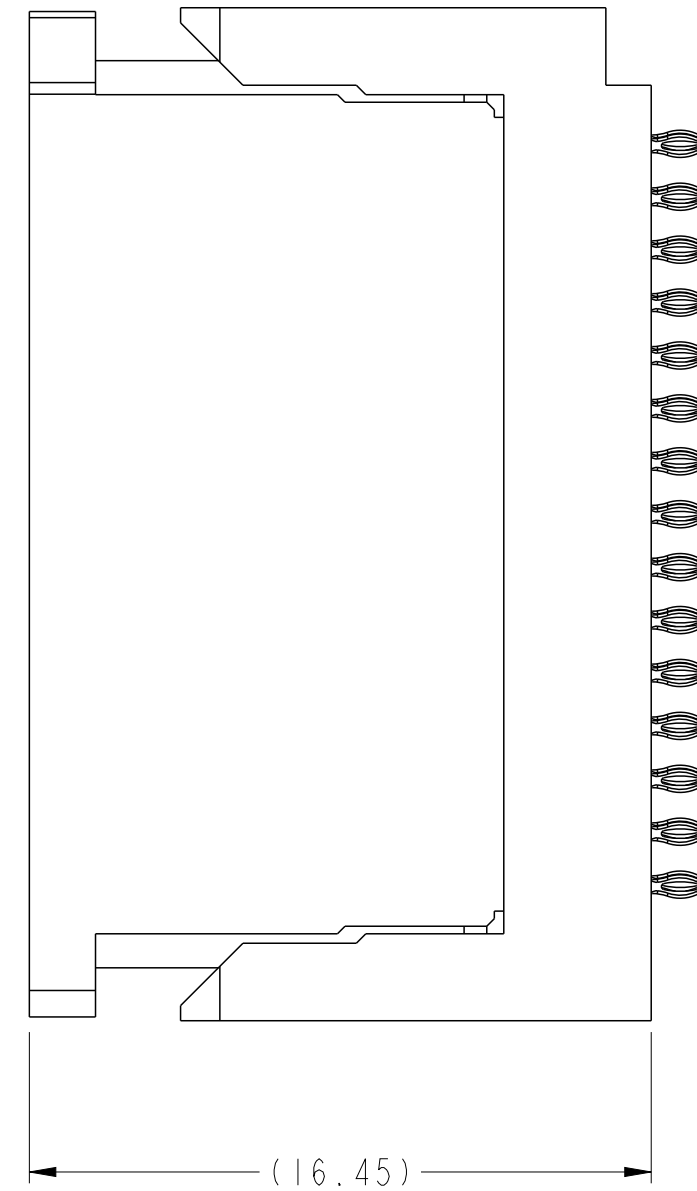
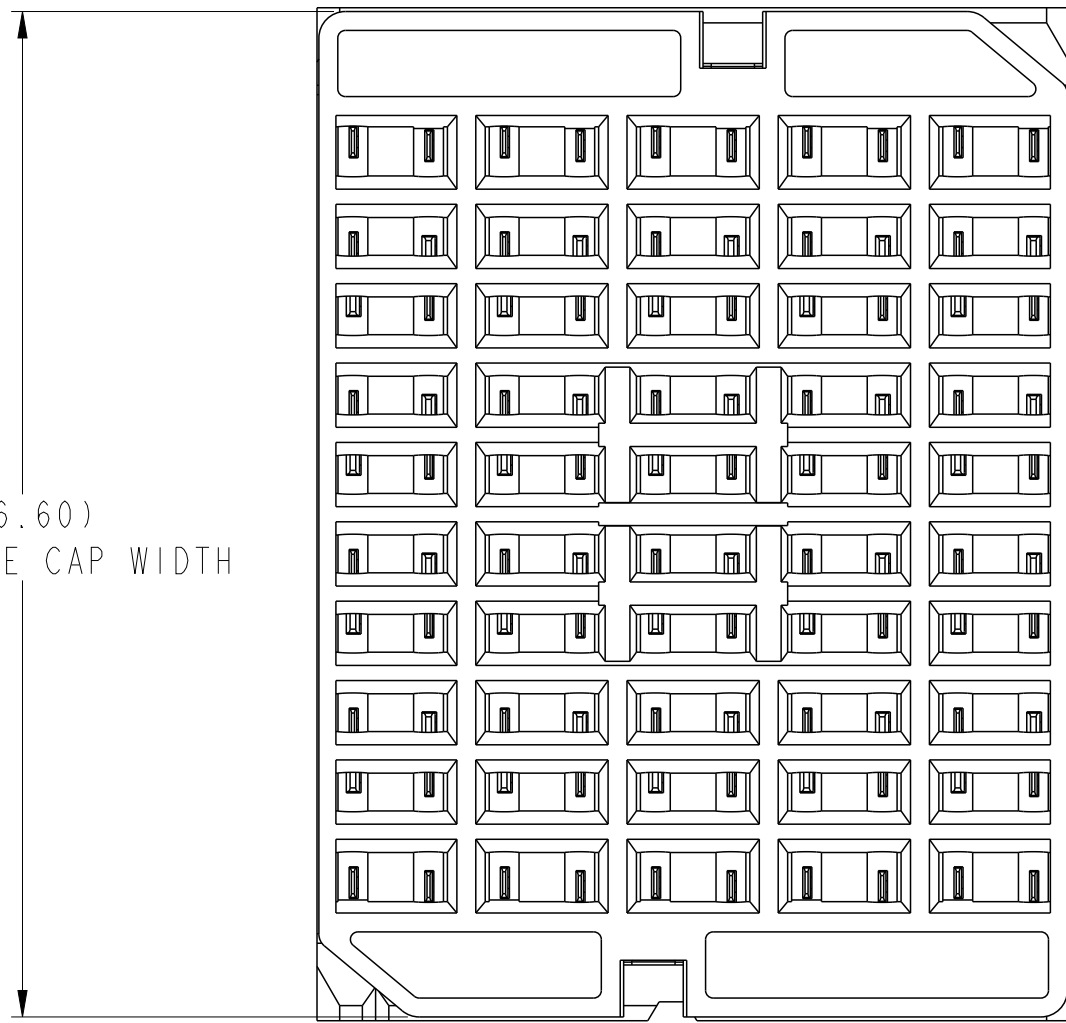
Product number  
SEE TABLE, SHT 4



Copyright FCI. FCI

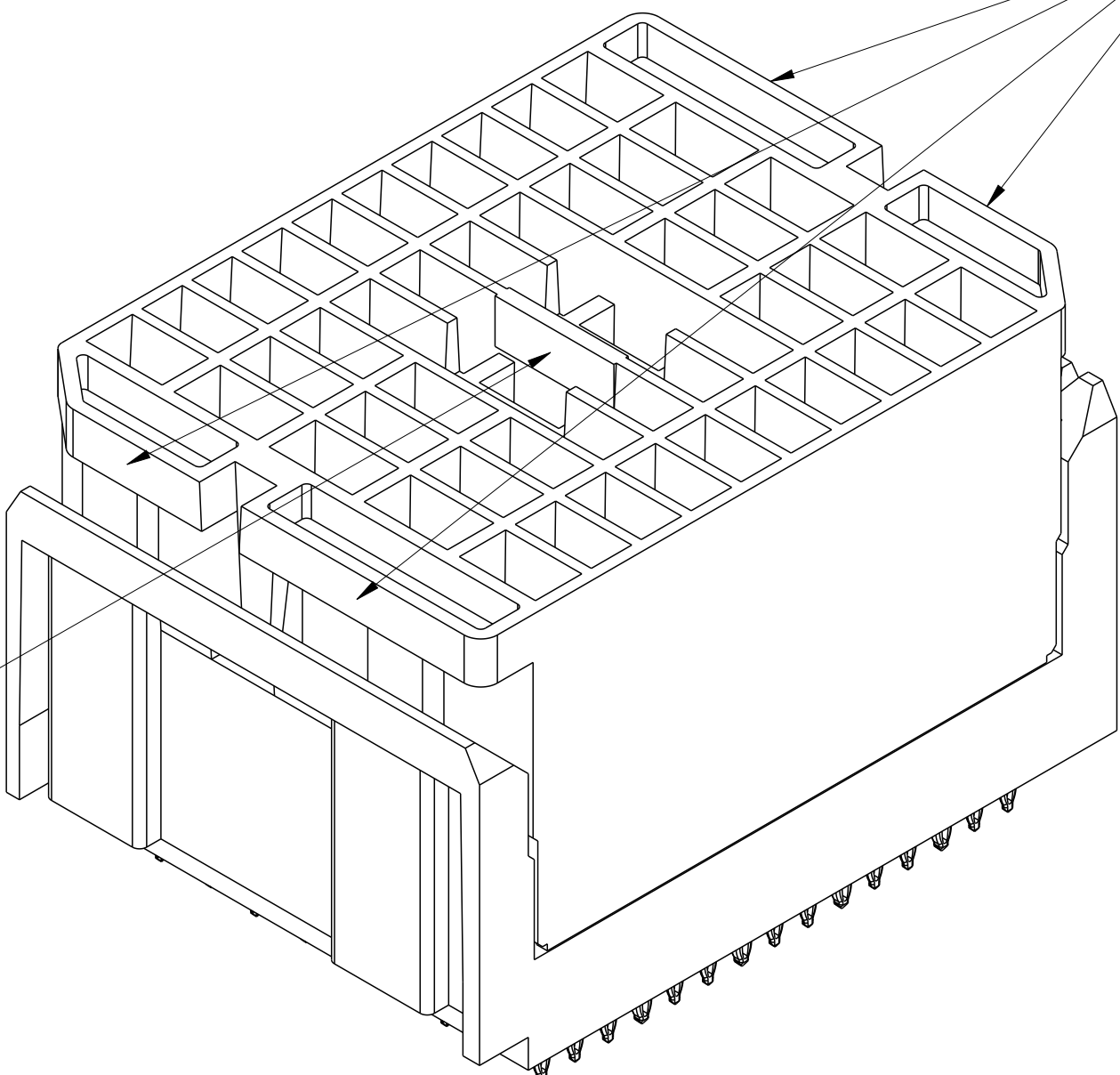
spec ref	-	dr	Sander Soe	2012/09/12	projection	MM	size	A2	scale	5:1	
tolerance std	ASME Y14.5	eng	Tao Zhan	2015/04/23			ecn no	ELX-DG-20731-1	rel level	Released	
TOLERANCES UNLESS OTHERWISE SPECIFIED		chr	-	appr			Collins Lu	2015/04/27		product family	AIRMAX VS
surface	✓	linear	0.X	±0.3		<b>AIRMAX VS2 VERTICAL HEADER</b> 5 PAIR 150 POS 2MM 10 COL	cat. no.	-	Product - Customer Drw	sheet 1 of 4	
		angular	0°	±2°			www.fci.com	title	10122771	rev	D

(26.60)  
PROTECTIVE CAP WIDTH



(16.45)

NOTE 11



NOTE 12

VIEWS SHOWN WITH  
PROTECTIVE COVER INSTALLED  
10122771-101LF

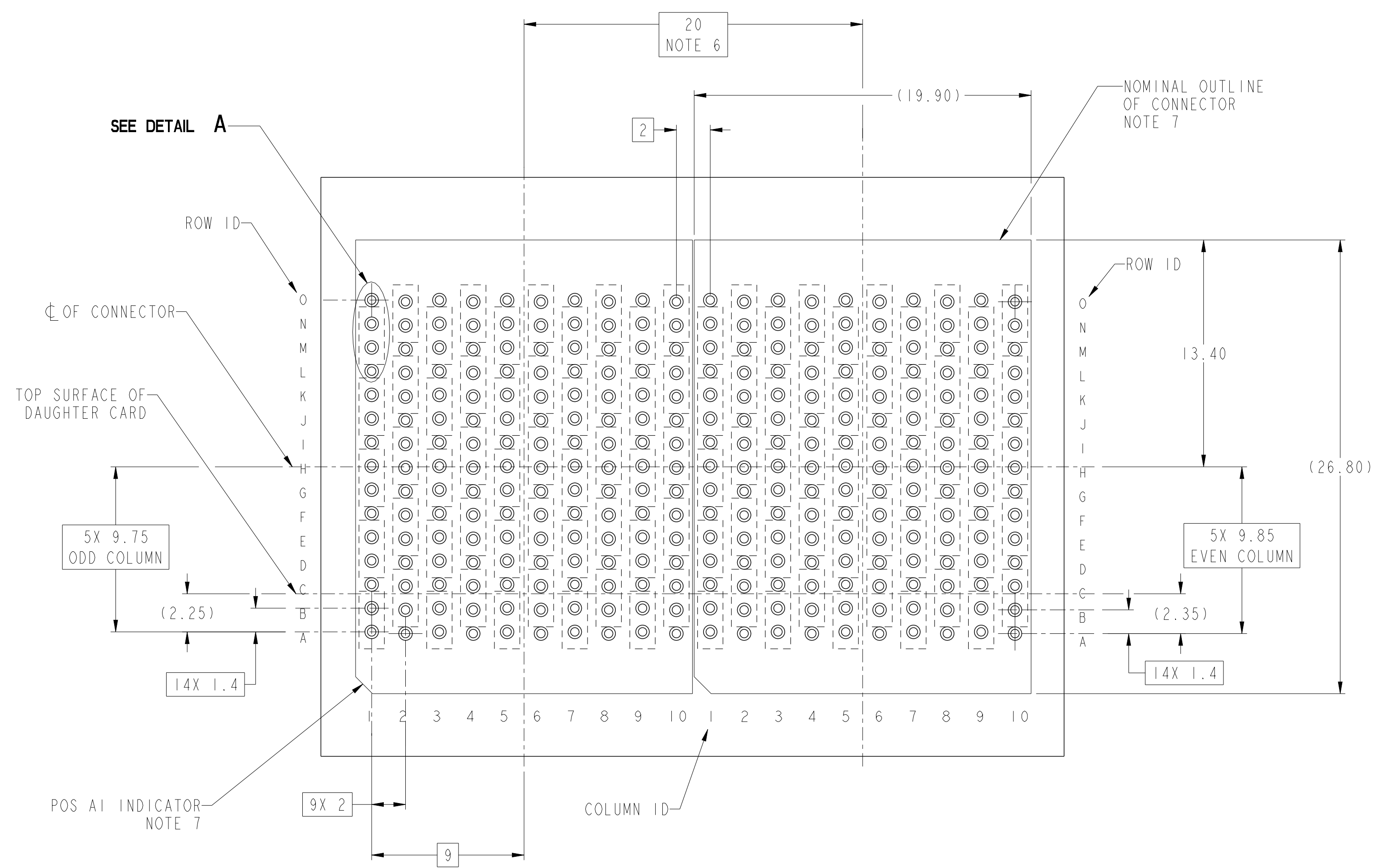
Copyright FCI.  
**FCI**

spec ref	-	dr	Sander Soe	2012/09/12	projection	MM	size	A2	scale	5:1
tolerance std	ASME Y14.5	eng	Tao Zhan	2015/04/23			ecn no	ELX-DG-20731-1		
		chr	-	rel level			Released			
		appr	Collins Lu	2015/04/27	product family	AIRMAX VS	rel level	Released		
surface	✓	linear	0.X	±0.3		<b>AIRMAX VS2 VERTICAL HEADER</b> 5 PAIR 150 POS 2MM 10 COL	dwg no	10122771		
			0.XX	±0.10			rev	D		
		angular	0°	±2°			cat. no.	-		
					www.fci.com	Product - Customer Drw	sheet 2 of 4			

PDS: Rev :D

STATUS:Released

Printed: Apr 28, 2015

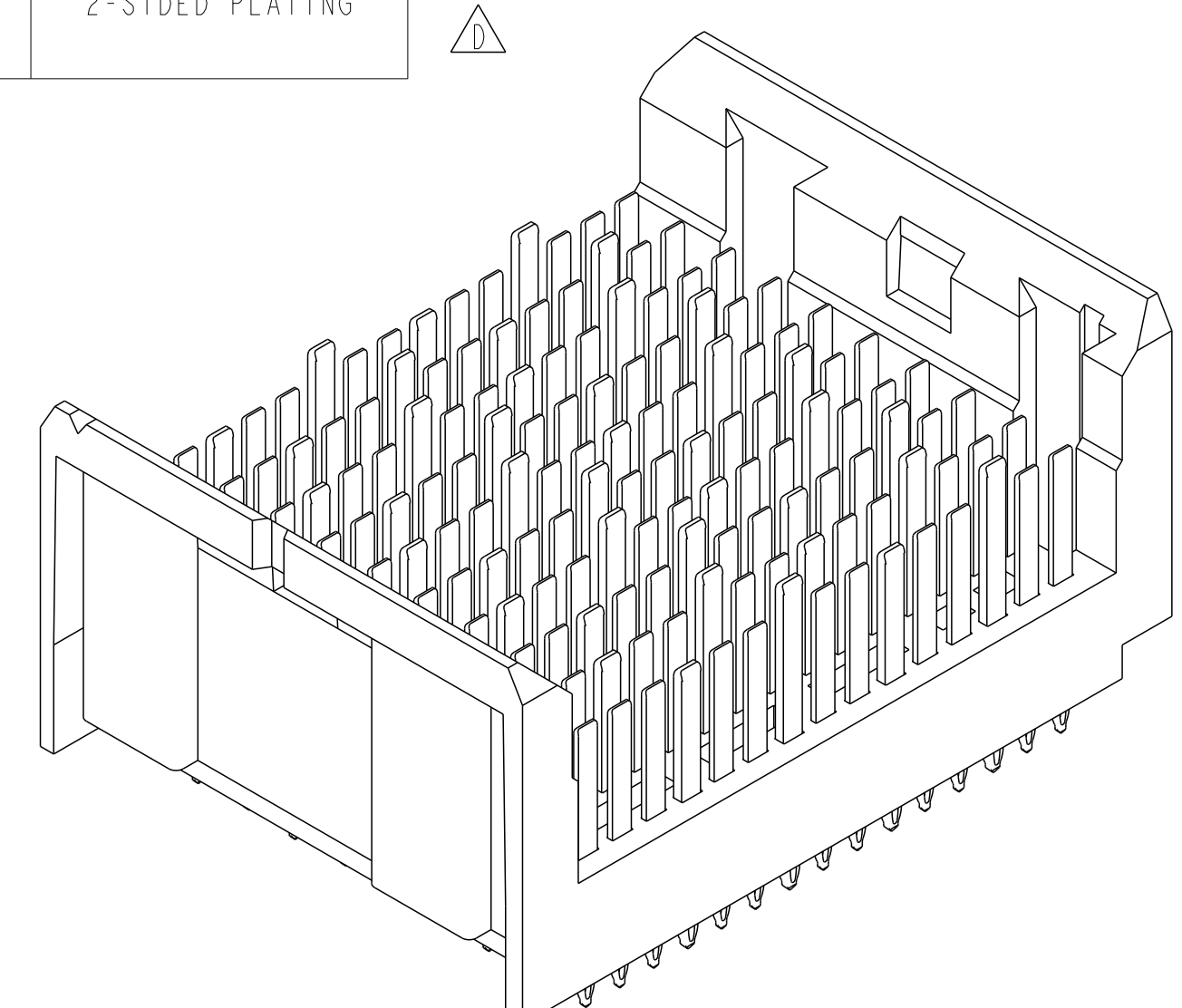


RECOMMENDED PCB LAYOUT  
FOR DIFFERENTIAL APPLICATIONS,  
COMPONENT SIDE  
(TWO ADJACENT FOOTPRINTS SHOWN)  
NOTES 6, AND 8



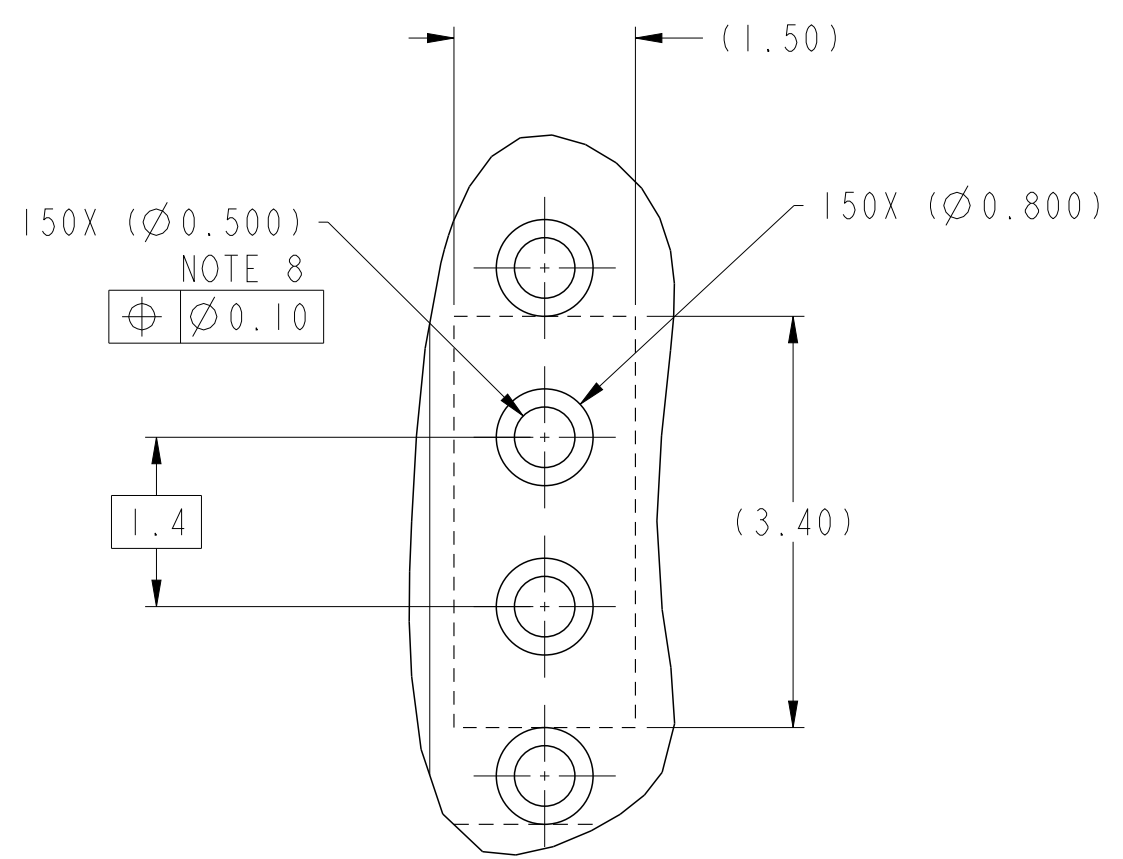
spec ref	-	dr	Sander Soe	2012/09/12	projection	MM	size	A2	scale	3:1
tolerance std	ASME Y14.5	eng	Tao Zhan	2015/04/23			ecn no	ELX-DG-20731-1	rel level	Released
TOLERANCES UNLESS OTHERWISE SPECIFIED		chr	-	product family			AIRMAX VS			
surface	ASME Y14.5	appr	Collins Lu	2015/04/27			cat. no.	-		Product - Customer Drw
linear	0.X ±0.3 0.XX ±0.10 0.XXX ±0.050			title AIRMAX VS2 VERTICAL HEADER 5 PAIR 150 POS 2MM 10 COL		dwg no 10122771	rev D			
angular	0° ±2°	www.fci.com		PDS: Rev :D		STATUS:Released		Printed: Apr 28, 2015		

PART NUMBER	PRESS-FIT TAIL PLATING TYPE	PROTECTIVE COVER	FIRST MATE PIN LOCATIONS (5.6mm)	SHORT DETECT PIN LOCATION	REMARKS
10122771-101LF	TIN OVER NICKEL (LEAD FREE)	YES	F1, F3, F5, F7, F9, G2, G4, G6, G8, G10, L1, L3, L5, L7, L9, M2, M4, M6, M8, M10	NA	2-SIDED PLATING
10122771-111LF	TIN OVER NICKEL (LEAD FREE)	YES	F1, F3, F5, F7, F9, G2, G4, G6, G8, G10, L1, L3, L5, L7, L9, M2, M4, M6, M8, M10	H5 (SEE NOTE 13)	2-SIDED PLATING



10122771-101LF  
(WITHOUT PROTECTIVE COVER)

- NOTES:
- CONNECTOR MATERIALS:  
HOUSING: HIGH TEMP THERMOPLASTIC, BLACK, UL94V-0  
CONTACT: COPPER ALLOY
  - CONTACT PLATING:  
SEPARABLE INTERFACE: PERFORMANCE-BASED PLATING, QUALIFIED TO MEET THE REQUIREMENTS OF FCI PRODUCT SPECIFICATION GS-12-239 INCLUDING TELCORDIA GR-1217-CORE (NOVEMBER 1995) CENTRAL OFFICE TEST SEQUENCE  
PRESS-FIT TAILS: SEE TABLE
  - PRODUCT SPECIFICATION: GS-12-239.
  - APPLICATION SPECIFICATION: GS-20-035.
  - PRODUCT MARKING, (PROTOTYPE, PART NUMBER & LOT CODE), ON THIS SURFACE.
  - THE MINIMUM CENTERLINE SPACING BETWEEN ADJACENT MODULES IS 20.0 mm.
  - CONNECTOR OUTLINE WITH HOUSING POS AI INDICATOR MAY BE SCREEN PRINTED ONTO CUSTOMER PCB TO BE USED AS A GUIDE FOR MANUAL CONNECTOR PLACEMENT.
  - REFER TO CUSTOMER DRAWING 10045979 FOR INFORMATION ON PCB HOLE DIAMETERS AND PLATING OPTIONS.
  - THIS PRODUCT MEETS EUROPEAN UNION DIRECTIVES AND OTHER COUNTRY REGULATIONS AS DESCRIBED IN GS-22-008.
  - PACKAGING MEETS GS-14-920 LEAD FREE LABELING SPECIFICATION.
  - FOR REMOVAL OF THE PROTECTIVE CAP BY HAND GRIP USING THESE SURFACES.
  - FOR REMOVAL OF THE PROTECTIVE CAP WITH PLIERS GRIP USING THIS FEATURE.
  - SHORT DETECT PIN IS 0.50mm LESS WIPE NOMINAL THAN THE SHORTEST PIN.
  - A SYMBOL WILL BE NEXT TO ANY DIMENSION, VIEW, OR NOTE THAT HAS BEEN MODIFIED WITH THE CURRENT DRAWING REVISION.



DETAIL A  
SCALE 16:1

spec ref	-	dr	Sander Soe	2012/09/12	projection	MM	size	A2	scale	5:1
tolerance std	ASME Y14.5	eng	Tao Zhan	2015/04/23			ecn no	ELX-DG-20731-1		
		chr	-	rel level			Released			
surface	✓	appr	Collins Lu	2015/04/27	product family	AIRMAX VS	cat. no.	10122771	rev	D
ASME Y14.5	angular	0°	±2°	www.fci.com	Product - Customer Drw	sheet 4 of 4				