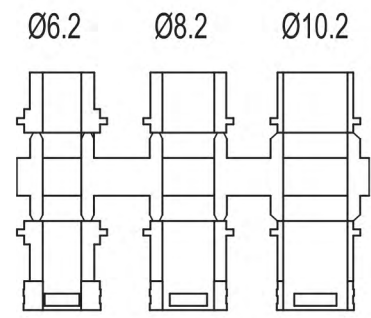
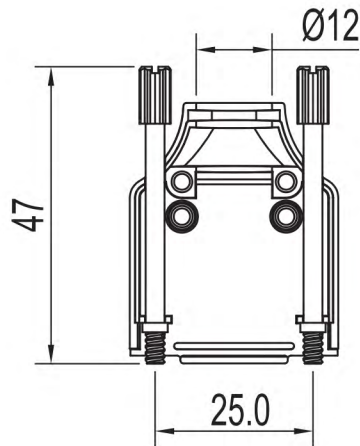
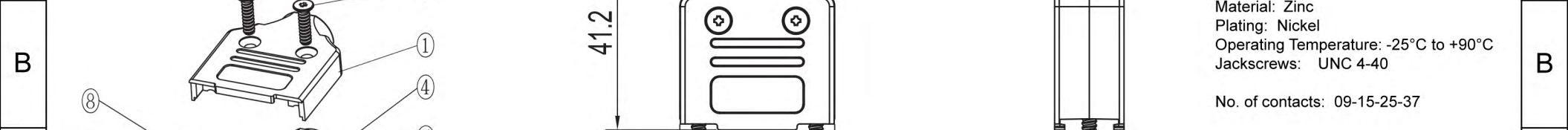


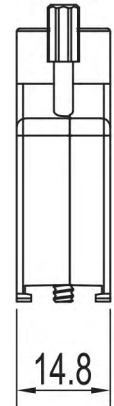
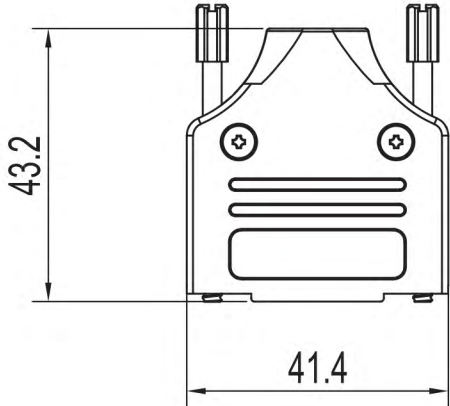
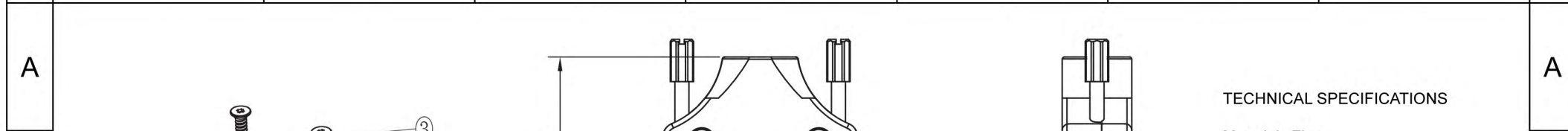
**TECHNICAL SPECIFICATIONS**  
 Material: Zinc  
 Plating: Nickel  
 Operating Temperature: -25°C to +90°C  
 Jackscrews: UNC 4-40  
 No. of contacts: 09-15-25-37



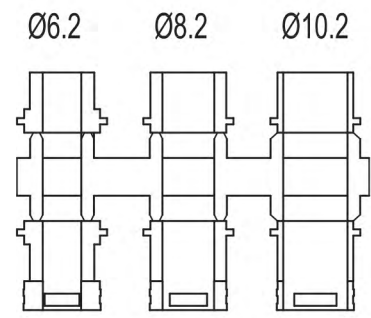
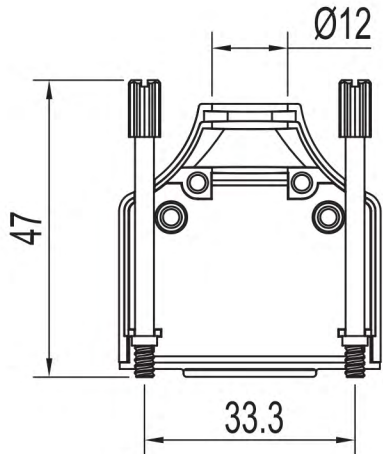
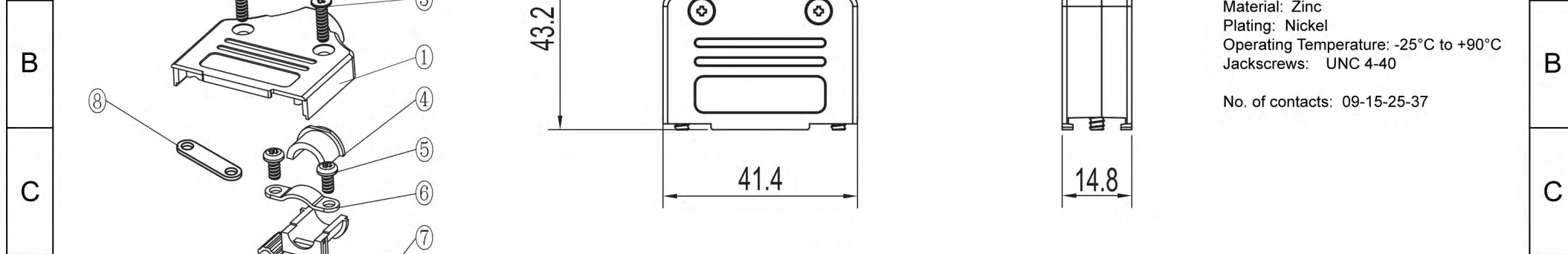
Grommet Set

Item	QTY	Part description
1	1	Upper Cover
2	1	Lower Cover
3	2	M3x12 CSK Screw
4	1	Grommet Set
5	2	M3x6 Screw
6	1	Clamp-Rounded
7	2	Thumbscrew UNC4-40x47
8	1	Clamp-Flat

G	<b>RoHS compliant</b> Unit: mm		Scale	Free				Date	Name	Customer-No.	
			TOLERANCE					Drawn	17.08.2017	S.Bölling	ASSMANN WSW-No. <b>ACOV-SUB-09MB26</b>
			0~6	±0.10				Approved	17.08.2017	S.Bölling	
H			6~30	±0.20							Drawing-No.
			30~120	±0.30							<b>ASS_5267_CO</b>
			120~400	±0.50							rev00
			DIM	Tol	©	Drawn	17.08.2017	S.Bölling			Replace
		Angle	±1°					Sheet 1/4			
		Angle	Tol	Id.	Modification	Date	Name				



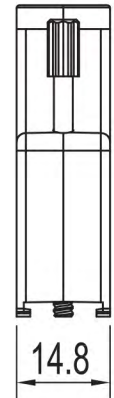
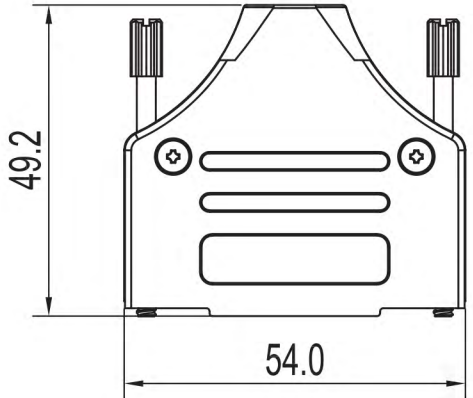
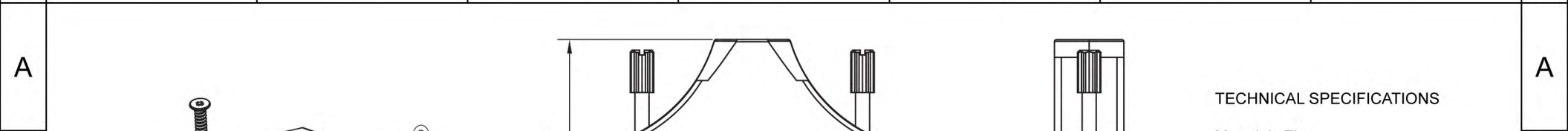
**TECHNICAL SPECIFICATIONS**  
 Material: Zinc  
 Plating: Nickel  
 Operating Temperature: -25°C to +90°C  
 Jackscrews: UNC 4-40  
 No. of contacts: 09-15-25-37



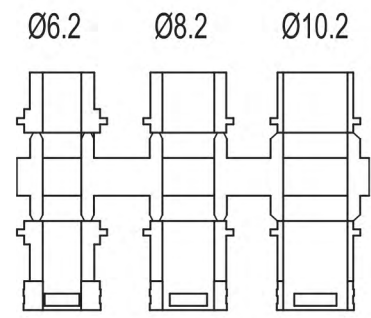
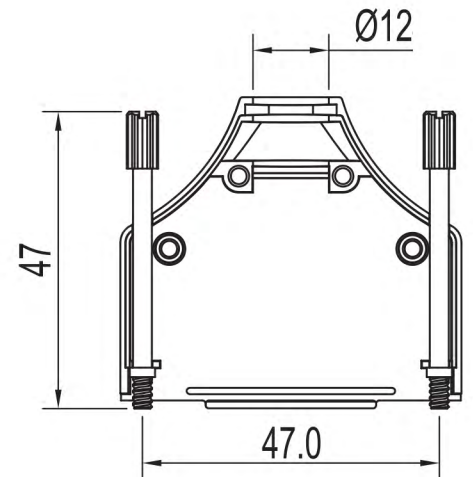
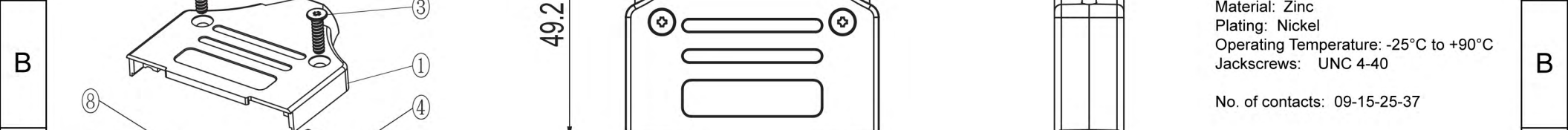
Grommet Set

Item	QTY	Part description
1	1	Upper Cover
2	1	Lower Cover
3	2	M3x12 CSK Screw
4	1	Grommet Set
5	2	M3x6 Screw
6	1	Clamp-Rounded
7	2	Thumbscrew UNC4-40x47
8	1	Clamp-Flat

G	RoHS compliant Unit: mm	Scale	Free					Date	Name	Customer-No.	
		TOLERANCE						Drawn	17.08.2017	S.Bölling	ASSMANN WSW-No. ACOV-SUB-15MB26
		0~6	±0.10					Approved	17.08.2017	S.Bölling	
6~30	±0.20										
H		30~120	±0.30							Drawing-No. ASS_5267_CO	
		120~400	±0.50								rev00
		DIM	Tol	©	Drawn	17.08.2017	S.Bölling			Replace	
		Angle	±1°								
		Angle	Tol	Id.	Modification	Date	Name				Sheet 2/4



**TECHNICAL SPECIFICATIONS**  
 Material: Zinc  
 Plating: Nickel  
 Operating Temperature: -25°C to +90°C  
 Jackscrews: UNC 4-40  
 No. of contacts: 09-15-25-37

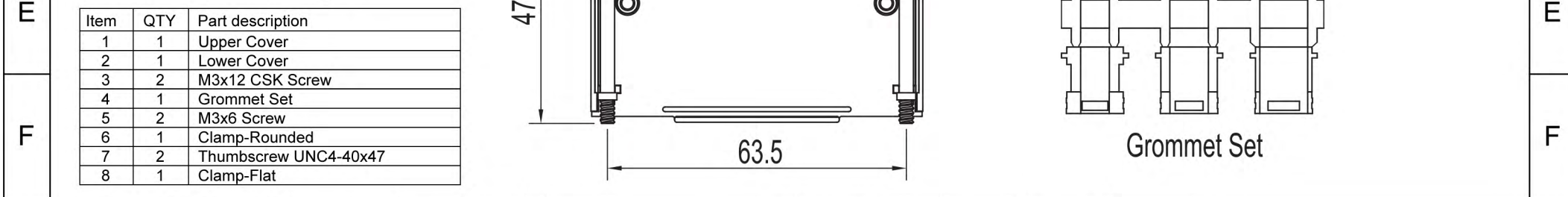
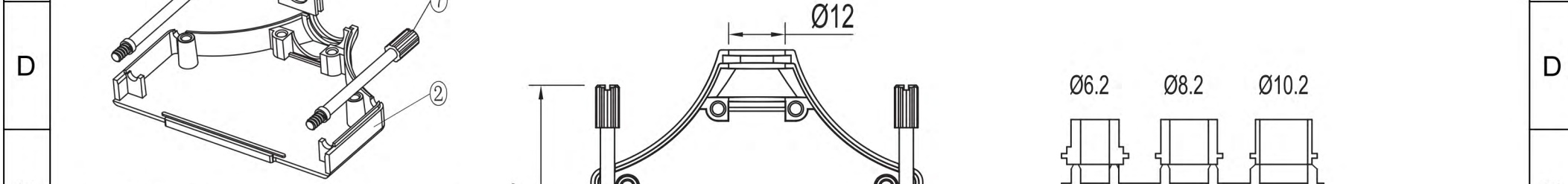
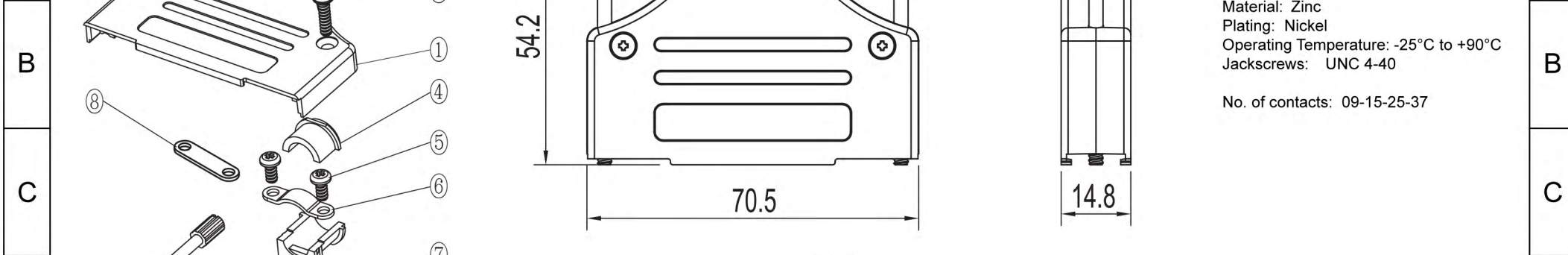
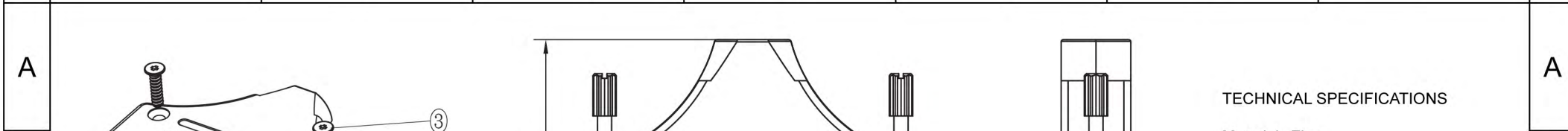


Grommet Set

Item	QTY	Part description
1	1	Upper Cover
2	1	Lower Cover
3	2	M3x12 CSK Screw
4	1	Grommet Set
5	2	M3x6 Screw
6	1	Clamp-Rounded
7	2	Thumbscrew UNC4-40x47
8	1	Clamp-Flat

G	<b>RoHS compliant</b> Unit: mm	Scale	Free					Date	Name	Customer-No.	
		TOLERANCE						Drawn	17.08.2017	S.Bölling	ASSMANN WSW-No. <b>ACOV-SUB-25MB26</b>
		0~6	±0.10				Approved	17.08.2017	S.Bölling		
		6~30	±0.20								
H		30~120	±0.30							Drawing-No.	
		120~400	±0.50							<b>ASS_5267_CO</b>	
		DIM	Tol	© Drawn	17.08.2017	S.Bölling	<b>ASSMANN</b> WSW components		Replace	rev00	
		Angle	±1°						Sheet 3/4		
		Angle	Tol	Id.	Modification	Date	Name				





**TECHNICAL SPECIFICATIONS**  
 Material: Zinc  
 Plating: Nickel  
 Operating Temperature: -25°C to +90°C  
 Jackscrews: UNC 4-40  
 No. of contacts: 09-15-25-37

Item	QTY	Part description
1	1	Upper Cover
2	1	Lower Cover
3	2	M3x12 CSK Screw
4	1	Grommet Set
5	2	M3x6 Screw
6	1	Clamp-Rounded
7	2	Thumbscrew UNC4-40x47
8	1	Clamp-Flat

G	<b>RoHS compliant</b> Unit: mm		Scale	Free				Date	Name	Customer-No.	
			TOLERANCE					Drawn	17.08.2017	S.Bölling	
			0~6	±0.10				Approved	17.08.2017	S.Bölling	ASSMANN WSW-No. ACOV-SUB-37MB26
H			6~30	±0.20							Drawing-No.
			30~120	±0.30							ASS_5267_CO
			120~400	±0.50							rev00
			DIM	Tol	©	Drawn	17.08.2017	S.Bölling	<b>ASSMANN</b> WSW components		Replace
		Angle	±1°							Sheet 4/4	
		Angle	Tol	Id.	Modification	Date	Name				