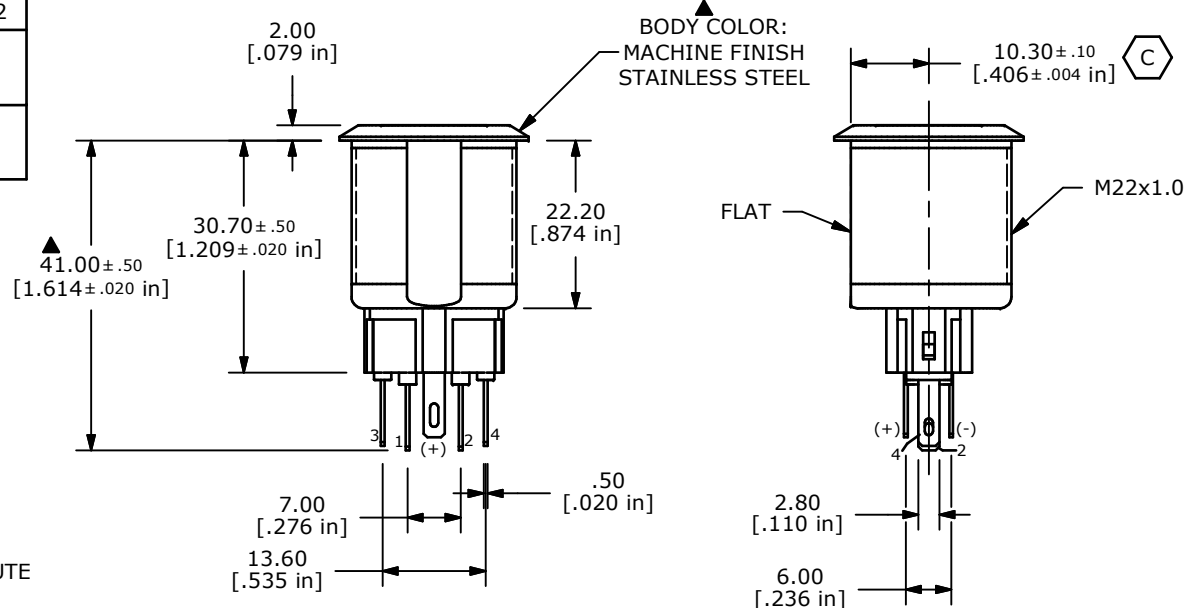


SWITCH FUNCTION	
POS. 1	POS. 2
1-2	3-4



- NOTE:
- ALL DIMENSIONS IN MM [INCH]
  - GENERAL TOLERANCE: X.X = ± 0.4  
X.XX = ± 0.25
  - TERMINAL NOS. FOR REF. ONLY
  - FUNCTION: SPDT
  - RATING: 2A @ 48VDC
  - ILLUMINATION VOLTAGE: 12V 20mA
  - CONTACT RESISTANCE: 50mΩ MAX. @ 1A 12VDC
  - INSULATION RESISTANCE: 1,000MΩ @ 500VDC
  - DIELECTRIC STRENGTH: 2,000VAC MIN. FOR 1 MINUTE
  - ELECTRICAL LIFE: 50,000 CYCLES
  - OPERATING TEMPERATURE: -20°C TO 55°C
  - INGRESS PROTECTION: IP65
  - ▲ DENOTES CRITICAL PARAMETER
  - 2002/95/EC (ROHS) COMPLIANT
  - ILLUMINATION COLOR: BLUE (FORWARD), BLUE (REVERSE)
  - HARDWARE INCLUDED: HEX NUT AND O-RING (NOT SHOWN)



TITLE PV7F2T0SS-344-M03

C	21459	ADD FLAT TO BODY	5/21/14	EBP
B	20908	REDRAW WITH INVENTOR	12/5/12	EBP
REV	PCR NO	DESCRIPTION	DATE	BY

SCALE	DATE 12/5/2012	DR EBP	DWG 52-PV7F2T0SS344M03	REV C
-------	-------------------	-----------	---------------------------	----------

THE INFORMATION CONTAINED IN THIS DOCUMENT IS PROPRIETARY TO E-SWITCH AND IS NOT TO BE COPIED OR TRANSFERRED