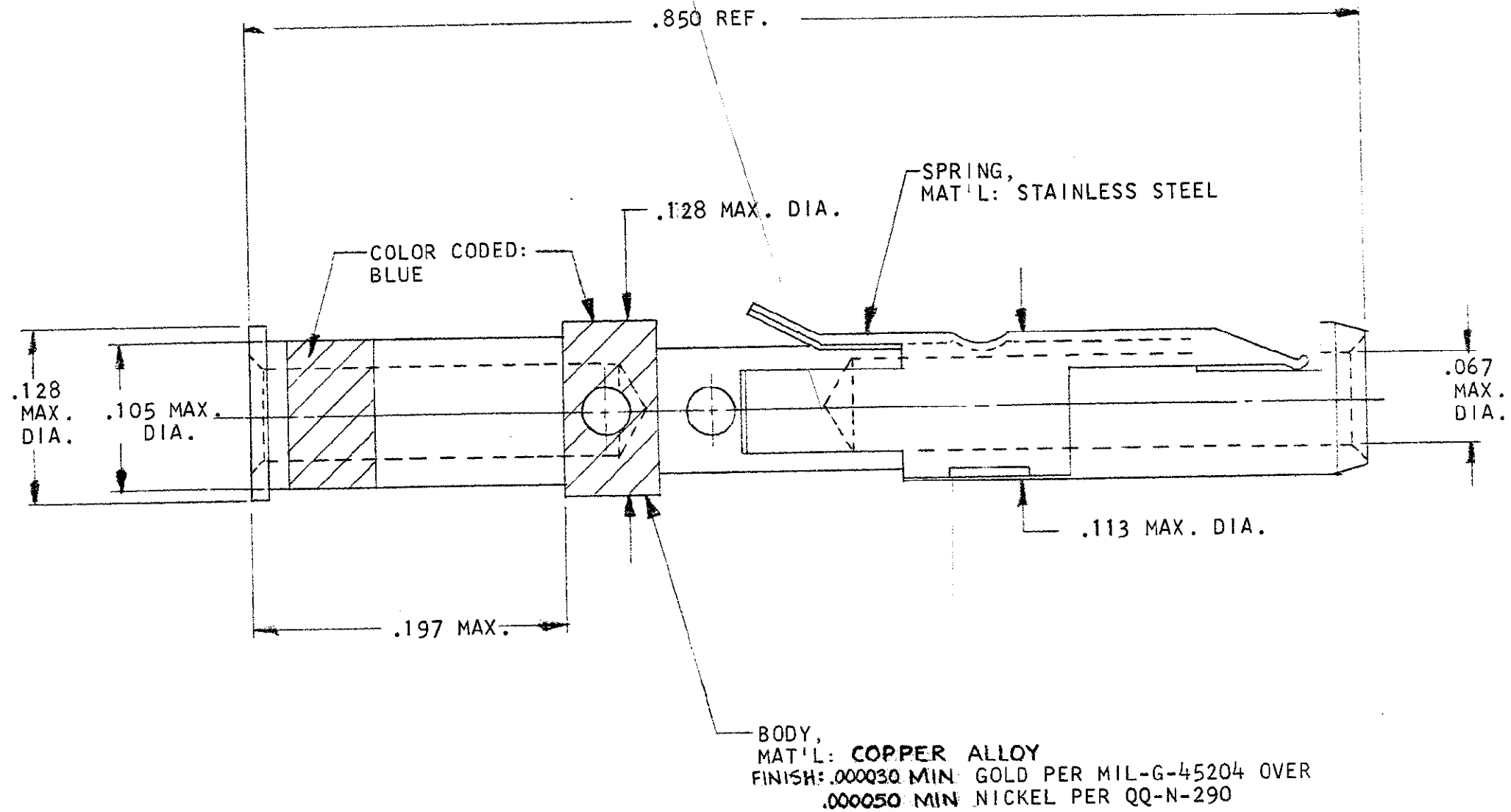
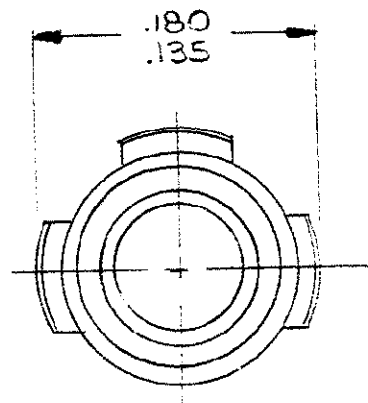


DRAWING MADE IN THIRD ANGLE PROJECTION

© COPYRIGHT 1978 BY AMP INCORPORATED, HARRISBURG, PA.
 ALL INTERNATIONAL RIGHTS RESERVED. AMP INCORPORATED PRODUCTS
 COVERED BY U. S. AND FOREIGN PATENTS AND/OR PATENTS PENDING.

207896-1 1. AS SHOWN.

				REVISIONS		M	LOC	DIST
P	F	ZONE	LTR	DESCRIPTION	DATE	APPROVED		
0			0	RELEASED	7-19-78	<i>[Signature]</i>		
✓			A	REVISED ECN 54142	9-22-81	<i>[Signature]</i>		
✓			B	REVISED ECN 8D 2619	3-21-89	<i>[Signature]</i>		



UNLESS OTHERWISE SPECIFIED DIMENSIONS ARE IN INCHES. TOLERANCES ON: DECIMALS ## ANGLES ##		CONTRACT NO	AMP INCORPORATED Harrisburg, Pa.
MATERIAL	SEE CALLOUTS	DR <i>[Signature]</i> 11/3/78 CHK <i>[Signature]</i> 9/11 APPD <i>[Signature]</i> 9/13/78 APPD <i>[Signature]</i> 9/15/78	
FINISH	SEE CALLOUTS	DSGN APPD	NAME ASSEMBLY, CONTACT, SOCKET #16, TYPE II, GROUNDING PIN FOR CPC (18-16) WIRE SIZE
		OTHER APPD	SIZE CODE IDENT NO DRAWING NO C C0779 207896
			SCALE <i>[Signature]</i> SHEET 1 OF 1

CUSTOMER DRAWING