

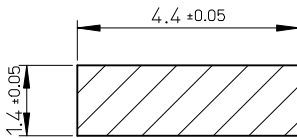
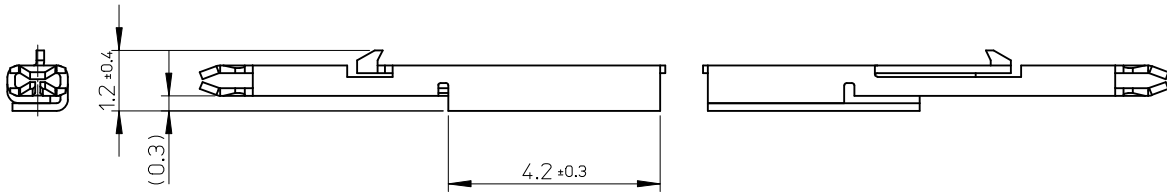
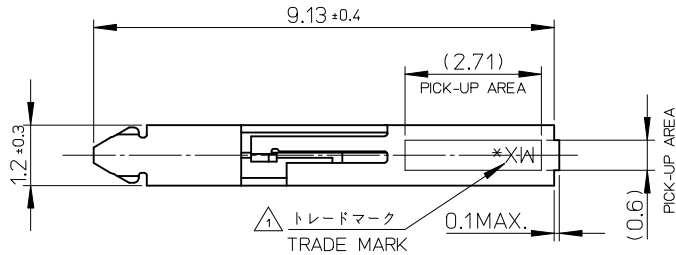
NOTES:

△ トレードマーク：MXプラス1文字の製造工場を示すアルファベットにて表示。  
 但し、"J"はJAPANを示す。(例 MXJ)  
 FORMED BY MX AND 1 MORE LETTER OF ALPHABET  
 WHICH MEAN THE MANUFACTORY.  
 BUT "J" MEANS JAPAN. (TO TRADE MARK)(e.g. MXJ)

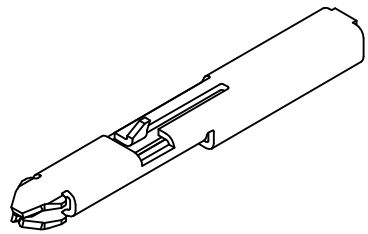
2. 嵌合相手:5050720100, 5050730100  
 MATE WITH:5050720100, 5050730100

3. ELVおよびRoHS適合品  
 ELV AND RoHS COMPLIANT.

△ ご使用される最大許容電圧に合わせ、電気用品安全法やIEC/EN規格などに則った浴面距離を確保してください。  
 PLEASE SECURE THE CREEPAGE DISTANCE FOR INSULATION THAT FOLLOES  
 THE IEC/EN STANDARD, etc. ACCORDING TO THE MAXIMUM RATED VOLTAGE USED.  
 参考値:(EN61984参照時) REFERENCE:(REFER TO EN61984)  
 定格電圧:125V ; 汚染度3 ; 材料グループⅢcの場合 RATED VOLTAGE:125V ;  
 A=2.4MIN. POLLUTION DEGREE 3 ; material group Ⅲc  
 A=2.4MIN.



基板参考パターン  
 P.W.B. PATTERN DIMENSION (REFERENCE)

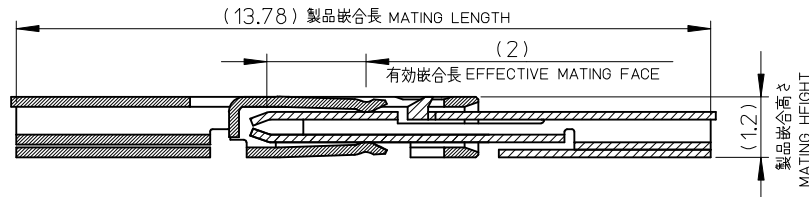


5050710101	505071
EMBOSSED TAPE PACKAGE	
オーダー番号 ORDER No.	CONNECTOR SERIES No.

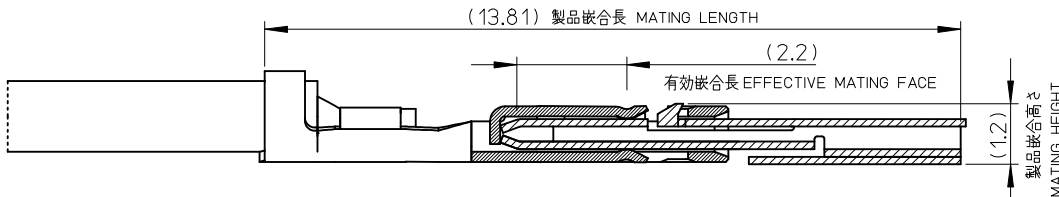
部品 PART	材質 MATERIAL ②
ターミナル TERMINAL	銅合金 PRE-TINNED COPPER ALLOY 錫メッキ TIN ニッケルメッキ(下地) NICKEL UNDER PLATING

REVISED EC NO: J2015-0616 DRWN:HTONEGAWA 2014/11/06 CHKD:TNIITSU 2014/11/06 APPR:MYAGI 2014/11/07	GENERAL TOLERANCES (UNLESS SPECIFIED)	DIMENSION STYLE MM ONLY	SCALE 10:1	DESIGN UNITS METRIC	THIRD ANGLE PROJECTION
	10 UNDER ±0.2	DRAWN BY DATE HTONEGAWA 2013/11/28	TITLE 1CKT. LED CONN. PLUG H=1.2		
	10 OVER 30 UNDER ±0.25	CHECKED BY DATE TNIITSU 2013/11/28	MATERIAL NO. DOCUMENT NO. SEE CHART SD-505071-001		
	30 OVER ±0.3	APPROVED BY DATE MYAGI 2014/01/09	SHEET NO. 1 OF 2		
ANGULAR ±1 °	DRAFT WHERE APPLICABLE MUST REMAIN WITHIN DIMENSIONS	THIS DRAWING CONTAINS INFORMATION THAT IS PROPRIETARY TO MOLEX INCORPORATED AND SHOULD NOT BE USED WITHOUT WRITTEN PERMISSION			

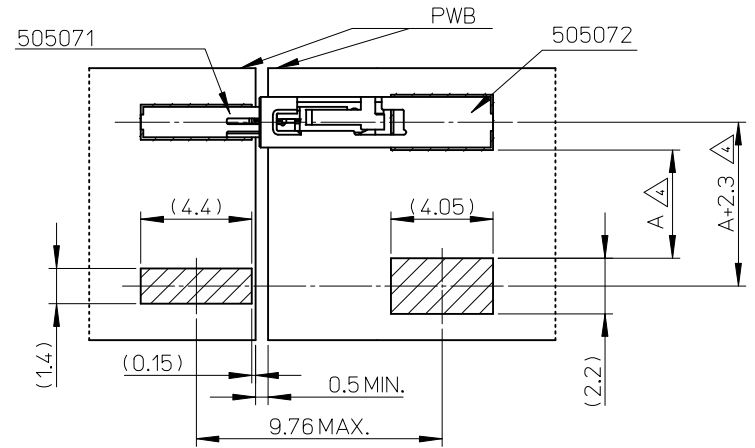
嵌合断面図 MATING CROSS SECTION



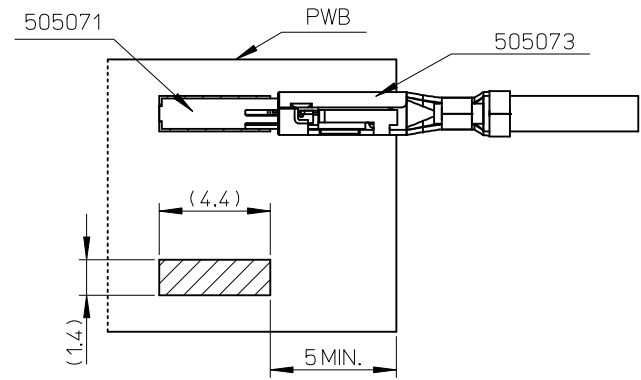
基板対基板: BOARD to BOARD TYPE (505072/505071) ②



電線対基板: WIRE to BOARD TYPE (505073/505071) ②

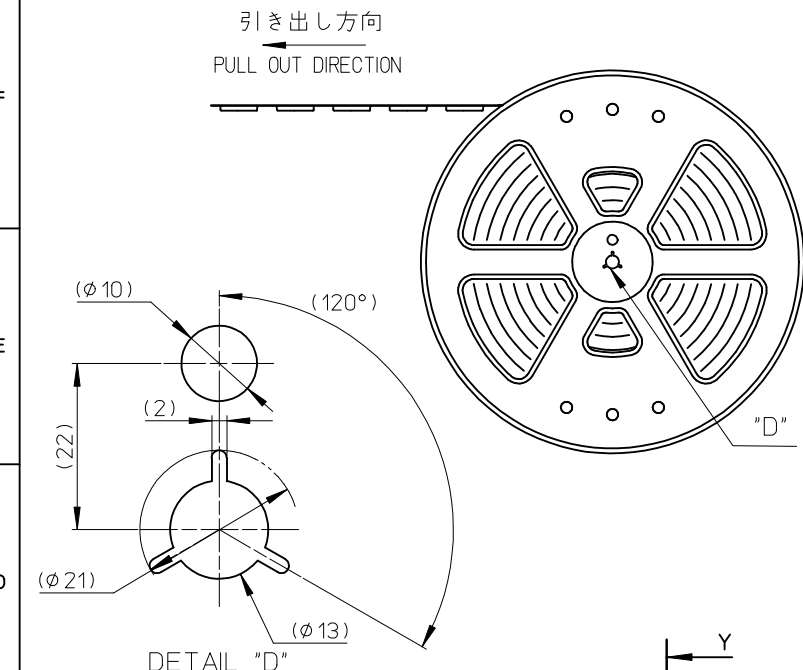


参考)基板パターン位置 (基板対基板: BB TYPE)  
 REFERENCE) P.W.B. PATTERN POSITION (BOARD to BOARD TYPE) ②



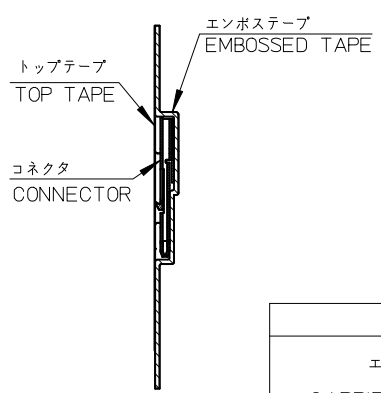
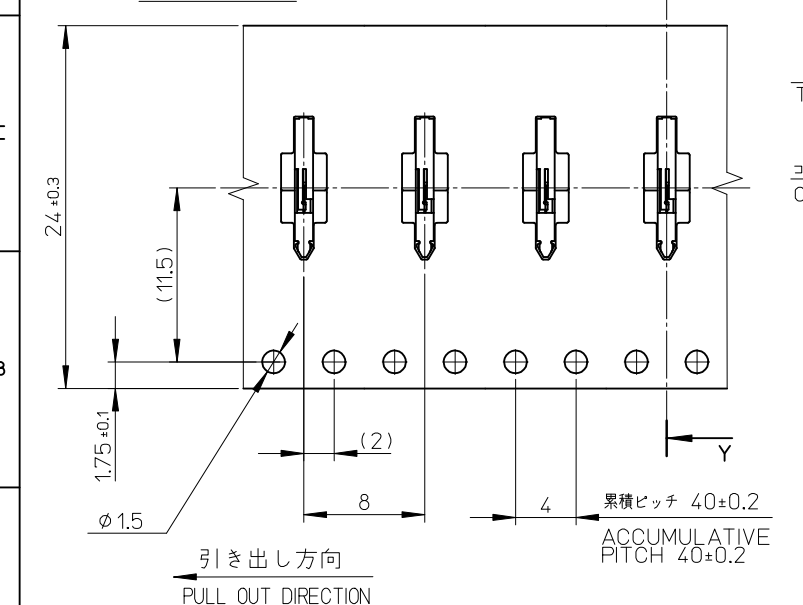
参考)基板パターン位置 (電線対基板: WB TYPE)  
 REFERENCE) P.W.B. PATTERN POSITION (WIRE to BOARD TYPE) ②

SEE SHEET1 EC NO: J2015-0616 DRWN:HTONEGAWA 2014/11/06 CHKD:TNIITSU 2014/11/06 APPR:MYAGI 2014/11/07	QUALITY SYMBOLS □ = 0 CRITICAL ⊠ = 0 MAJOR ∇ = 0 ZERO DEFECT ▽ = 0 S.P.C.	GENERAL TOLERANCES (UNLESS SPECIFIED) DIMENSIONS ±0.1 ANGULAR ±1 ° DRAFT WHERE APPLICABLE MUST REMAIN WITHIN DIMENSIONS	DIMENSION STYLE MM ONLY DRAWN BY HTONEGAWA DATE 2013/11/28 CHECKED BY TNIITSU DATE 2013/11/28 APPROVED BY MYAGI DATE 2014/01/09 MATERIAL NO. SEE SHEET1	SCALE 4:1	DESIGN UNITS METRIC	THIRD ANGLE PROJECTION
	TITLE 1CKT. LED CONN. PLUG H=1.2	molex	DOCUMENT NO. SD-505071-001	SHEET NO. 2 OF 2		
	THIS DRAWING CONTAINS INFORMATION THAT IS PROPRIETARY TO MOLEX INCORPORATED AND SHOULD NOT BE USED WITHOUT WRITTEN PERMISSION					
	SIZE A3					



**NOTES**

- 製品詳細寸法については、SD図面を参照下さい。  
THE DETAIL DIMENSION REFER TO SALES DRAWING.
- 梱包数量：7500 個/リール  
NUMBER OF CONNECTORS：7500 PCS/REEL.
- リードテープ長さ LEAD TAPE LENGTH.  
トップテープ接着部(空エンボス)  
TOP TAPE BONDED PART.(EMPTY)  
引き出し方向 PULL OUT DIRECTION  
20PCS. MIN.  
トップテープリーダー部 TOP TAPE LEADER PART 400 MIN.  
部品挿入部 COMPONENT SUPPLIER  
末端部(空部) TAIL PART (EMPTY) 350 MIN.
- トップテープの剥離強度：0.1N~1.3N(10.2gf~130gf) (剥離方向は下図参照) 尚、本規格値は出荷時に適用。(但し、輸送時に剥離が発生しないこと。)  
PEEL FORCE OF TOP TAPE：0.1N~1.3N(10.2gf~130gf)  
(PEEL DIRECTION AS SHOWN IN FOLLOWING FIG.)  
THIS REQUIREMENT SHOULD BE APPLIED AT SHIPMENT.  
PEEL OFF SHOULD NOT BE ALLOWED, DURING TRANSPORTATION.  
引き出し方向 PULL OUT DIRECTION  
剥離方向 PEEL OFF DIRECTION  
10°
- 材料 MATERIAL  
キャリアテープ (CARRIER TAPE)：ポリプロピレン (POLYPROPYLENE)  
トップテープ (TOP TAPE)：PET, PE, PEF  
リール (REEL)：ポリスチレン (PS) <リサイクル材含む>  
POLYSTYRENE (PS) <RECYCLE MATERIAL CONTAINED>
- ELV 及びRoHS適合品  
ELV AND RoHS COMPLIANT



**SECTION Y-Y**

24 mm	505071-0100	505071-0101	1
エンボステープ幅 CARRIER TAPE WIDTH	装着コネクタ CONNECTOR	EMBOSSSED TAPE PACKAGE オーダー番号 ORDER NO.	極数 CKT.
		CONNECTOR SERIES No.	505071-0***

REVISED EC NO: J2015-0616 DRWN:HTONEGAWA 2014/11/06 CHKD:TNIITSU 2014/11/06 APPR:MYAGI 2014/11/07	GENERAL TOLERANCES (UNLESS SPECIFIED)		DIMENSION STYLE MM ONLY		SCALE ----	DESIGN UNITS METRIC	THIRD ANGLE PROJECTION
	10 UNDER	±0.2	DRAWN BY HTONEGAWA	DATE 2013/11/29	TITLE 1CKT. LED CONN. PLUG H=1.2 EMBOSSSED TAPE PACKAGE		
	10 OVER 30 UNDER	±0.25	CHECKED BY TNIITSU	DATE 2013/11/29			
	30 OVER	±0.3	APPROVED BY MYAGI	DATE 2014/01/09			
ANGULAR	±1 °	MATERIAL NO. SEE CHART		DOCUMENT NO. SD-505071-002		SHEET NO. 1 OF 1	
DRAFT WHERE APPLICABLE MUST REMAIN WITHIN DIMENSIONS		THIS DRAWING CONTAINS INFORMATION THAT IS PROPRIETARY TO MOLEX INCORPORATED AND SHOULD NOT BE USED WITHOUT WRITTEN PERMISSION					