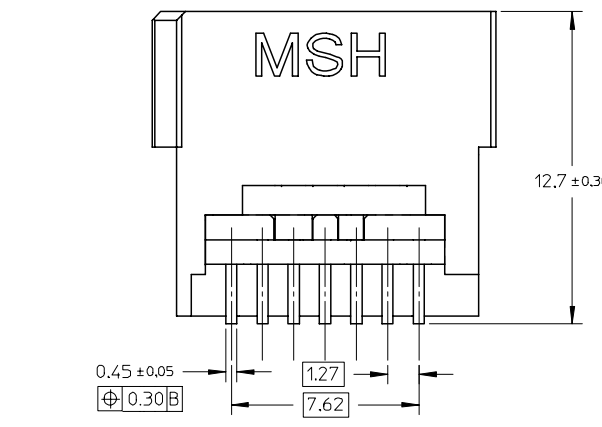
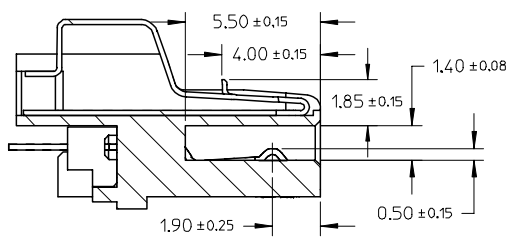
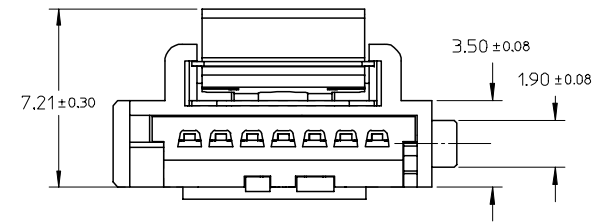
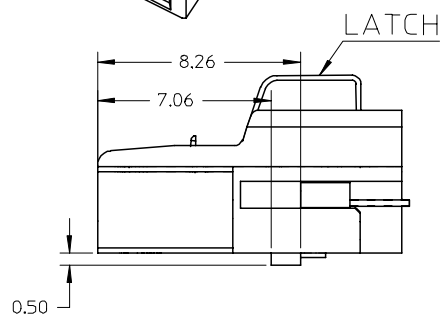
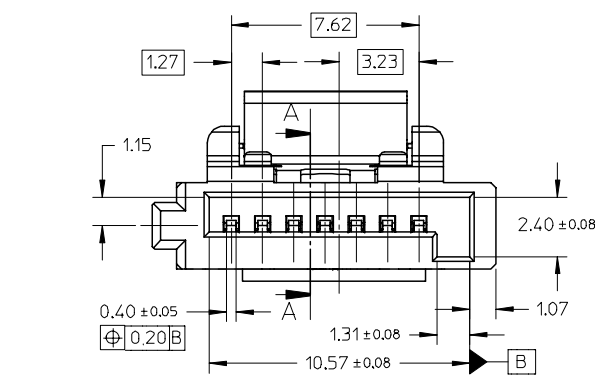


- NOTES:
- MATERIAL:
    - HOUSING: THERMAL PLASTIC, GLASS FILLED, UL94V-0, COLOR: BLACK
    - COVER: THERMAL PLASTIC, UL94V-0, COLOR: BLACK
    - TERMINAL: COPPER ALLOY
    - METAL LATCH: STAINLESS STEEL, THICKNESS=0.20MM
  - TERMINAL PLATING:
    - CONTACT AREA: GOLD PLATED
    - SOLDER TAIL: TIN, THICKNESS=1.27 MICRONS MINIMUM
    - UNDER PLATE: NICKEL, THICKNESS=1.27 MICRONS MINIMUM
  - PACKAGING: TRAY
  - PRODUCT SPECIFICATION REFER TO PS-67490-00\*
  - MATING PART 67800, 47080 SERIES



P/N	PLATING TYPE	REMARK
67489-9001	GOLD FLASH	METAL LATCH
67489-9002	GOLD PLATED 0.76 MICRONS	NONE BUMP
67489-9005	GOLD PLATED 0.38 MICRONS	TYPE ONLY

<b>ADD PART NUMBER</b> EC NO: SH2007-0333 DRWN: BCHENZ6 CHKD: JTIAN APPR: JNCHEH	<b>QUALITY SYMBOLS</b> ▽=0 ▽=0	<b>GENERAL TOLERANCES (UNLESS SPECIFIED)</b>		<b>DIMENSION STYLE</b> MM ONLY		SCALE 5:1	DESIGN UNITS METRIC	THIRD ANGLE PROJECTION	
		4 PLACES ± --- ± --- 3 PLACES ± --- ± --- 2 PLACES ± 0.2 ± --- 1 PLACE ± 0.25 ± ---	mm INCH	DRAWN BY GRATE MA	DATE 2004/03/25	TITLE SERIAL ATA RECEPTACLE CABLE END CONNECTOR STRAIGHT TYPE			
		ANGULAR ± 1 °		CHECKED BY YA JUN	DATE 2004/03/25	MOLEX INCORPORATED			
		DRAFT WHERE APPLICABLE MUST REMAIN WITHIN DIMENSIONS		APPROVED BY SAM	DATE 2004/03/25	MATERIAL NO. SEE TABLE	DOCUMENT NO. SD-67489-002	SHEET NO. 1 OF 3	

10 9 8 7 6 5 4 3 2 1

F

E

D

C

B

A

F

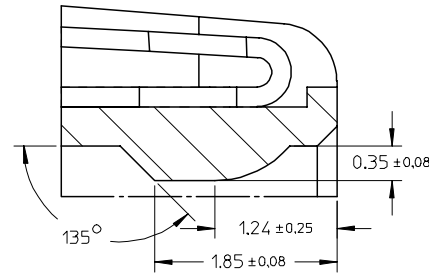
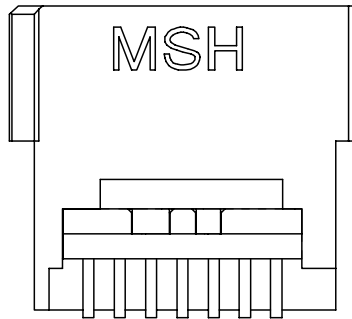
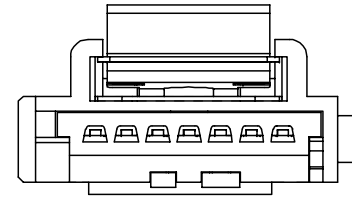
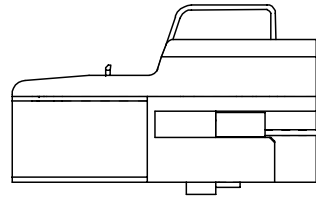
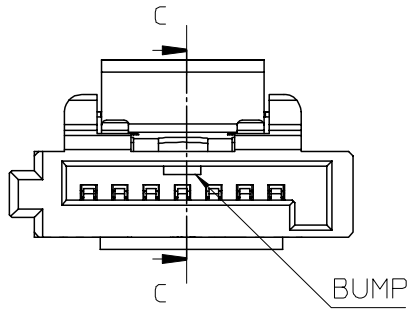
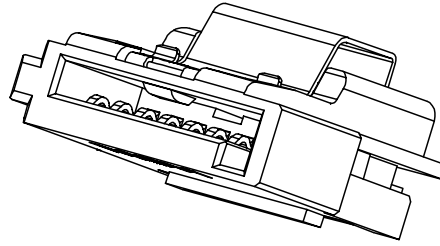
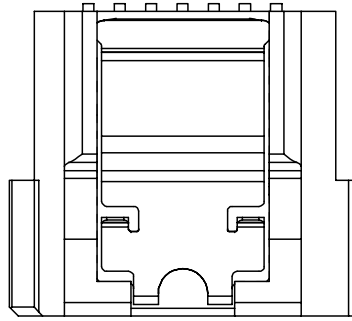
E

D

C

B

A



SECTION C-C

P/N	PLATING TYPE	REMARK
67489-7001	GOLD FLASH	BOTH METAL LATCH AND BUMP TYPE
67489-7002	GOLD PLATED 0.76 MICRONS	
67489-7005	GOLD PLATED 0.38 MICRONS	

ADD PART NUMBER EC NO: SH2007-0333 DRWN: BCHENZ6 2006/11/09 CHKD: JTIAN 2006/11/10 APPR: JNCHEN 2006/11/16	QUALITY SYMBOLS	DESCRIPTION
	▽=0	
	∇=0	
	REV	

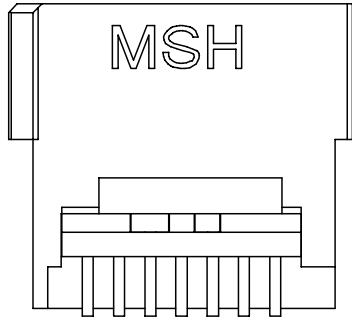
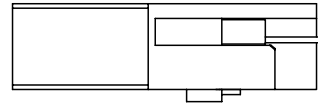
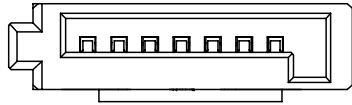
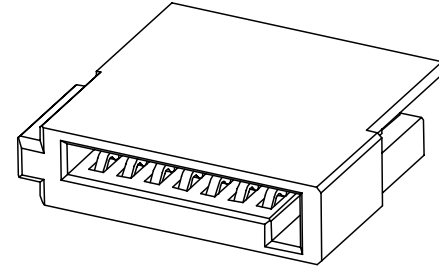
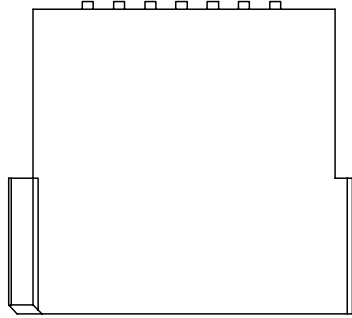
GENERAL TOLERANCES (UNLESS SPECIFIED)	DIMENSION STYLE MM ONLY	
	mm	INCH
	4 PLACES ± ---	± ---
	3 PLACES ± ---	± ---
2 PLACES ± 0.2	± ---	
1 PLACE ± 0.25	± ---	
ANGULAR ± 1 °		
DRAFT WHERE APPLICABLE MUST REMAIN WITHIN DIMENSIONS		

DRAWN BY	DATE
GRATE MA	2004/03/25
CHECKED BY	DATE
YA JUN	2004/03/25
APPROVED BY	DATE
SAM	2004/03/25
MATERIAL NO.	
SEE TABLE	
SIZE	
A3	

SCALE	DESIGN UNITS	THIRD ANGLE PROJECTION
5:1	METRIC	
TITLE		
SERIAL ATA RECEPTACLE CABLE END CONNECTOR STRAIGHT TYPE		
MOLEX INCORPORATED		
DOCUMENT NO.	SHEET NO.	
SD-67489-002	2 OF 3	
THIS DRAWING CONTAINS INFORMATION THAT IS PROPRIETARY TO MOLEX INCORPORATED AND SHOULD NOT BE USED WITHOUT WRITTEN PERMISSION		

9 8 7 6 5 4 3 2 1

10 9 8 7 6 5 4 3 2 1



DIMENSION REFER TO 67489-9\*

P/N	PLATING TYPE	REMARK
67489-6001	GOLD FLASH	WITHOUT METAL LATCH
67489-6002	GOLD PLATED 0.76 MICRONS	AND BUMP TYPE
67489-6005	GOLD PLATED 0.38 MICRONS	



ADD PART NUMBER EC NO: SH2007-0333 DRWN: BCHENZ6 2006/11/09 CHKD: JTIAN 2006/11/10 APPR: JNCHEN 2006/11/16	QUALITY SYMBOLS
	▽=0
	∇=0
	REV

DESCRIPTION
DESCRIPTION

GENERAL TOLERANCES (UNLESS SPECIFIED)		
	mm	INCH
4 PLACES	± ---	± ---
3 PLACES	± ---	± ---
2 PLACES	± 0.2	± ---
1 PLACE	± 0.25	± ---
ANGULAR ± 1 °		
DRAFT WHERE APPLICABLE MUST REMAIN WITHIN DIMENSIONS		

DIMENSION STYLE	
MM ONLY	
DRAWN BY	DATE
GRATE MA	2004/03/25
CHECKED BY	DATE
YA JUN	2004/03/25
APPROVED BY	DATE
SAM	2004/03/25
MATERIAL NO.	
SEE TABLE	
SIZE	A3

SCALE	5:1	DESIGN UNITS	METRIC	THIRD ANGLE PROJECTION
TITLE		SERIAL ATA RECEPTACLE CABLE END CONNECTOR STRAIGHT TYPE		
APPROVED BY		MOLEX INCORPORATED		
DOCUMENT NO.		SD-67489-002		
SHEET NO.		3 OF 3		
THIS DRAWING CONTAINS INFORMATION THAT IS PROPRIETARY TO MOLEX INCORPORATED AND SHOULD NOT BE USED WITHOUT WRITTEN PERMISSION				

9 8 7 6 5 4 3 2 1