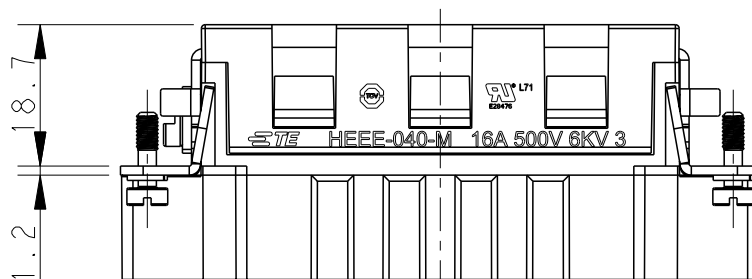
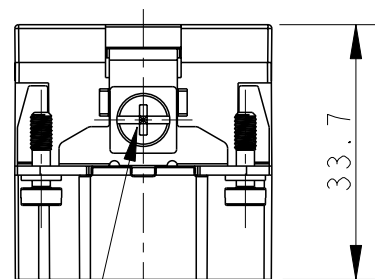
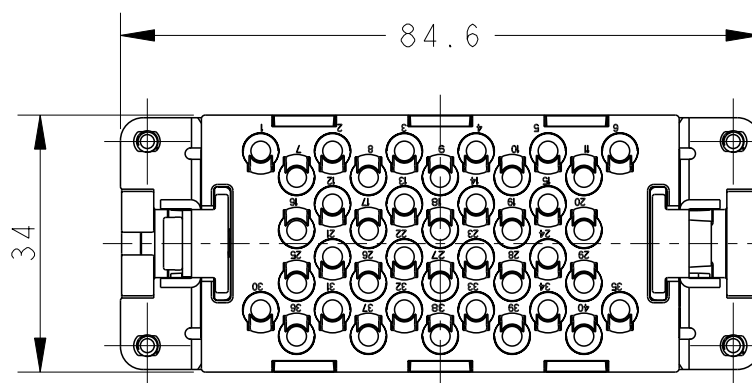
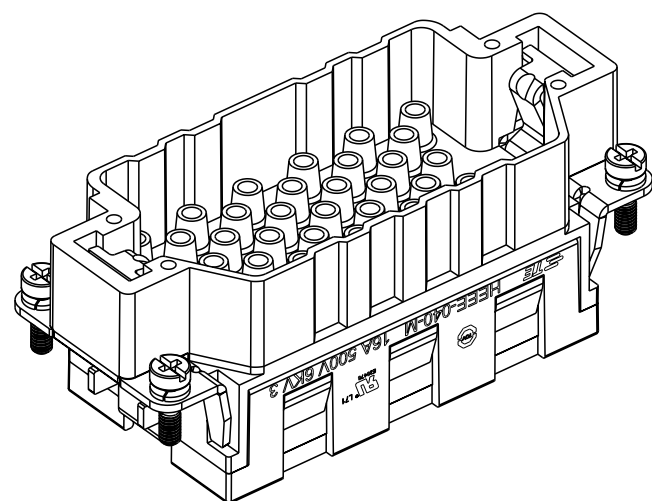


THIS DRAWING IS UNPUBLISHED. RELEASED FOR PUBLICATION 20  
 © COPYRIGHT 20 BY - ALL RIGHTS RESERVED.

REVISIONS

P	LTR	DESCRIPTION	DATE	DWN	APVD
	A	INITIAL	05MAR2015	DW	CW
	B	ECR-15-015267	19OCT2015	DW	CW



NOTES:

- TECHNICAL CHARACTERISTICS:  
 INSULATION MATERIAL: PC  
 RATED VOLTAGE: 500V  
 RATED CURRENT: 16A  
 INSULATION RESISTANCE:  $\geq 400M\Omega$   
 RATED IMPULSE VOLTAGE: 6KV  
 POLLUTION DEGREE: 3  
 FLAMMABILITY: UL94V-0  
 MATING CYCLES: 500 CYCLES  
 OPERATION TEMPERATURE:  $-40^{\circ}C \sim +125^{\circ}C$   
 WIRE RANGE:  $0.14mm^2 \sim 4mm^2$  (AWG26-AWG12)  
 CONTACT TYPE: CRIMP CONTACT
- CONTACTS NEED TO BE ORDERED SEPARATELY.  
 (ORDER No. REFER TO DRAWING: T20300X10XX000)

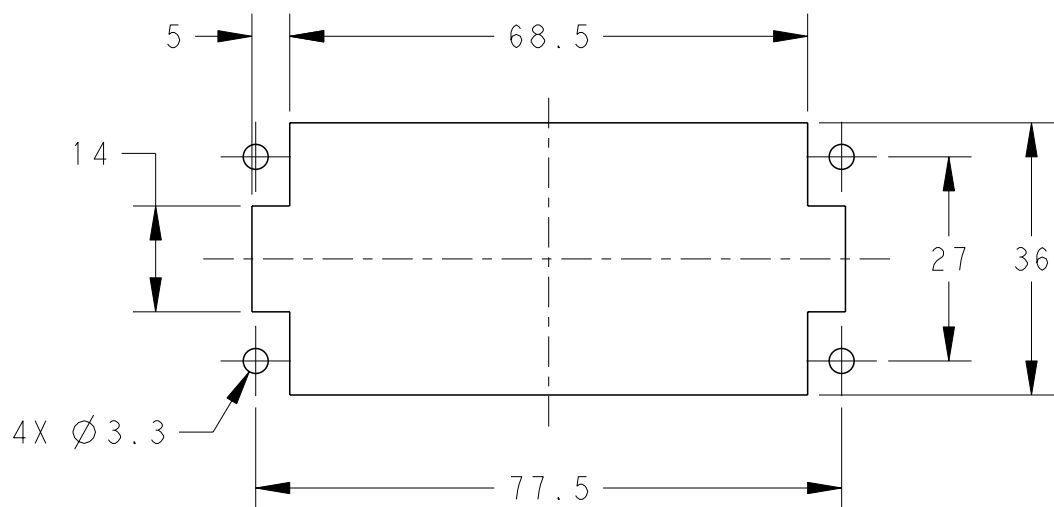
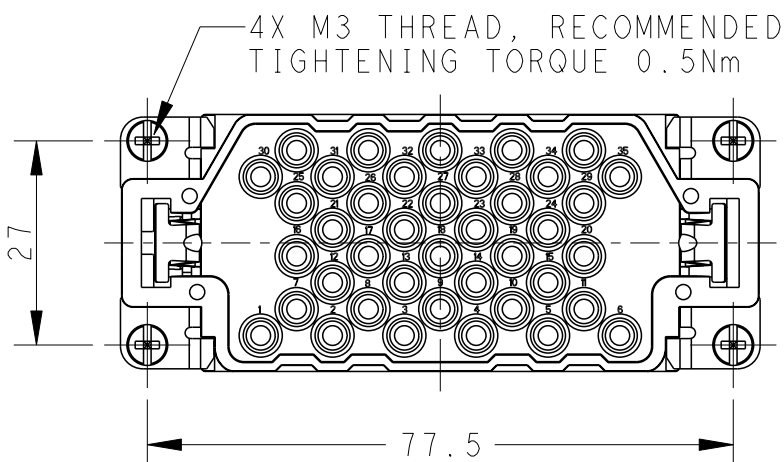
注释:

- 技术参数:  
 绝缘材料: PC  
 额定电压: 500V  
 额定电流: 16A  
 绝缘电阻:  $\geq 400M\Omega$   
 脉冲电压: 6KV  
 污染等级: 3  
 阻燃等级: UL94V-0  
 插拔次数: 500次  
 工作温度:  $-40^{\circ}C \sim +125^{\circ}C$   
 接线范围:  $0.14mm^2 \sim 4mm^2$  (AWG26-AWG12)  
 接线类型: 冷压接
- 端子需要单独订购。  
 (订货号参考图面: T20300X10XX000)

M4 THREAD  
 RECOMMENDED  
 TIGHTENING TORQUE 1.2Nm

4X M3 THREAD, RECOMMENDED  
 TIGHTENING TORQUE 0.5Nm

PANEL CUT FOR INSERTS FOR USE  
 WITHOUT HOODS/ HOUSINGS



THIS DRAWING IS A CONTROLLED DOCUMENT.

DIMENSIONS:	TOLERANCES UNLESS OTHERWISE SPECIFIED:
mm	0 PLC ±-
	1 PLC ±-
	2 PLC ±-
	3 PLC ±-
	4 PLC ±-
	ANGLES ±-
MATERIAL	FINISH
-	-

DWN	05MAR2015
David Wang	
CHK	05MAR2015
Chris Wang	
APVD	05MAR2015
Xiang Xu	
PRODUCT SPEC	108-137068
APPLICATION SPEC	108-137068
WEIGHT	-
Customer Drawing	

HEEE-040-M		T2050402101-000	
DESCRIPTION		PART NUMBER	
TE Connectivity			
NAME HEEE-040-M			
SIZE	CAGE CODE	DRAWING NO	RESTRICTED TO
A3	00779	©-T2050402101000	-
SCALE		SHEET	REV
1:1		1 OF 1	B