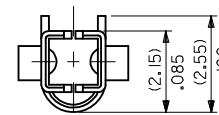
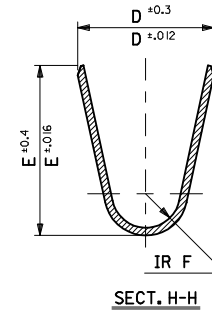
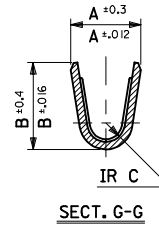
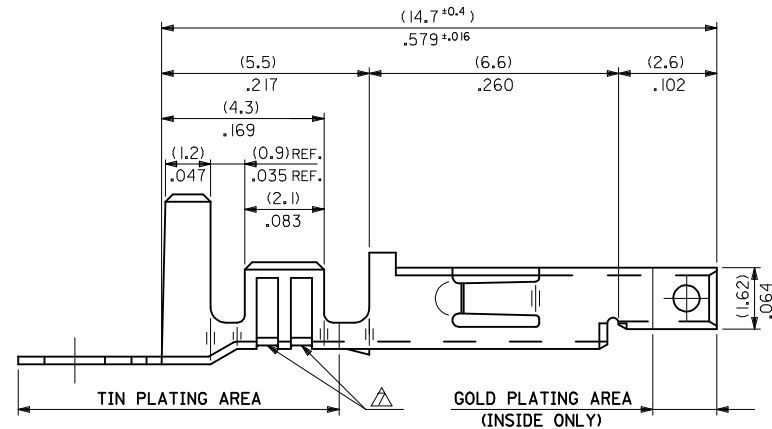
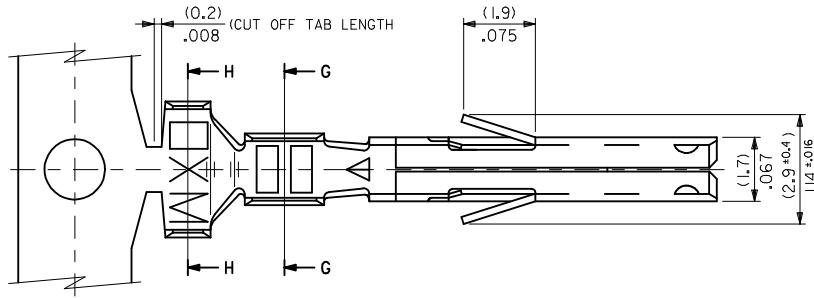


NOTES

1. MATERIAL: SEE CHART.
2. FINISH: SEE CHART.
3. PRODUCT SPECIFICATION: PS-5556-001, PS-5556-002, PS-5556-003.
4. PACKAGING SPECIFICATION: PK-5556-001 FOR CHAIN TERMINALS
PK-5556-003 FOR LOOSE TERMINALS.
5. MATES WITH: 5558, 5566, 5569, 30069, 30070, 42440, 42404, 43879, 43810, 44068.
6. APPLICABLE HOUSING: 5557, 30067, 44516, OR 42474.
7. THE NUMBER OF SERRATIONS TO BE ONE FOR WIRE RANGE #22-28.
8. WHEN TERMINALS ARE INSTALLED IN THE HOUSING THE WIRES ARE TO BE DRESSED IN SUCH A MANNER TO ALLOW THE TERMINALS TO FLOAT FREELY IN THE POCKET.
9. THIS TERMINAL IS DESIGNED FOR SINGLE WIRE CRIMPING.
10. PART CONFORMS TO CLASS 'B' REQUIREMENTS OF COSMETIC SPECIFICATION PS-45499-002.



OBS P/N'S EC NO: UCP2013-1816 2012/11/06 DRWN:BBEE CHKD:JBELL 2012/11/06 APPR:FSMITH 2013/01/11	QUALITY SYMBOLS ▽=0 ▽=0 ▽=0	GENERAL TOLERANCES (UNLESS SPECIFIED)		DIMENSION STYLE MM/IN	SCALE	DESIGN UNITS METRIC	THIRD ANGLE PROJECTION	
		4 PLACES ± --- ± ---	3 PLACES ± --- ± .008	2 PLACES ± 0.2 ± .008	1 PLACE ± 0.2 ± ---	DRAWN BY HHIRAMOT	DATE '91/05/18	TITLE MINI FIT JR SELECT GOLD FEMALE CRIMP TERMINAL -LEAD FREE-
		ANGULAR ± 3 °		DRAFT WHERE APPLICABLE MUST REMAIN WITHIN DIMENSIONS		CHECKED BY MFUKUSHI	DATE '98/11/09	MOLEX INCORPORATED
		MATERIAL NO. SEE CHART		APPROVED BY FSMITH		DATE 2013/01/11	DOCUMENT NO. SD-5556-006	
G2	REV	THIS DRAWING CONTAINS INFORMATION THAT IS PROPRIETARY TO MOLEX INCORPORATED AND SHOULD NOT BE USED WITHOUT WRITTEN PERMISSION						

10 9 8 7 6 5 4 3 2 1

BRASS	SELECTIVE GOLD (1.27µm)/50m.i. MIN. AND SELECTIVE TIN (2.54 µm)/ 100 m.i. MIN. OVER NICKEL (1.27µm)/50m.i. MIN. Ⓞ	(0.9)	(4.5)	(3.6)	(0.6)	(2.7)	(2.3)	∅ (3.1)	# 16	↑ -0142	GS9L	LOOSE	
		.035	.177	.142	.024	.106	.091	.122	MAX.		-0141	GS9	CHAIN
		(0.6)	(2.3)	(2.3)	(0.4)	(1.65)	(1.8)	∅ (0.9-1.8)	#22-28	↓ -0140	GS8L	LOOSE	
	SELECTIVE GOLD (0.38µm)/15m.i. MIN. AND SELECTIVE TIN(2.54µm)/100 m.i. MIN. OVER NICKEL (1.27µm)/50m.i. MIN. Ⓞ	(0.9)	(4.5)	(3.6)	(0.5)	(2.3)	(1.9)	∅ (1.3-3.1)	# 18-24		39-00-0139	GS8	CHAIN
		.035	.177	.142	.020	.091	.075	.051-.122			40-13-0852	GS7L	LOOSE
		(0.6)	(2.3)	(2.3)	(0.4)	(1.65)	(1.8)	∅ (0.9-1.8)	#22-28		40-13-0851	GS7	CHAIN
	SELECTIVE GOLD (0.76µm)/30m.i. MIN. AND SELECTIVE TIN (2.54µm)/100m.i. MIN. OVER NICKEL (1.27µm)/50m.i. MIN.	(0.9)	(4.5)	(3.6)	(0.6)	(2.7)	(2.3)	∅ (3.1)	# 16		39-00-0094	GS6L	LOOSE
		.035	.177	.142	.024	.106	.091	.122	MAX.		↑ -0093	GS6	CHAIN
		(0.6)	(2.3)	(2.3)	(0.4)	(1.65)	(1.8)	∅ (0.9-1.8)	#22-28		-0092	GS5L	LOOSE
	SELECTIVE GOLD (0.76µm)/30m.i. MIN. AND SELECTIVE TIN (2.54µm)/100m.i. MIN. OVER NICKEL (1.27µm)/50m.i. MIN.	(0.9)	(4.5)	(3.6)	(0.5)	(2.3)	(1.9)	∅ (1.3-3.1)	# 18-24		-0091	GS5	CHAIN
		.035	.177	.142	.020	.091	.075	.051-.122			-0074	GS4L	LOOSE
		(0.6)	(2.3)	(2.3)	(0.4)	(1.65)	(1.8)	∅ (0.9-1.8)	#22-28		-0073	GS4	CHAIN
SELECTIVE GOLD (0.76µm)/30m.i. MIN. AND SELECTIVE TIN (2.54µm)/100m.i. MIN. OVER NICKEL (1.27µm)/50m.i. MIN.	(0.9)	(4.5)	(3.6)	(0.6)	(2.7)	(2.3)	∅ (3.1)	# 16		-0090	GS3L	LOOSE	
	.035	.177	.142	.024	.106	.091	.122	MAX.		-0089	GS3	CHAIN	
	(0.6)	(2.3)	(2.3)	(0.4)	(1.65)	(1.8)	∅ (0.9-1.8)	#22-28		-0435	GS2L7F	LOOSE	
MATERIAL	FINISH	F	E	D	C	B	A	INS. RANGE	WIRE RANGE	EDP NO.	ENG. NO.	FORM	

SEE SHEET 1 EC NO: UCP2013-1816 DRAWN:BBE 2012/11/06 CHKD:JBELL 2012/11/06 APPR:FSMITH 2013/01/11 REV G2	QUALITY SYMBOLS	GENERAL TOLERANCES (UNLESS SPECIFIED)		DIMENSION STYLE		SCALE	DESIGN UNITS	THIRD ANGLE PROJECTION		
	$\nabla Z=0$ $\nabla Z=0$ $\nabla Z=0$	mm	INCH	MM/IN		10:1	METRIC	MINI FIT JR SELECT GOLD FEMALE CRIMP TERMINAL -LEAD FREE- molex DOCUMENT NO. SD-5556-006 SHEET NO. 2 OF 2		
		4 PLACES	± ---	± ---	DRAWN BY DATE					
		3 PLACES	± ---	± .008	HHIRAMOT '91/05/18					
2 PLACES	± 0.2	± .008	CHECKED BY DATE							
1 PLACE	± 0.2	± ---	MFUKUSHI '98/11/09							
0 PLACE	± ---	± ---	APPROVED BY DATE							
			FSMITH 2013/01/11		MATERIAL NO.					
			ANGULAR ± 3°		SEE CHART					
			DRAFT WHERE APPLICABLE MUST REMAIN WITHIN DIMENSIONS		SIZE B					
					THIS DRAWING CONTAINS INFORMATION THAT IS PROPRIETARY TO MOLEX INCORPORATED AND SHOULD NOT BE USED WITHOUT WRITTEN PERMISSION					

9 8 7 6 5 4 3 2 1