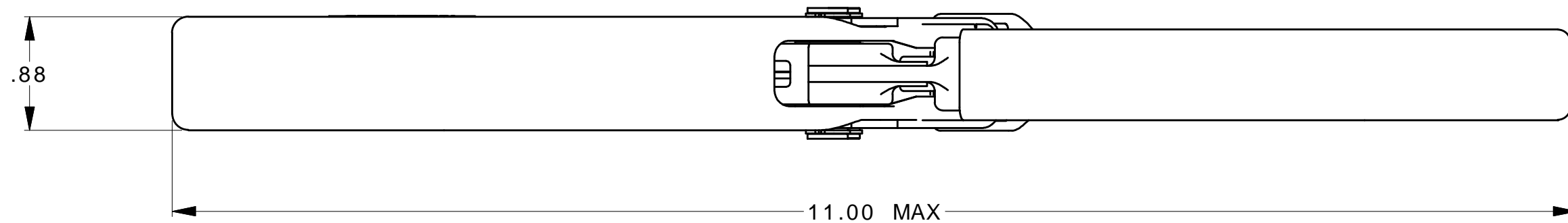
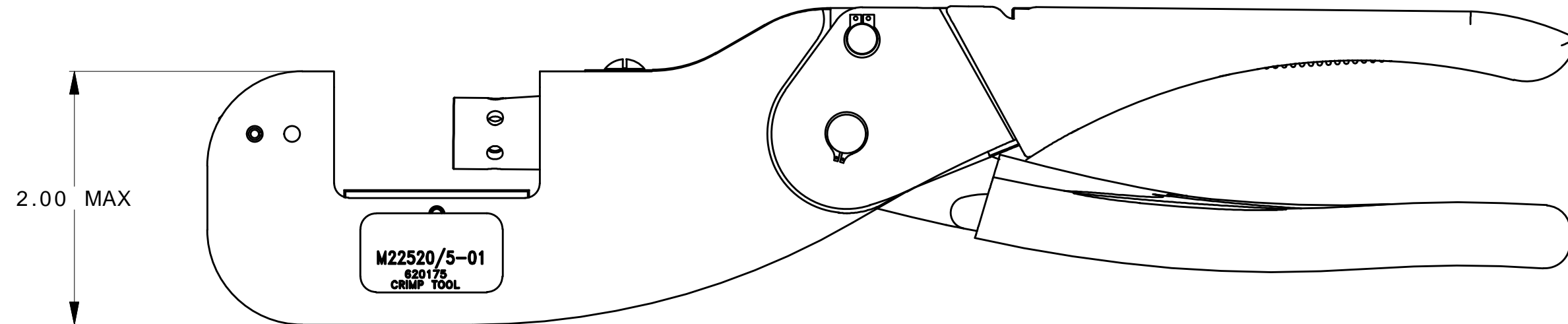


| REVISIONS | | | | |
|-----------|------------|-----------------|-----------------|-----------------|
| REV SYM | ECO NUMBER | DESCRIPTION | BY DATE | APP'D DATE |
| A | | INITIAL RELEASE | MMK 06/09/09 | DYO 06/09/09 |



| | | | | | | |
|--|------------|---|--------|-------------|----------------|---------------------|
| <p>THESE DRAWINGS, SPECIFICATIONS OR OTHER DATA ARE THE PROPERTY OF ASTRO TOOL CORP. AND MUST BE RETURNED UPON REQUEST. THEY CONTAIN INFORMATION OWNED AND/OR DEVELOPED BY ASTRO AT ITS OWN PRIVATE EXPENSE AND MAY NOT BE USED, DUPLICATED OR DISCLOSED TO OTHERS, IN WHOLE OR IN PART FOR DESIGN, MANUFACTURE, OR PROCUREMENT WITHOUT THE WRITTEN PERMISSION OF ASTR TOOL CORP. EACH AND EVERY TIME.</p> <p>CREATED FROM AN INVENTOR MODEL. CHANGES MUST BE REFLECTED IN THE 3D PART</p> <p>DO NOT SCALE DRAWING</p> | MATERIAL | N/A | ITEM | PART NO. | QTY. | DESCRIPTION/REMARKS |
| | HEAT TREAT | N/A | DRN. | J.MATTHEWS | DATE | 06/09/09 |
| | FINISH | N/A | CHK'D. | DYO | DATE | 06/09/09 |
| | TOLERANCE: | | APP'D. | | DATE | |
| | | ASTRO TOOL CORP. | | CAGE 58164 | | |
| | | 21615 S.W. TUALATIN VALLEY HWY., BEAVERTON OR 97006 | | TITLE | | |
| | | ENVELOPE DRAWING HEX DIE CRIMP TOOL REF:M22520/ 5- 01 | | WHERE USED: | | |
| | | SIZE | B | SCALE | 1:1 | CAD P/N |
| | | POSTING | | P/N | C- 620175- ENV | SHEET OF |
| | | 620175- ENV | | A | | 1 OF 1 |
| | | | | REV. | | A |