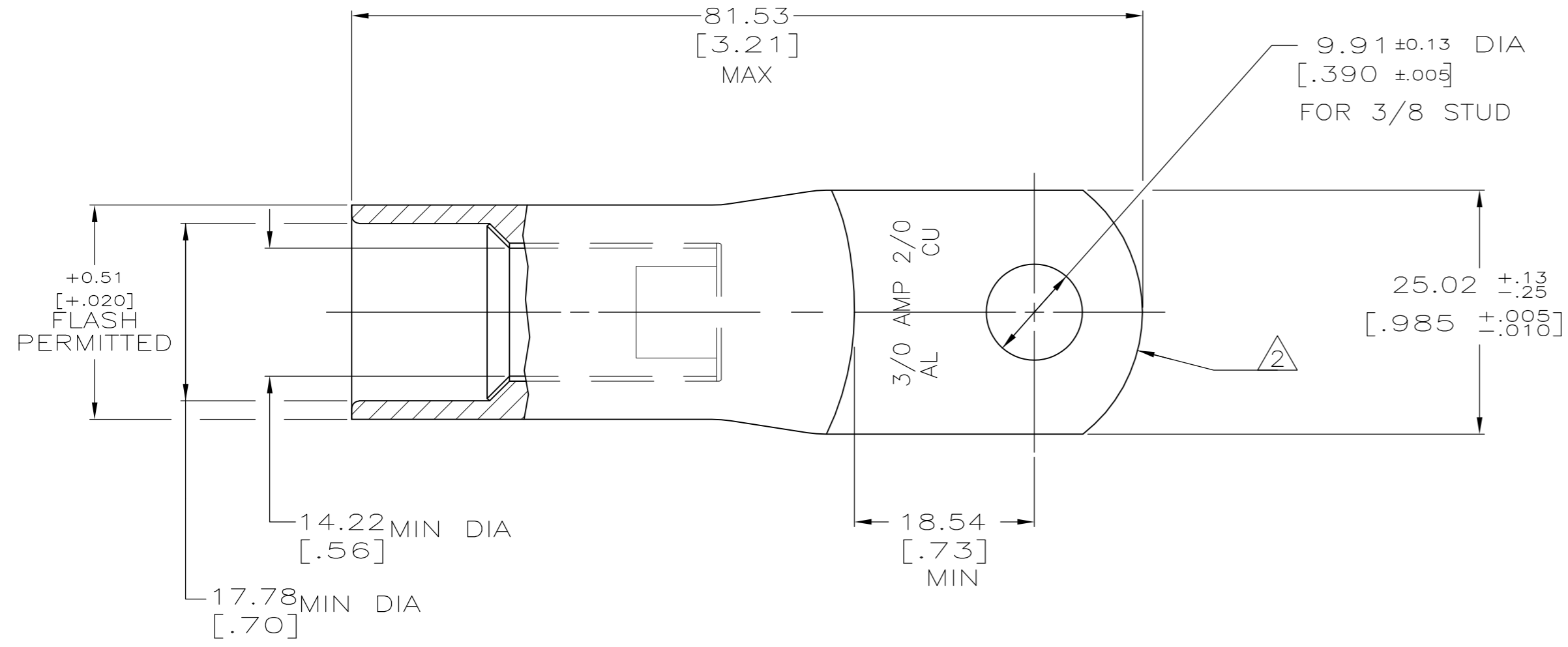
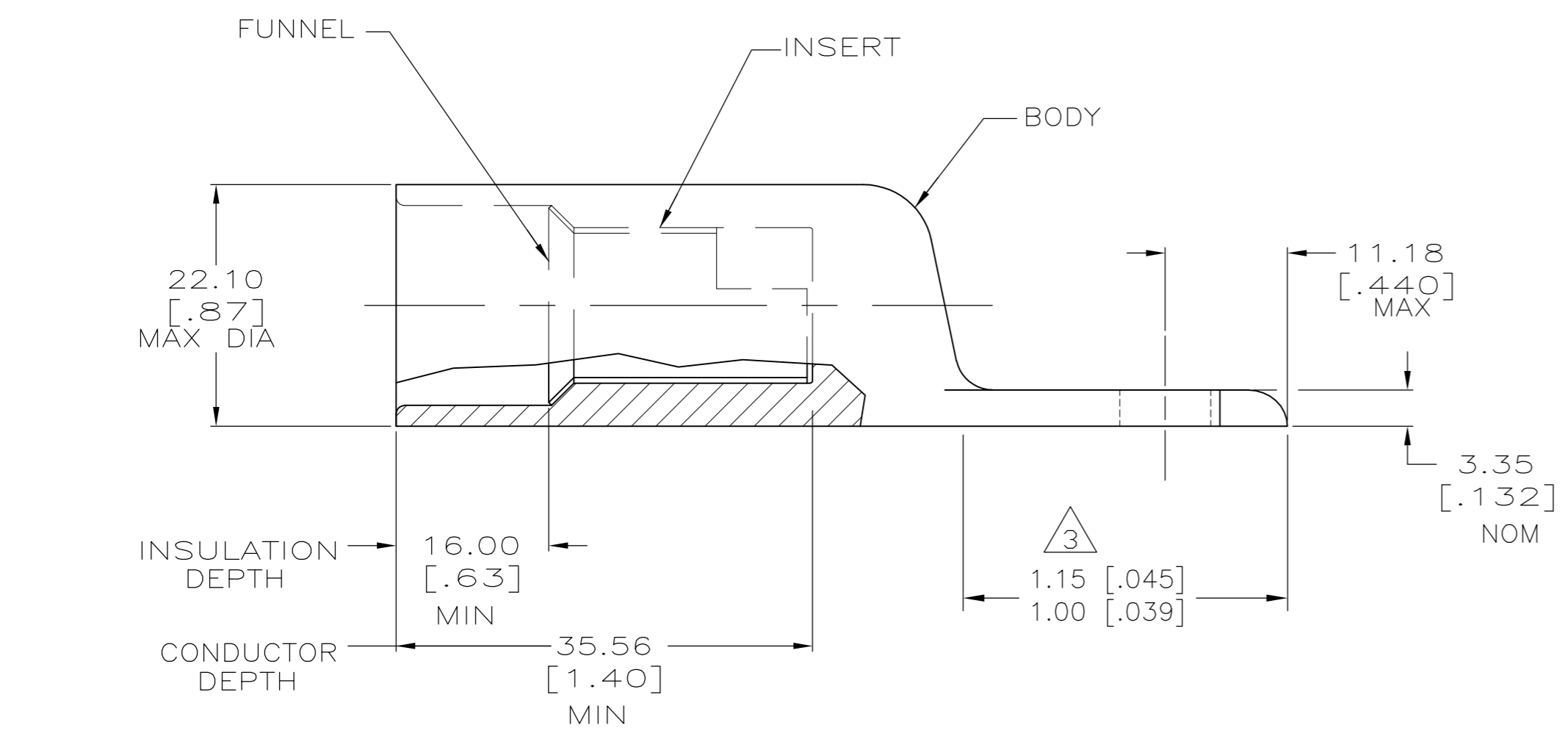


THIS DRAWING IS UNPUBLISHED. RELEASED FOR PUBLICATION
 © COPYRIGHT - By - ALL RIGHTS RESERVED.

LOC		DIST		REVISIONS			
P	LTR	DESCRIPTION		DATE	DWN	APVD	
	J	REVISED PER ECO-13-002702		13MAR13	KG	JW	



1. WIRE INSULATION: 13.21[.520] - 16.38[.645] DIA
- 2 THE TONGUE RADIUS FEATURE IS NOT A TOOLING DIMENSION AND MAY NOT BE A TRUE RADIUS.
- 3 BOTTOM SURFACE OF TONGUE MILLED TO FLATNESS OF .003, 277153-2 ONLY.



PRELIMINARY NOT FOR PRODUCTION	BODY: COPPER ASTM-B187 ANNEALED TIN PL MIL-T-10727 0.00381[.000150] MIN THK INSERT & FUNNEL: BRASS ASTM B36 NICKEL PL SAE AMS QQ-N-290A, DATED JULY 2000, 0.00254 [.000100] MIN THK	277153-2
	BODY: COPPER ASTM-B187 ANNEALED TIN PL MIL-T-10727 0.00381[.000150] MIN THK INSERT & FUNNEL: BRASS ASTM B36 NICKEL PL SAE AMS QQ-N-290A, DATED JULY 2000, 0.00254 [.000100] MIN THK	277153-1
MATERIAL & FINISH		PART NO.

THIS DRAWING IS A CONTROLLED DOCUMENT. DIMENSIONING AND TOLERANCING PER ASME Y14.5M (ISO STANDARDS)		DWN DK SCHRUM 6/23/89	STE TE Connectivity	
DIMENSIONS: MM (IN) [INCHES]		CHK MS FEHER 10/16/90		
TOLERANCES UNLESS OTHERWISE SPECIFIED:		APVD AJ KAUFMAN 10/23/90	NAME	
0 PLC ± -	1 PLC ± -	PRODUCT SPEC	WIRE TERMINAL, RING TONGUE, SEALED COPALUM	
2 PLC ± -	3 PLC ± .005	108-11011	87.2mm2 [3/0] ALUMINUM	
4 PLC ± -	ANGLES ± -	114-2134	68.6mm2 [2/0] COPPER	
MATERIAL SEE TABLE	FINISH SEE TABLE	WEIGHT 103 GRAMS	SIZE A2	CAGE CODE 00779
		CUSTOMER DRAWING	DRAWING NO C=277153	RESTRICTED TO -
		SCALE 2:1	SHEET 1 OF 1	REV J

277153

A