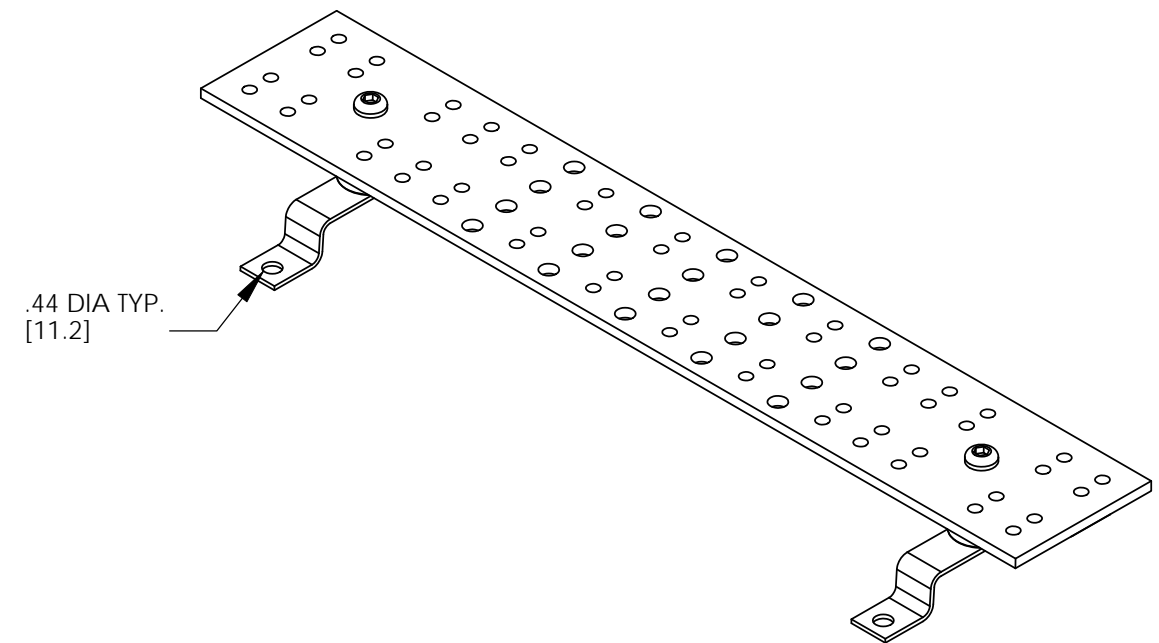
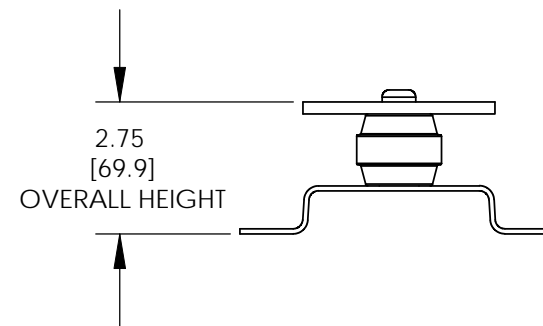
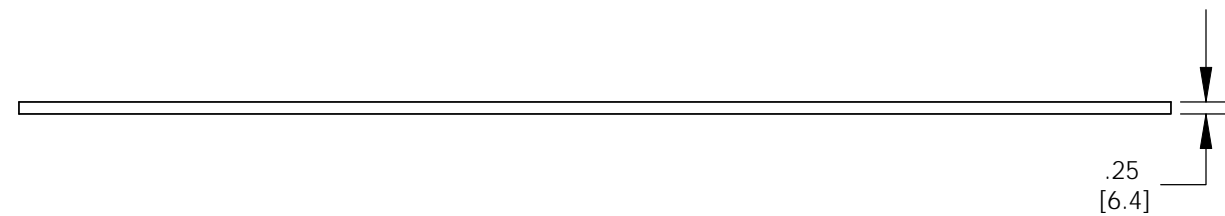
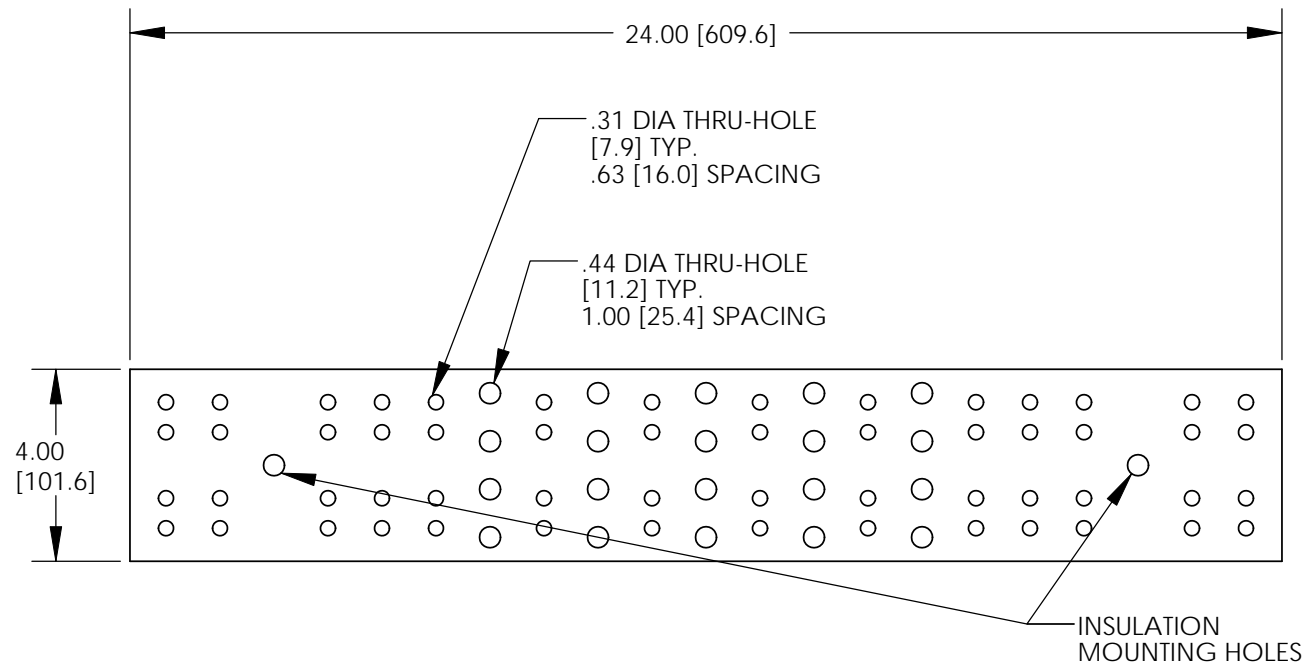


THIS COPY IS PROVIDED ON A RESTRICTED BASIS AND IS NOT TO BE USED IN ANY WAY DETRIMENTAL TO THE INTERESTS OF PANDUIT CORP.

NOTES:

1. KIT COMES FULLY ASSEMBLED
2. KIT INCLUDES BUSBAR, MOUNTING BRACKETS, INSULATORS, AND MOUNTING HARDWARE.
3. MEETS BICSI/J-STD-607-A
4. DIMENSIONS IN PARENTHESIS ARE MILLIMETERS.



ASSEMBLED AS SHOWN

						PANDUIT CORP. TINLEY PARK, ILLINOIS			
						TMGB BCSI GROUNDING BUSBAR (GB4B1028TPI-1) CUSTOMER DRAWING			
						UNLESS OTHERWISE SPECIFIED DIMENSIONAL TOLERANCES ARE:			UNLESS OTHERWISE SPECIFIED, ALL DIMENSIONS ARE GIVEN IN INCHES, THIRD ANGLE PROJECTION
						(.X) ±		(.XXX) ±	
						(.XX) ±		ANGLES ±	
01	12/10	JHNU	JHNU	REVISED AGENCY LOGO	N41768BA-C41768	FLD	FLD	DRAWN BY JESH	MAT'L:
00	1/09	JESH	JESH	DRAWING RELEASED				DATE 1/09	SCALE NONE
REV	DATE	BY	CHK	DESCRIPTION	ECN	-R	SUP	CHK'D	DRAWING NO / CAD FILE C41768_01
									DWG B SIZE