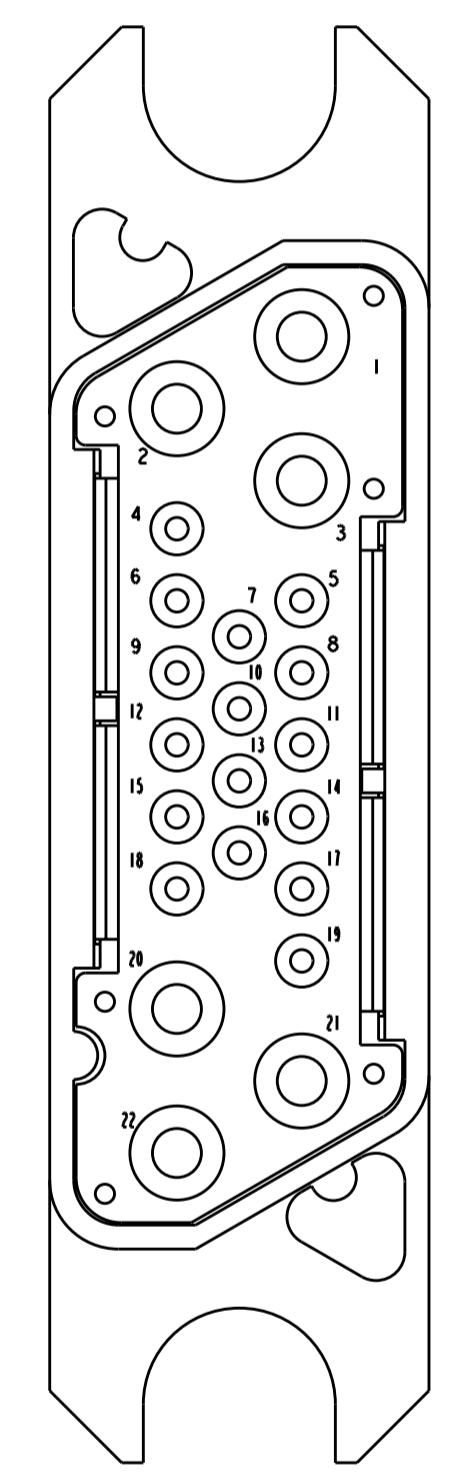
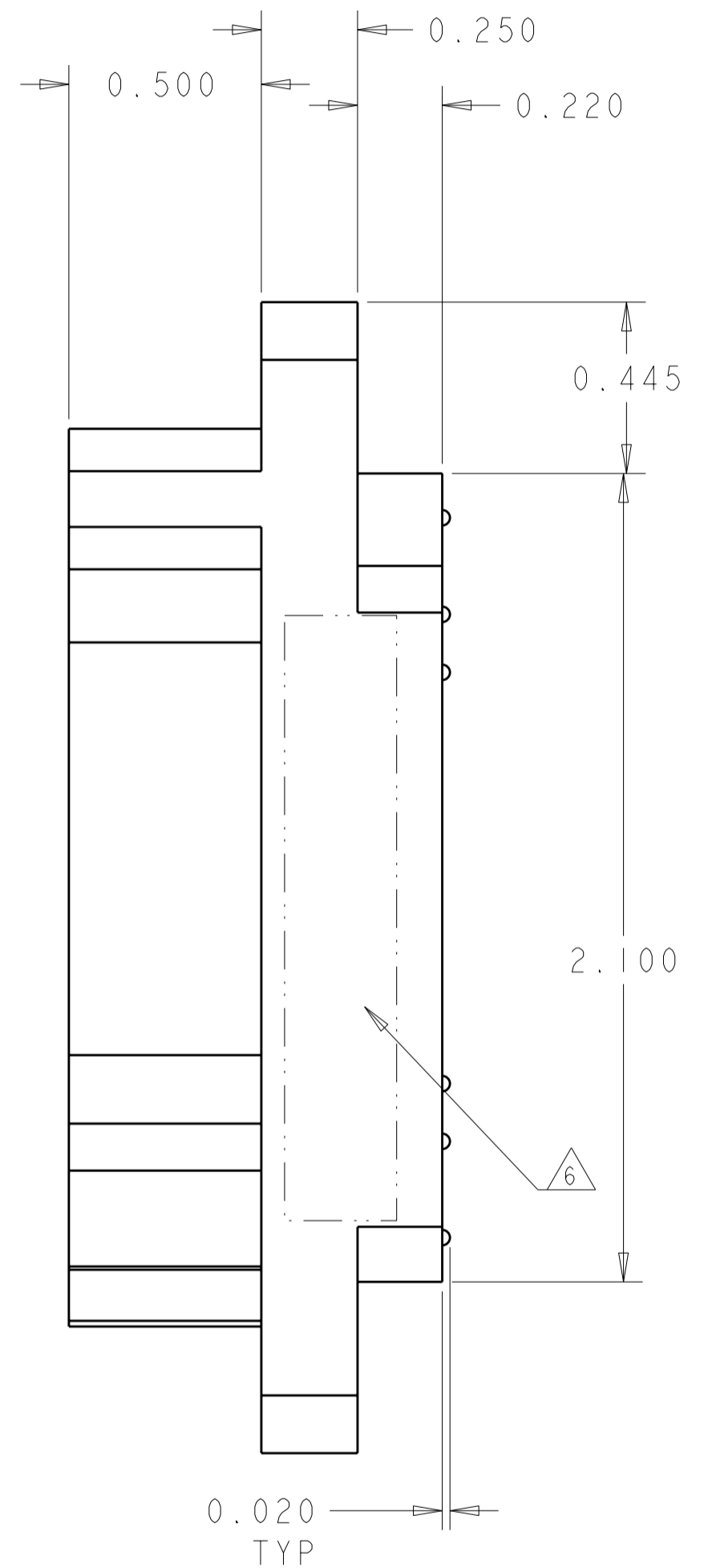
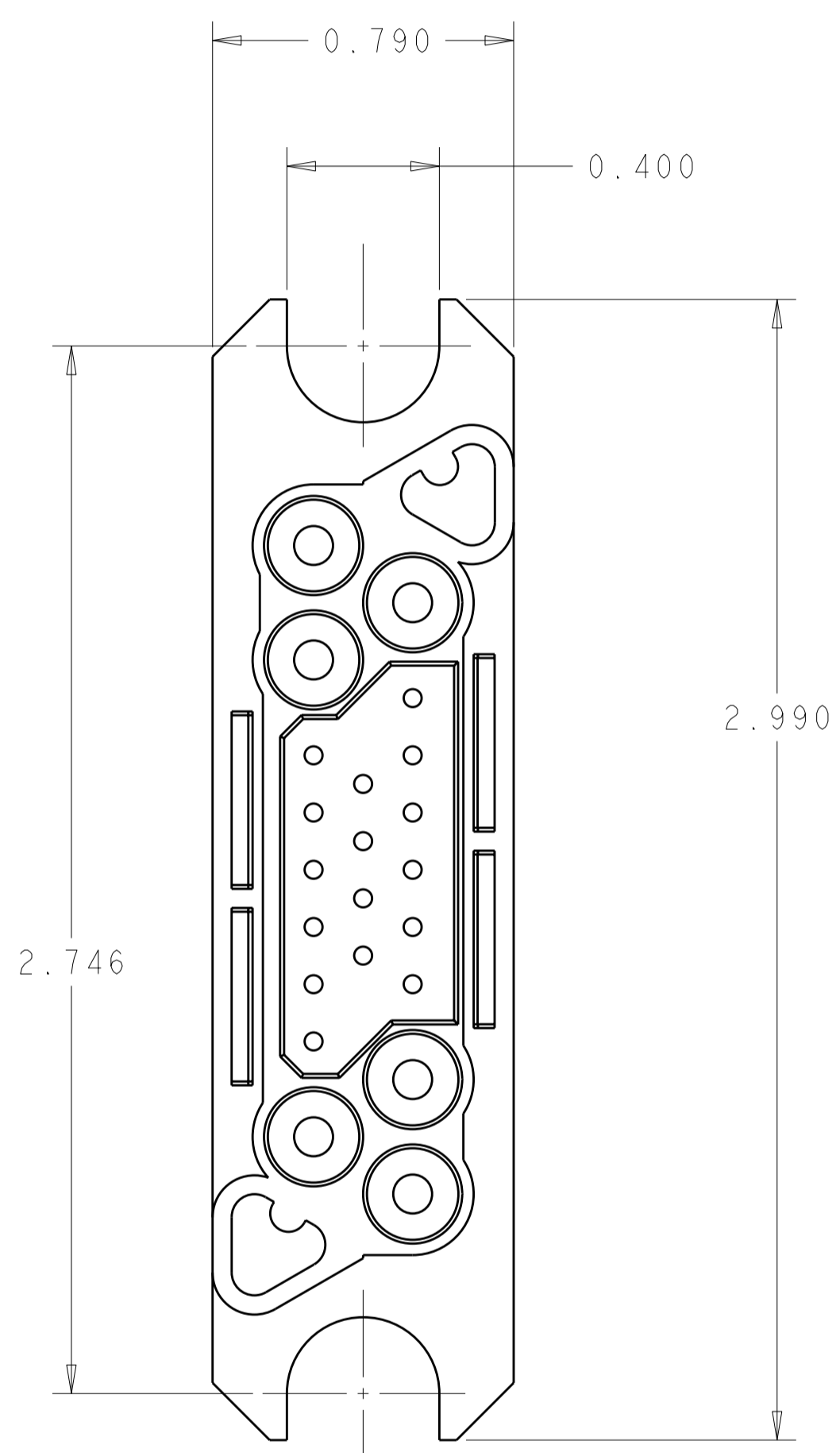


THIS DRAWING IS UNPUBLISHED. RELEASED FOR PUBLICATION 20
 © COPYRIGHT 20 BY TYCO ELECTRONICS CORPORATION. ALL RIGHTS RESERVED.

LOC	DIST	REVISIONS			
P	LTR	DESCRIPTION	DATE	DWN	APVD
GP	00	A	RELEASED	11JUL2008	RG DO



PIN CONTACT SIZE #12
 PIN CONTACT SIZE #20
 PIN CONTACT SIZE #12

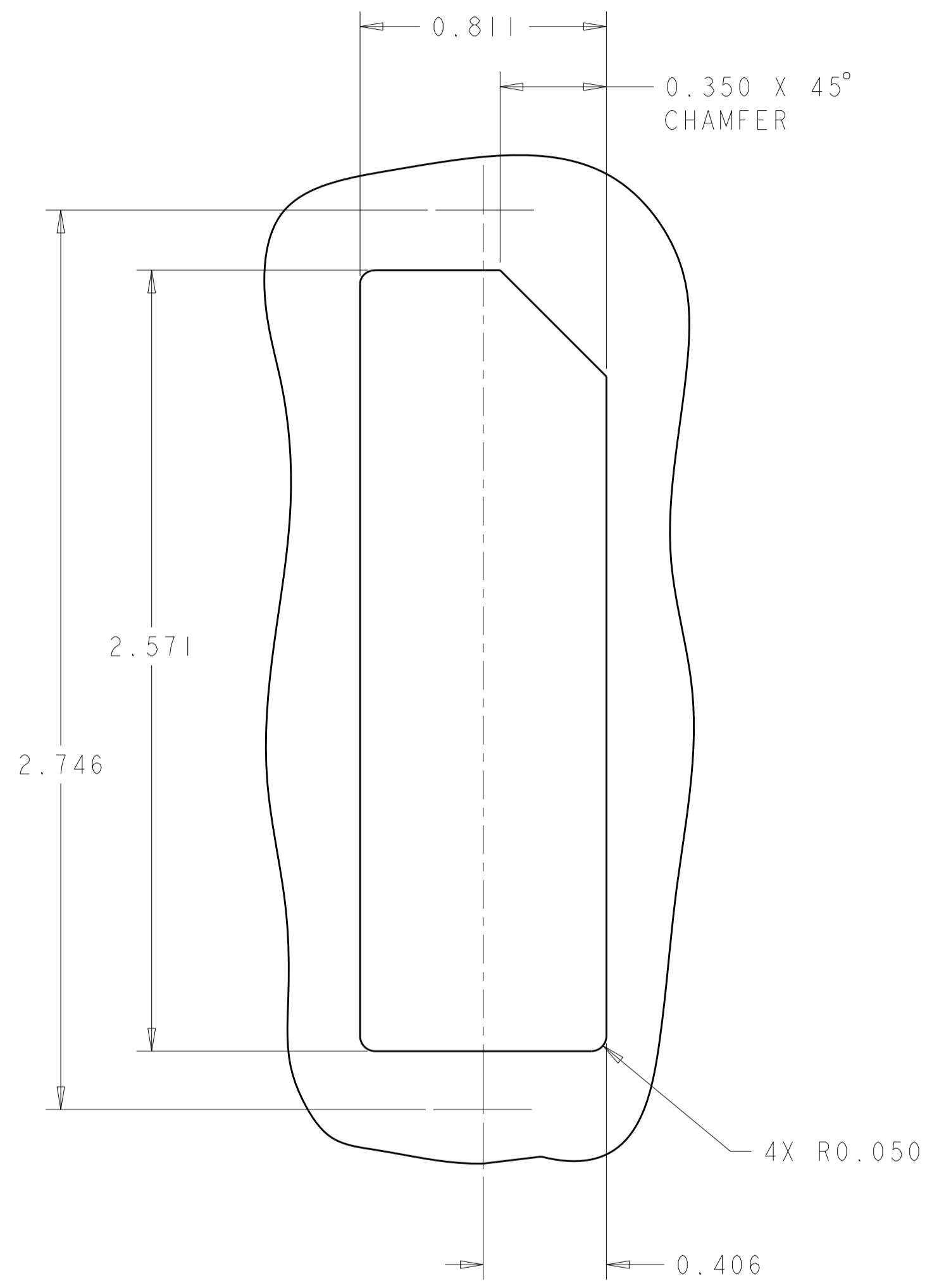
AS SHOWN	1926864-1
DESCRIPTION	PART NUMBER

THIS DRAWING IS A CONTROLLED DOCUMENT FOR TYCO ELECTRONICS CORPORATION. IT IS SUBJECT TO CHANGE AND THE CONTROLLING ENGINEERING ORGANIZATION SHOULD BE CONTACTED FOR THE LATEST REVISION.		DWN R. GRZYBOWSKI 25 JUN 08 CHK D. ORRIS 25 JUN 08 APVD S. FLICKINGER 25 JUN 08	Tyco Electronics Harrisburg, PA 17105-3608
DIMENSIONS: INCHES 	TOLERANCES UNLESS OTHERWISE SPECIFIED: 0 PLC ± 1 PLC ± 2 PLC ±.02 3 PLC ±.010 4 PLC ± ANGLES ±.5 FINISH	PRODUCT SPEC APPLICATION SPEC WEIGHT CUSTOMER DRAWING	NAME CONNECTOR ASSEMBLY, PIN WITH CRIMP CONTACTS MINI DRAWER SIZE CAGE CODE DRAWING NO RESTRICTED TO A200779 C-1926864 -
AMP 1471-9 REV 31MAR2000		SCALE 3:1	SHEET 1 OF 2 REV A

ELCON MINI DRAWER

THIS DRAWING IS UNPUBLISHED. RELEASED FOR PUBLICATION 20
 © COPYRIGHT 20 BY TYCO ELECTRONICS CORPORATION. ALL RIGHTS RESERVED.

LOC	DIST	REVISIONS					
GP	00	P	LTR	DESCRIPTION	DATE	DWN	APVD
		-		SEE SHEET 1			



- PART NUMBER CHANGES AND OR DESIGN CHANGES AFFECTING THE INTERCHANGEABILITY REQUIRE PRIOR TYCO ELECTRONICS APPROVAL AND AUTHORIZATION BY REVISION TO THIS DRAWING.
- MATERIAL:
 INSULATOR: THERMOPLASTIC, GLASS REINFORCED, UL 94V-0
 FLAMMABILITY RATED, COLOR: BLACK
 CONTACT: COPPER ALLOY
 RETENTION CLIP: BERYLLIUM COPPER OR STAINLESS STEEL
- FINISH:
 CONTACTS : GOLD .000010 MIN. THK. OVER NICKEL .000050 MIN THK.
- ⚠️ CRIMP CONTACTS (ITEMS B THRU E) AND SCREWS (ITEM F) SHALL BE PACKAGED SEPARATELY AND PLACED IN THE BOX WITH THE CONNECTOR ASSEMBLY.
- THIS CONNECTOR ASSEMBLY SHALL BE PACKAGED AS A KIT.
- ⚠️ ITEMS PROVIDED TO THIS SPECIFICATION TO BE PERMANENTLY IDENTIFIED PER THE FOLLOWING IDENTIFIER:

TYCO ELECTRONICS P/N DATE CODE (e.g. 0216) YEAR 1 WEEK

XXXXXXX-X XXXX

⚠️ 2	1650402-1	SCREW, SHOULDER, 8-32 THD	F
⚠️ 6	1650153-2	CONTACT, PIN, #12, CRIMP, STD	E
⚠️ 1	1650162-2	CONTACT, PIN, #20, CRIMP, POSTMATE	D
⚠️ 2	1650161-1	CONTACT, PIN, #20, CRIMP, PREMATE	C
⚠️ 3	1650155-1	CONTACT, PIN, #20, CRIMP, STD	B
⚠️ 1	1648110-2	HOUSING, PIN, FLOAT MOUNT (UNMARKED)	A
-1	PART NUMBER	DESCRIPTION	ITEM

SUGGESTED PANEL CUTOUT
 VIEW FROM CONNECTOR MOUNTING SIDE

ELCON MINI DRAWER

<small>THIS DRAWING IS A CONTROLLED DOCUMENT FOR TYCO ELECTRONICS CORPORATION IT IS SUBJECT TO CHANGE AND THE CONTROLLING ENGINEERING ORGANIZATION SHOULD BE CONTACTED FOR THE LATEST REVISION.</small>		DWN R. GRZYBOWSKI 25 JUN 08 CHK D. ORRIS 25 JUN 08 APVD S. FLICKINGER 25 JUN 08	Tyco Electronics Harrisburg, PA 17105-3608
DIMENSIONS: INCHES 	TOLERANCES UNLESS OTHERWISE SPECIFIED: 0 PLC ± 1 PLC ± 2 PLC ±.02 3 PLC ±.010 4 PLC ± ANGLES ±.5 FINISH	PRODUCT SPEC APPLICATION SPEC WEIGHT	NAME SIZE CAGE CODE DRAWING NO RESTRICTED TO
MATERIAL		CUSTOMER DRAWING	A200779C-1926864 SCALE 3:1 SHEET 2 OF 2 REV A