

THIS DRAWING IS A CONTROLLED DOCUMENT.

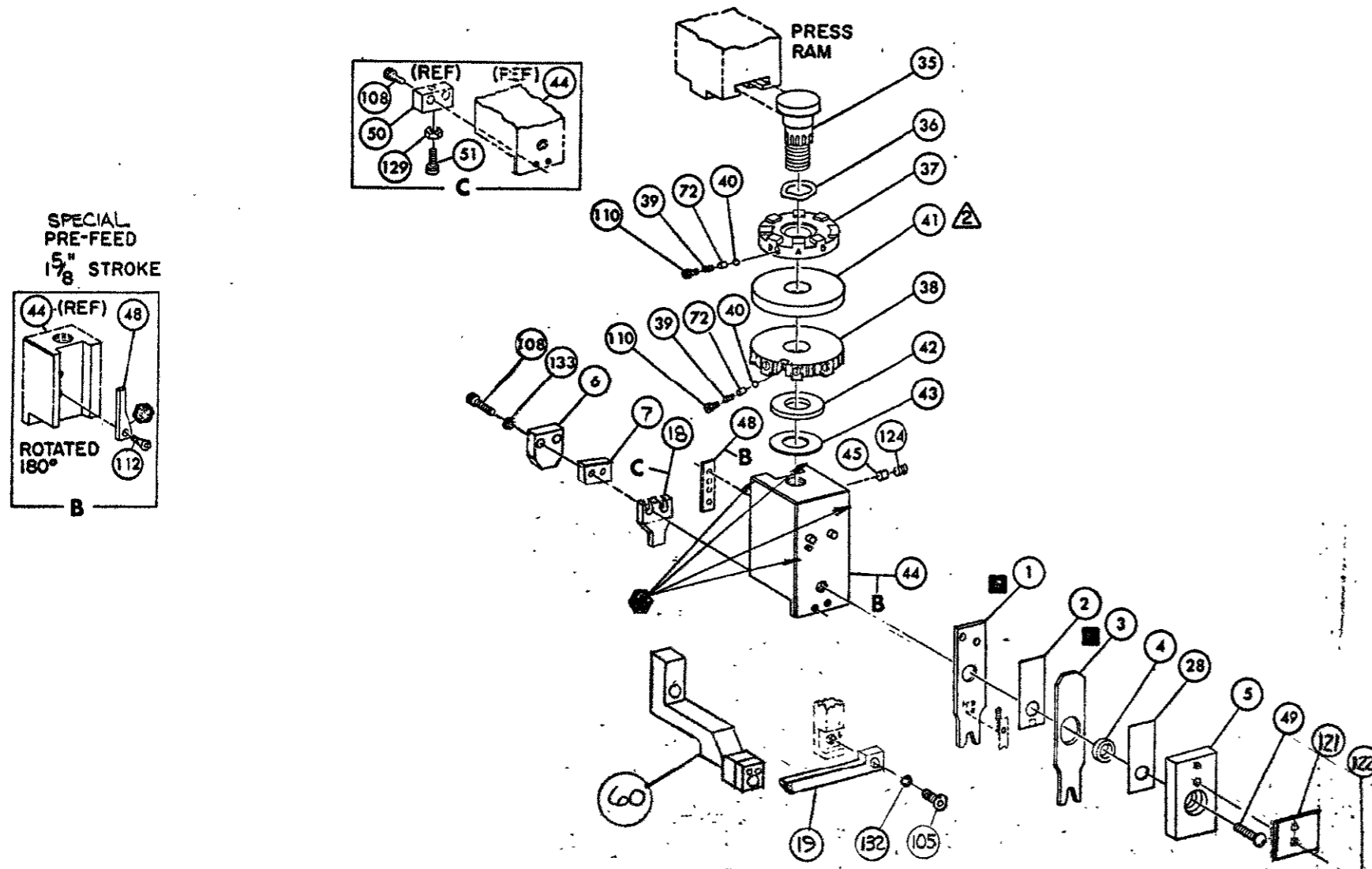
May 19, 1995

RELEASED FOR PUBLICATION
BY AMP INCORPORATED. ALL RIGHTS RESERVED.

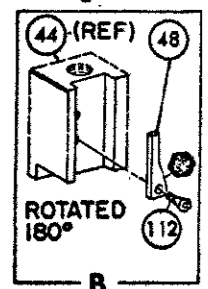
THIS DRAWING IS UNPUBLISHED.
© COPYRIGHT 1995

DIST 66

* Trademark of AMP Incorporated
AMP 2983-3 (8-73)



SPECIAL
PRE-FEED
5/8" STROKE



NOTES:

1- ONLY THE ITEMS WITH QUANTITIES SPECIFIED ON PARTS LIST ARE USED ON THIS APPLICATOR.

△ USED IN PLACE OF ITEM 38 WHEN INSULATION CRIMP IS NOT USED.

3-FEED PIVOT-CENTER HOLE.

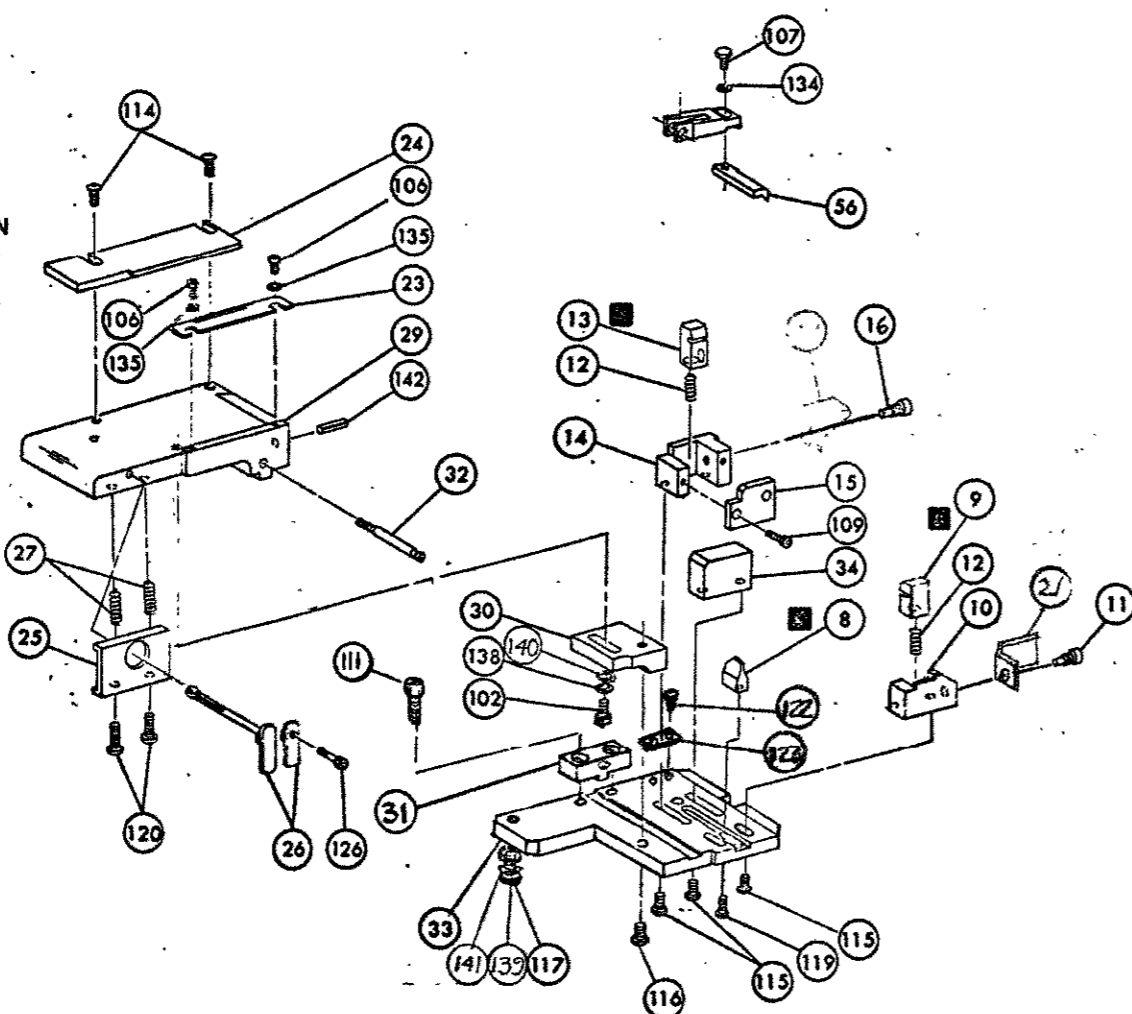
△ SEE REMARKS

△ SEE REMARKS

KEY:

■ -RECOMMENDED SPARE PARTS

⊙ -GREASE WEEKLY



QTY	PART NO	DESCRIPTION	ITEM	QTY	PART NO	DESCRIPTION	ITEM
1	4-21028-0	PIN, SLOT SPR (.093 DIA X .75) STR G PLATE	142	REF	694433-8	PAWL FEED	56
1	21899-2	WASHER, FLAT (NO 10) MOUNTING	141				55
1	21899-2	WASHER, FLAT (NO 10) S. G. ADJ BLOCK	140				54
1	21024-5	WASHER, LOCK (NO 10) MOUNTING	139				53
1	21024-5	WASHER, LOCK (NO 10) STRIP GUIDE ADJ BLOCK	138				52
			137				51
			136				50
2	21024-2	WASHER, LOCK (NO 4) FRONT STRIP GUIDE	135	1	7-21002-9	BOLT, CRIMPER (BUT. HD. 5/16-24 UNF X 1.00)	49
REF	21024-4	WASHER, LOCK (NO 8) FEED FINGER	134	1	690602-6	CAM PRE FEED 1.62 STROKE	48
2	21024-4	WASHER, LOCK (NO 8) DEPRESSOR	133				47
REF	21024-4	WASHER, LOCK (NO 8) STRIPPER	132				46
			131	1	690191-1	PLUG, NYLON	45
			130	1	455673-1	RAM	44
			129	1	690125-1	WASHER, LAMINATED	43
			128	1	690124-9	WASHER, RAM	42
			127			DISC, SPACER	41
			126	2	23241-6	BALL, STEEL	40
			125	2	690170-1	SPRING, COMPRESSION	39
1	21009-2	SCR, SKT SET (1/4-20 X .25) (LOC-WEL) RAM	124	1	690142-4	DISC, INSULATION	38
1	690701-2	PLATE, I.D.	123	1	5-690692-9	DISC, WIRE	37
4	21017-2	SCR, DRIVE (#2 X .188 LG)	122	1	22480-5	WASHER, SPRING	36
1	819347-1	PLATE, I.D.	121	1	690212-1	POST, RAM	35
2	3-21002-0	SCR, BUT HD SKT CAP (10-32 X .98) DRAG	120			SUPPORT, TERMINAL	34
1	22733-8	SCR, BUT HD SKT CAP (8-32 X .38) (LOC-WEL) ANVIL	119	1	462544-1	PLATE, BASE SPECIAL	33
			118	1	690432-3	SCREW, ADJUSTMENT	32
1	3-21000-9	SCR, SOC HD SKT CAP (10-32 X 1.00) MOUNTING	117	1	462543-1	BLOCK, SCREW SPECIAL	31
1	2-21002-7	SCR, BUT HD SKT CAP (10-32 X .50) SG ADJ BLOCK	116	1	455689-1	BLOCK, STRIP GUIDE ADJ	30
4	2-21002-2	SCR, BUT HD SKT CAP (8-32 X .50) SHEAR	115	1	455671-5	PLATE, STRIP GUIDE	29
2	2-21002-1	SCR, BUT HD SKT CAP (8-32 X .38) R STRIP GUIDE	114			SPACER, FRONT SHEAR DEPRESSOR	28
			113	2	1-22284-0	SPRING, DRAG	27
1	1-21002-7	SCR, BUT HD SKT CAP (6-32 X .50) CAM	112	1	690546-1	LEVER, DRAG RELEASE	26
2	2-21000-7	SCR, SKT HD CAP (8-32 X .50) SCR. BLOCK	111	1	240792-1	DRAG, STOCK	25
2	23030-1	SCR, SKT HD CAP (6-32 X .25) (LOC-WEL) CP DISC	110	1	6-690504-4	GUIDE STRIP (REAR)	24
2	1-21000-8	SCR, SKT HD CAP (6-32 X .25) REAR SHEAR PLATE	109	1	690438-1	GUIDE, STRIP (FRONT)	23
2	2-21000-8	SCR, SKT HD CAP (8-32 X .62) DEPRESSOR (REAR)	108				22
REF	2-21002-1	SCR, BUT HD MACH (8-32 X .38) FEED FINGER	107	1	463756-1	GUIDE, SCRAP	21
2	1-21000-3	SCR, SKT HD CAP (4-40 X .25) F STRIP GUIDE	106				20
REF	2-21002-1	SCR, BUT HD CAP (8-32 X .38) STRIPPER	105	REF	462615-1	STRIPPER	19
			104	1	690518-2	HOLDER, TERMINAL	18
			103	1	690518-1	HOLDER, TERMINAL	17
1	3-22603-1	SCR, HEX HD CAP (10-32 X .38) SG ADJ BLOCK	102	1	690461-1	STOP, SHEAR (REAR)	16
			101	1	1-690691-1	PLATE, SHEAR (REAR)	15
			79	1	691023-1	HOLDER, SHEAR (REAR)	14
			78	1	690463-1	SHEAR, FLOAT (REAR)	13
2	463310-7	BLADE, STRIPPING (# 24)	77	2	5-22280-0	SPRING, SHEAR	12
			76	1	690461-2	STOP, SHEAR (FRONT)	11
			75	1	462548-1	HOLDER, SHEAR (FRONT) SPECIAL	10
			74	1	462547-1	SHEAR, FLOAT (FRONT) SPECIAL	9
2	690603-1	SPRING, ASSIST	73	1	4-690512-9	ANVIL	8
			72	1	240641-5	SPACER, DEPRESSOR (REAR)	7
			71	1	690468-1	DEPRESSOR, SHEAR (REAR)	6
			70	1	462838-1	DEPRESSOR, SHEAR (FRONT) SPECIAL	5
			69	1	2-238011-5	SPACER, TUBULAR, INS CRIMPER	4
			68	1	7-456135-8	CRIMPER, INSULATION	3
			67	1	455888-5	SPACER, CRIMPER	2
			66	1	1-456401-6	CRIMPER, WIRE	1
			65				
			64				
			63				
			62				
			61				
			60				
			59				
			58				
			57				
			56				
			55				
			54				
			53				
			52				
			51				
			50				
			49				
			48				
			47				
			46				
			45				
			44				
			43				
			42				
			41				
			40				
			39				
			38				
			37				
			36				
			35				
			34				
			33				
			32				
			31				
			30				
			29				
			28				
			27				
			26				
			25				
			24				
			23				
			22				
			21				
			20				
			19				
			18				
			17				
			16				
			15				
			14				
			13				
			12				
			11				
			10				
			9				
			8				
			7				
			6				
			5				
			4				
			3				
			2				
			1				

QTY	PART NO	DESCRIPTION	ITEM
REF	816472-1	STOP, WIRE	

REMARKS	NO	REV
APPL USED ON MACHINE PART NO	MACH SERIAL NO	DISTRIBUTION
CUSTOMER NAME	APPL SERIAL NO	ORIGINAL
ADDRESS	PURCHASE ORDER	CUSTOMER COPY
CITY	ENG APP	FIELD ENG COPY

CRIMP	SIZE	TYPE	FEED	APPL INST
WIRE	042	F	.300	A1
INSUL	062	O		

WIRE RANGE 26-24 A INSULATION RANGE PRESS NO 055MAX A 463345-1

REMARKS
 △ WIRE SIZE # 22 NOT RECOMMENDED
 △ INS O.D. TO OGI WHEEL APPROVED BY APPL ENG.
 SIM 466571

466918-1