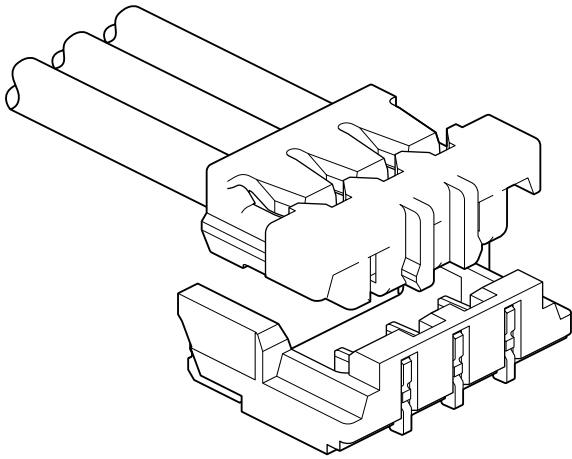


# ADH CONNECTOR



**1.3mm pitch/Disconnectable Crimp style connectors**



***This ADH connector is compact and low profile type, height 1.9mm and width 4.3mm, 1.3mm pitch wire-to-board connector.***

- Space saving
- Top entry but side feed type
- Connector for power supply (3A)

## Specifications

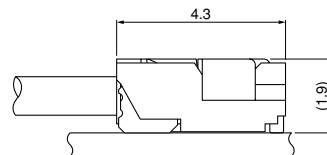
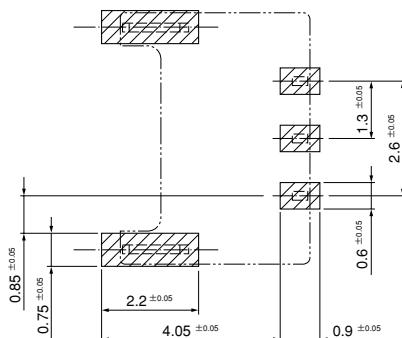
- Current rating: 3 A AC, DC (AWG #26)
- Voltage rating: 30 V AC, DC
- Temperature range: -25°C to +85°C  
(including temperature rise in applying electrical current)
- Contact resistance: Initial value/ 20 mΩ max.  
After environmental tests/ 30 mΩ max.
- Insulation resistance: 100 MΩ min.
- Withstanding voltage: 500 VAC/minute
- Applicable wire: Conductor size/ AWG #28 to #26  
Insulation O.D./ 0.63 mm, 0.98 mm

- \* Refer to "General Instruction and Notice when using Terminals and Connectors" at the end of this catalog.
- \* Contact JST for details.
- \* Compliant with RoHS.

## Standards

Ⓜ Recognized E60389

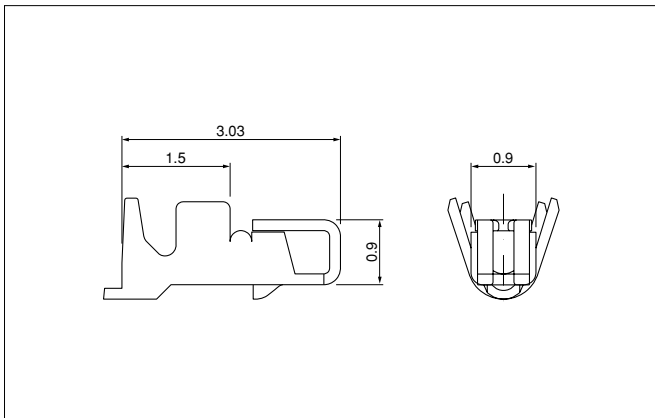
## PC board layout and Assembly layout



- Note: 1. The above figure is the figure viewed from the connector mounting side.  
2. Tolerances are non-cumulative: ±0.05 mm for all centers. The dimensions above should serve as a guideline. Contact JST for details.

# ADH CONNECTOR

## Contact



| Model No.             | Applicable wire |      | Insulation O.D. (mm) | Q'ty/reel |
|-----------------------|-----------------|------|----------------------|-----------|
|                       | mm <sup>2</sup> | AWG# |                      |           |
| <b>SADH-002G-P0.2</b> | 0.14            | 26   | 0.98                 | 25,000    |
| <b>SADH-003G-P0.2</b> | 0.08            | 28   | 0.63                 | 25,000    |

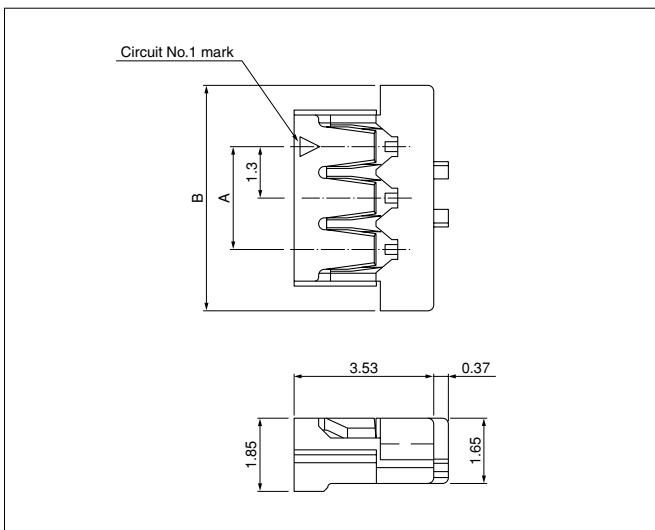
### Material and Finish

Copper alloy, nickel-undercoated, gold-plated

### RoHS compliance

| Contact               | Crimping machine | Applicator       |                |                            |
|-----------------------|------------------|------------------|----------------|----------------------------|
|                       |                  | Crimp applicator | Dies           | Crimp applicator with dies |
| <b>SADH-002G-P0.2</b> | AP-K2N           | MKS-L-10-3       | MK/SADH-002-02 | APLMK SADH002-02           |
|                       |                  | —                | —              | —                          |
| <b>SADH-003G-P0.2</b> | AP-K2N           | MKS-L-10-3       | MK/SADH-003-02 | APLMK SADH003-02           |
|                       |                  | —                | —              | —                          |

## Housing



| Circuits | Model No.         | Dimensions (mm) |     | Q'ty/bag |
|----------|-------------------|-----------------|-----|----------|
|          |                   | A               | B   |          |
| 3        | <b>ADHR-03V-H</b> | 2.6             | 5.7 | 1,000    |

### Material

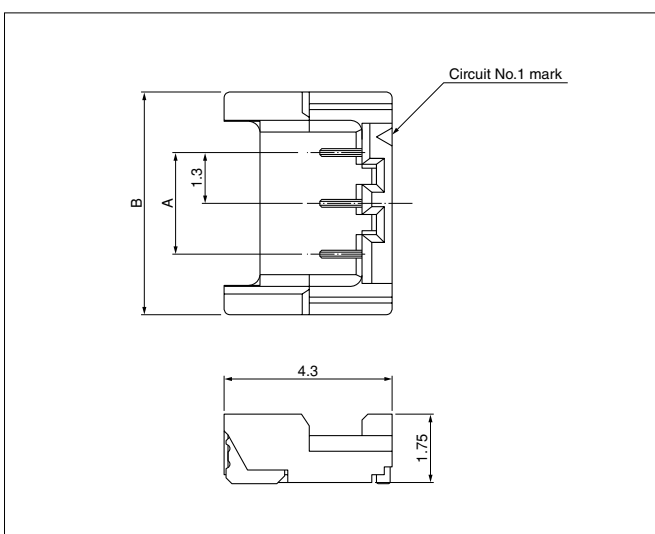
PBT, UL94V-0

### RoHS compliance

<For reference> As the color identification, the following alphabet shall be put in the underlined part.  
For availability, delivery and minimum order quantity, contact JST.

ex. **ADHR-03V-H**  
H...gray S...natural

## Shrouded header



| Circuits | Model No.                     | Dimensions (mm) |     | Q'ty/reel |
|----------|-------------------------------|-----------------|-----|-----------|
|          |                               | A               | B   |           |
| *2       | <b>BM02(3)B-ADHSS-GAN-ETB</b> | 2.6             | 5.7 | 5,000     |
| 3        | <b>BM03B-ADHKS-GAN-ETB</b>    | 2.6             | 5.7 | 5,000     |

### Material and Finish

Contact: Copper alloy, nickel-undercoated, gold-plated (nickel-stripe)  
Housing: Heat resisting resin, UL94V-0  
Reinforcement: Copper alloy, copper-undercoated, tin-plated (reflow treatment)

**RoHS compliance** This product displays (LF)(SN) on a label.  
Note: 1. The products listed above are supplied on embossed-tape.  
2. \*2-circuit product: Removing center pin from 3-circuit product.

<For reference> As the color identification, the following alphabet shall be put in the underlined part.  
For availability, delivery and minimum order quantity, contact JST.

ex. **BM03B-ADHKS-GAN-ETB**  
K...black S...white