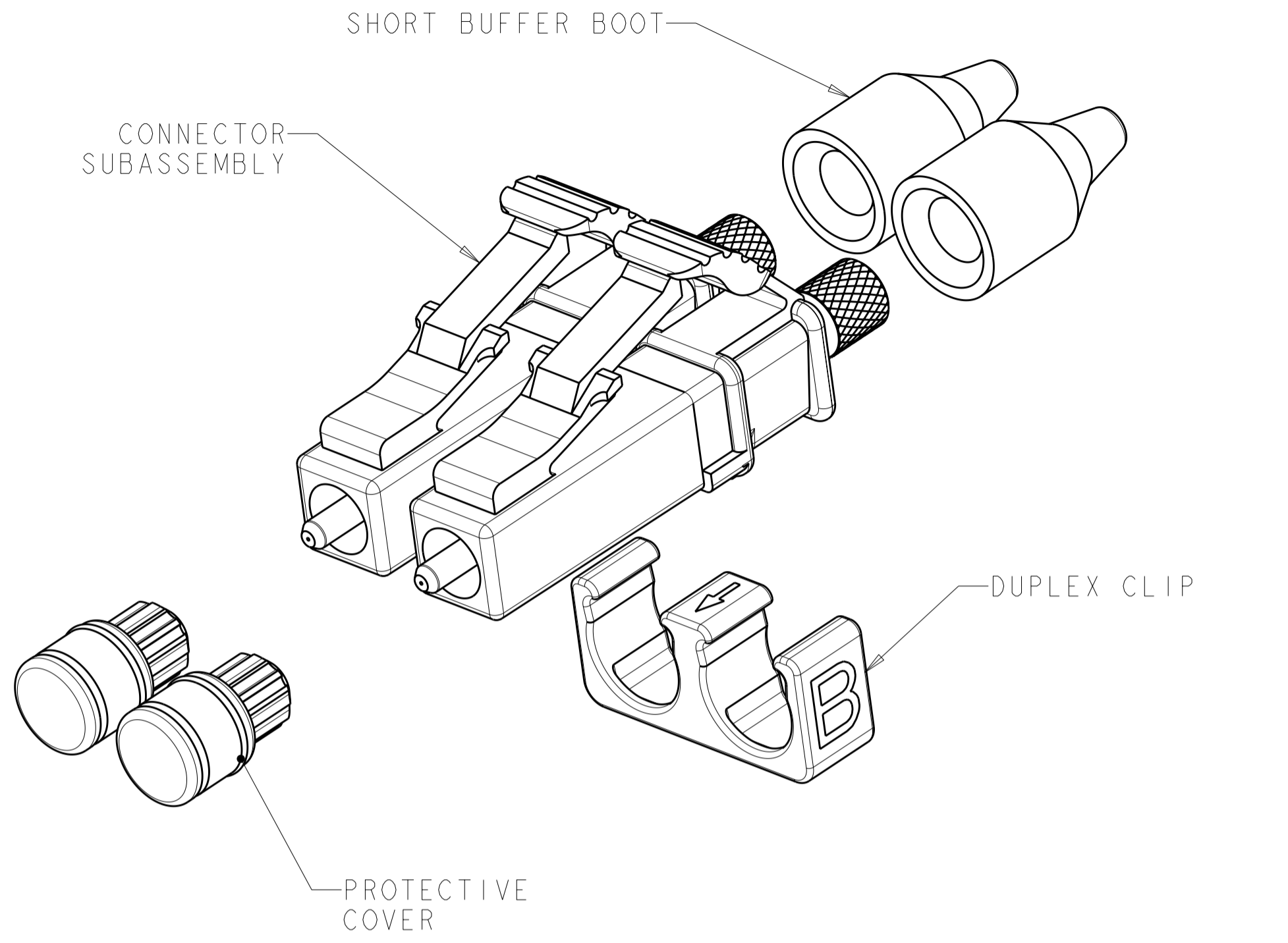


THIS DRAWING IS UNPUBLISHED. RELEASED FOR PUBLICATION  
 © COPYRIGHT BY TYCO ELECTRONICS CORPORATION. ALL INTERNATIONAL RIGHTS RESERVED.

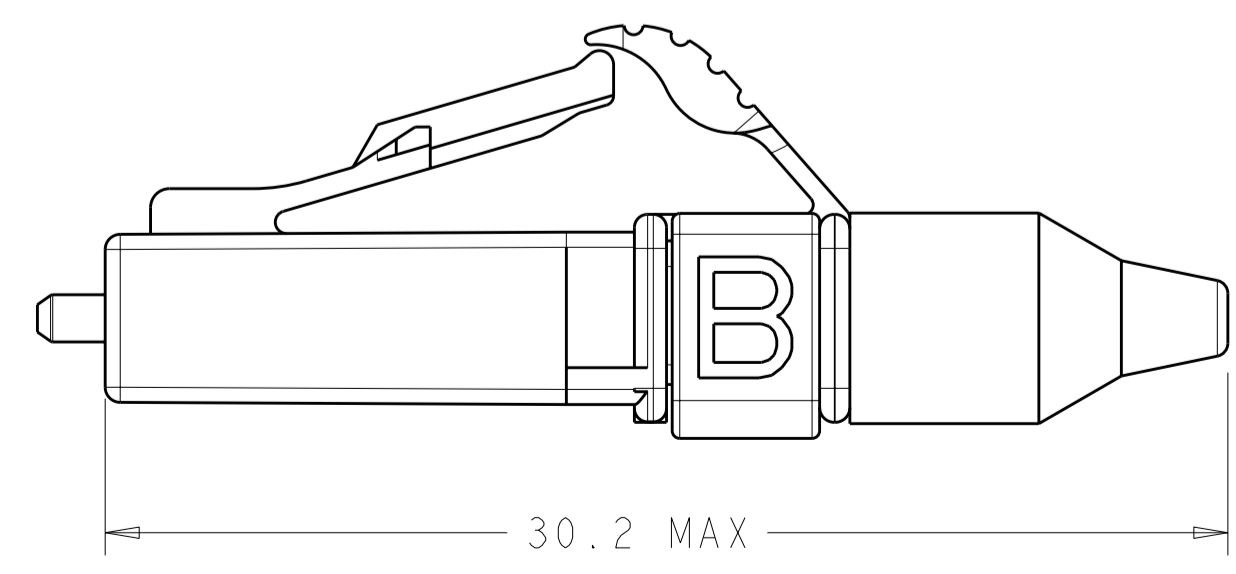
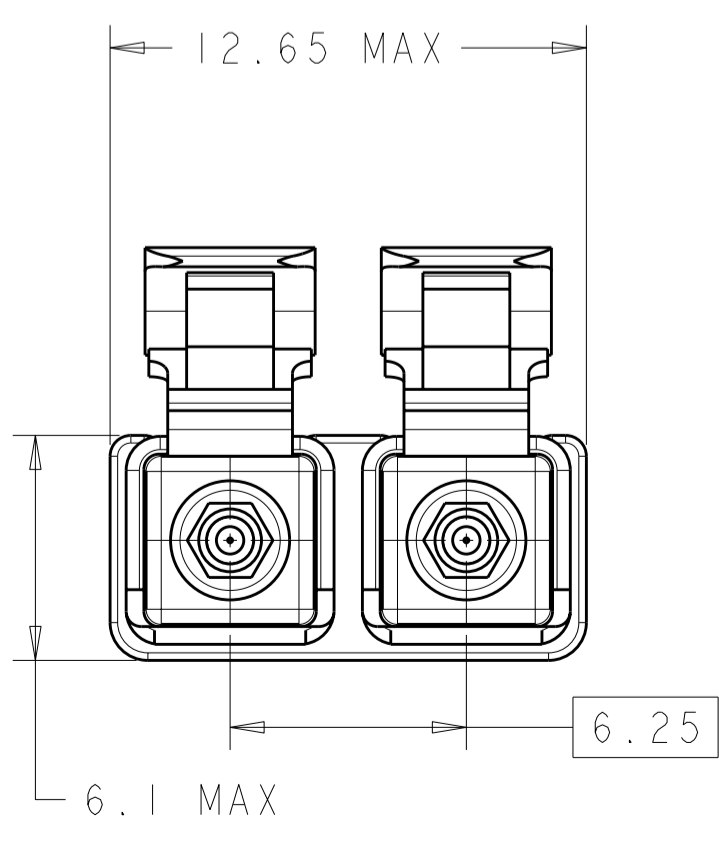
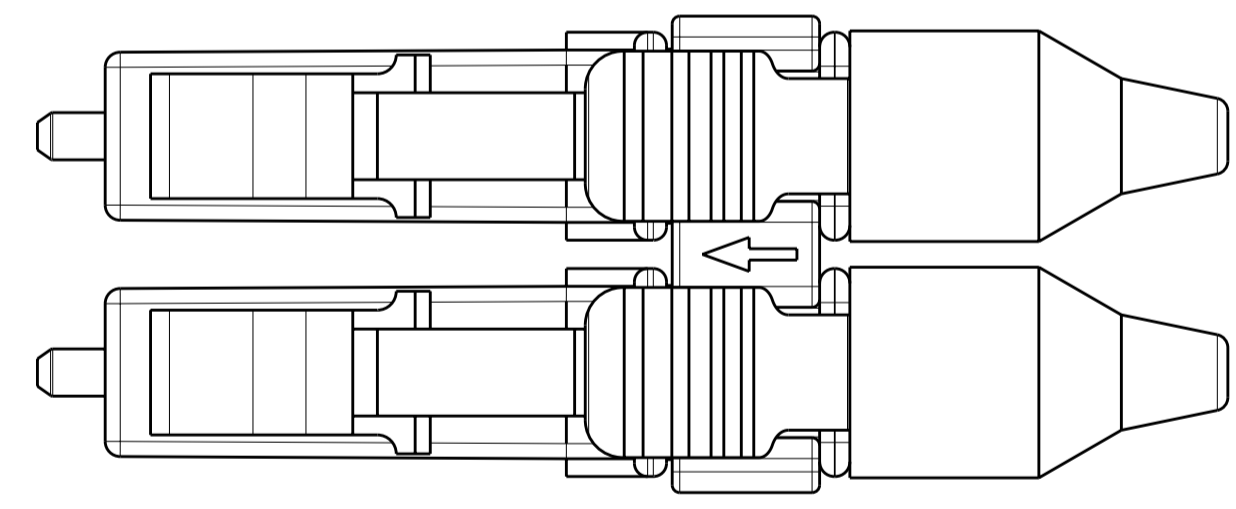
LOC		DIST		REVISIONS			
P	LTR	DESCRIPTION	DATE	DWN	APVD		
	C2	PRINT STANDARDIZATION	25JUL2008	BB	CB		
	C3	REVISE NOTE 3	16MAR2009	BB	SB		
	D	REV PER ECR-10-009334	12MAY2010	IL	CT		



- 1 MATERIAL  
 PROTECTIVE COVER: TPE, COLOR: BLACK, UL94 HB\*  
 FERRULE SUBASSEMBLY: ZIRCONIA/METAL  
 COMPRESSION SPRING: STAINLESS STEEL  
 FRONT HOUSING: PEI, COLOR: BEIGE, UL94 V-0\*  
 INNER TUBING: PTFE, COLOR: CLEAR, UL VW-1  
 REAR BODY: METAL  
 BOOT: TPE, UL94 V-0\*, SEE TABLE FOR COLOR.  
 DUPLEX CLIP: PEI, COLOR: BLACK, UL94 V-0\*  
 \*RATED AT QUALIFYING THICKNESS.

2 BULK PACKAGED.

3. INSTRUCTION SHEET: 408-8675 AVAILABLE FOR DOWNLOAD AT  
[www.tycoelectronics.com/documents](http://www.tycoelectronics.com/documents) OR  
[www.ampnetconnect.com/foguide](http://www.ampnetconnect.com/foguide).



2	BLACK	1918388-6
2	AQUA	1918388-5
	BLACK	1918388-4
	AQUA	1918388-3
2	BEIGE	1918388-2
	BEIGE	1918388-1
	BOOT COLOR	PART NUMBER

DIMENSIONS:		TOLERANCES UNLESS OTHERWISE SPECIFIED:		DWN		Tyco Electronics	
mm		0 PLC	±	B. BRIGGS	24APR2006	Tyco Electronics Corporation Shanghai, China	
		1 PLC	±	CHK	24APR2006	NAME	
		2 PLC	±	D. ROHDE	24APR2006	KIT, CONNECTOR, LC, DUPLEX, MM, 900um BUFFER	
		3 PLC	±	APVD	24APR2006	SIZE	CAGE CODE
		4 PLC	±	D. BAECHTLE		A2	-
		ANGLES	±	PRODUCT SPEC		DRAWING NO	RESTRICTED TO
		FINISH		APPLICATION SPEC		©-1918388	-
MATERIAL				WEIGHT		SCALE	SHEET
1						5:1	OF
				CUSTOMER DRAWING			REV
							D