

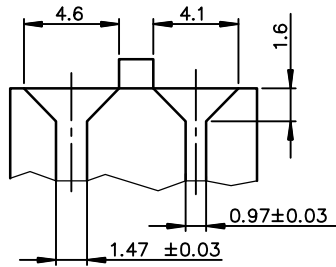
1

2

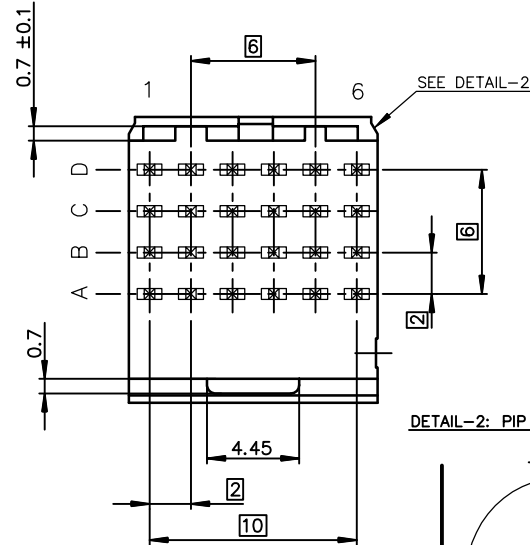
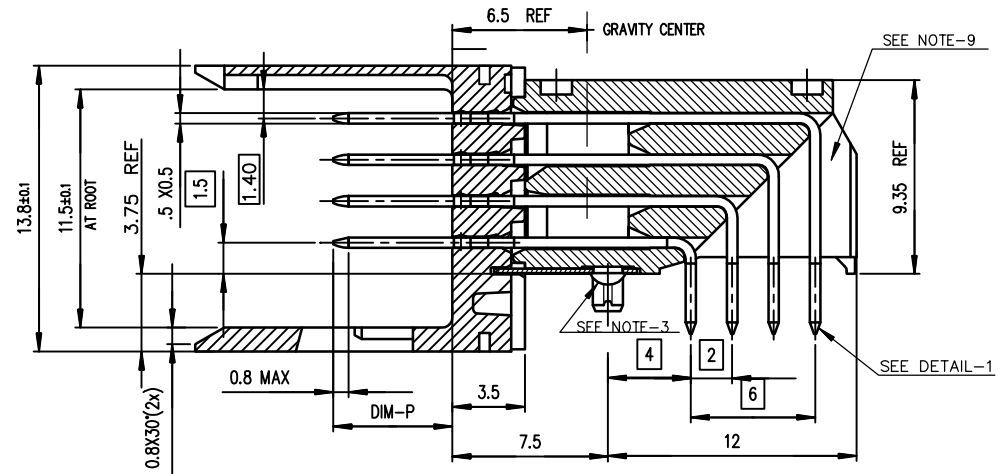
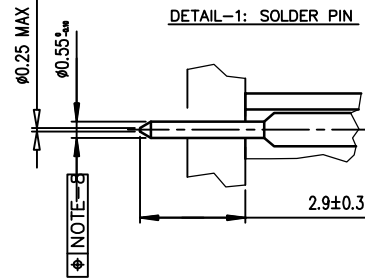
3

4

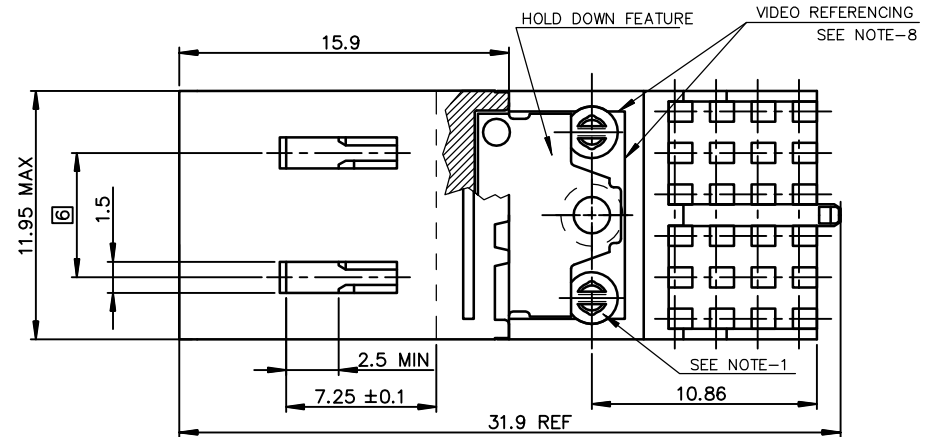
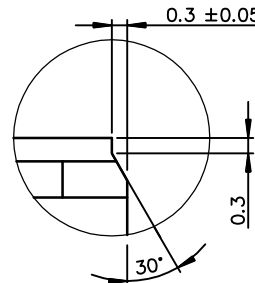
DETAIL-3: MATING SLOTS



DETAIL-1: SOLDER PIN



DETAIL-2: PIP CHAMFER SCALE 10/1



GENERAL CHARACTERISTICS AND ROHS INFORMATIONS:

See PRODUCT SPECIFICATION: GS-12-446

NOTE-1: SPRING PEGS WITH LOW INSERTION FORCE 20 N PER MODULE RETENTION FORCE * 10 N PER MODULE

NOTE-2: ONE HEAT STAKE PEG FOR HDF FIXING

NOTE-3: USE EXISTING CABLE TO BOARD CODING KEYS

NOTE-4: PLATING ON MATING PART, SEE PRODUCT SPEC: GS-12-446

NOTE-5: PRODUCT MARKING = PRODUCT PART NUMBER + FCI+DATE CODE

NOTE-6: TRUE POS CONTROL WITH GRID GAUGE Ø0.65 + WEIGHT 10 N

TRUE POS TOLERANCES ACCORDING TO MOUNTING RANGE = ±0.35 (X AND Y)

NOTE-7: CENTRAL WALL WITH END REAR SUPPORT

NOTE-8: VIDEO REFERENCING ON LISIBLE+ACCURATE SHARP PLASTIC EDGES

LEAD-FREEPART NUMBER	PERFORMANCE LEVEL
10114942-101LF	STANDARD P/N, See Prod. Spec GS-12-446

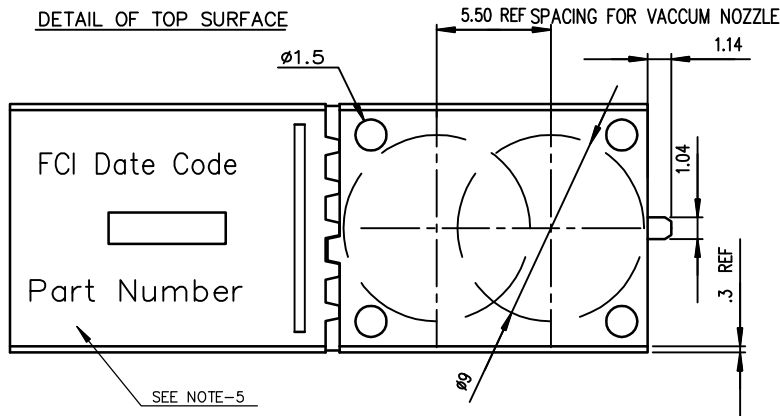
OTHERS INFORMATIONS,SEE SHEET 2/3/4

www.fciconnect.com		surface	ISO 1302	tolerance std	ISO 406 ISO 1101	projection	mm
TOLERANCES UNLESS OTHERWISE SPECIFIED						size	Scale
Dr	Heaven Cen	2010/05/21	ANGULAR	0.X	±0.3	A3	4
Eng	Heaven Cen	2010/05/21	LINEAR	0.XX	±0.13	ECN	
Chr	PM Zheng	2010/05/21	0.XX ±2	0.XXX	±0.051	Spec ref -	
Appr	Joseph Hsia	2010/05/21	Product family		METRAL		
FCI		title		METRAL RA HDR PIP CONVERG		dwg no	
				NB 4X6 - WITH HDF		10114942	
		catalog no				CUSTOMER sheet 1 of 4	
						Rev. A	

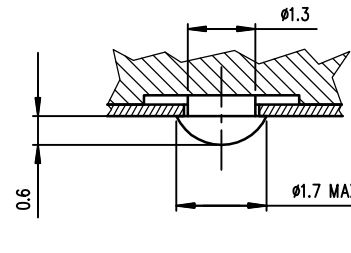


Copyright FCI

1
DETAIL OF TOP SURFACE



2
DETAIL OF CENTRAL HEAT STAKE PEG - SCALE 10/1

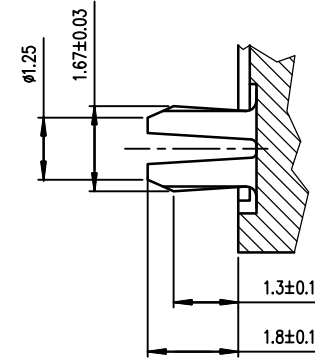
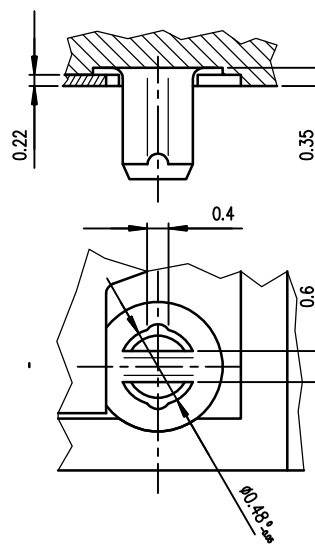
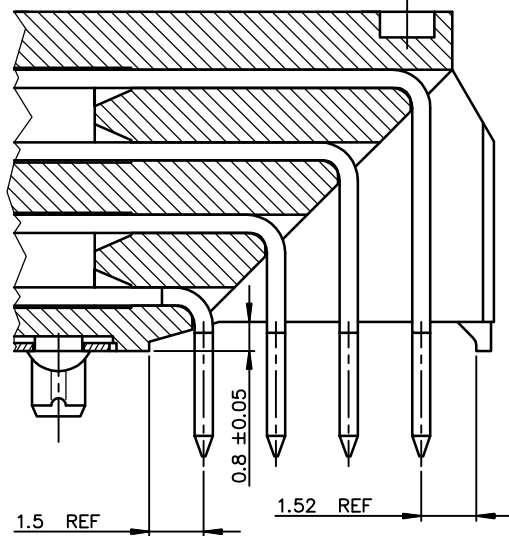


3 4
SPECIFIC DATAS: CONTACT LOADING SEE TABLE-1 & 2

TABLE-2

PART NUMBER	ROW	CONTACT CODE CONFIGURATION					
		1	2	3	4	5	6
10114942-X01LF	D	02	02	02	02	02	02
	C	02	02	02	02	02	02
	B	02	02	02	02	02	02
	A	02	02	02	02	02	02

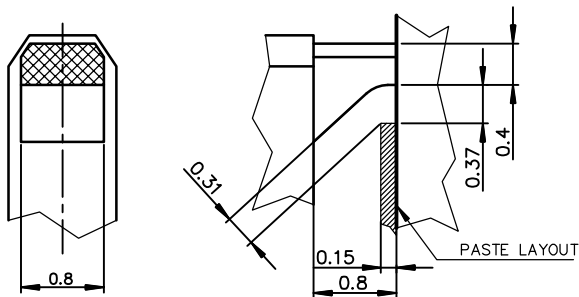
B
DETAIL OF STAND-OFF SCALE-7/1



CONTACT CODE	
DIM-P	
01	5.00
02	5.75
03	6.50
-	NO CONTACT

TABLE-1

C
DETAIL OF REAR SUPPORT SCALE-20/1



D
DETAIL OF RETENTION PEGS (2x) SCALE 10/1

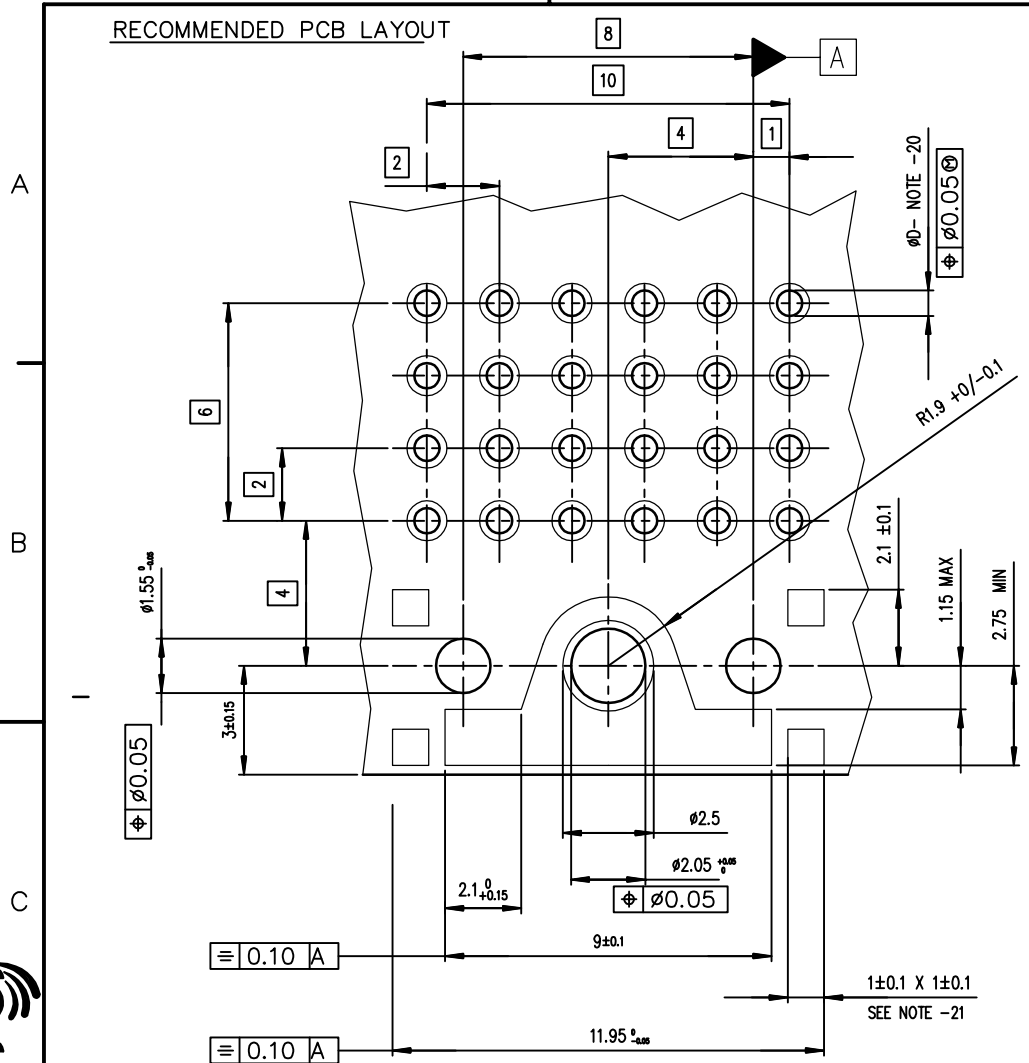
OTHERS INFORMATIONS, SEE DRW 1/-3/-4

www.fciconnect.com		surface	tolerance std	projection	mm
		ISO 1302	ISO 406 ISO 1101		
TOLERANCES UNLESS OTHERWISE SPECIFIED					
Dr	Heaven Cen	2010/05/21	ANGULAR	0.X	±0.3
Eng	Heaven Cen	2010/05/21	LINEAR	0.XX	±0.13
Chr	PM Zheng	2010/05/21	0.XX ± 2	0.XXX	±0.051
Appr	Joseph Hsia	2010/05/21	Product family	METRAL	Spec ref -
			title METRAL RA HDR PIP CONVERG NB 4X6 - WITH HDF		Rev. A
catalog no -			dwg no 10114942		sheet 2 of 4

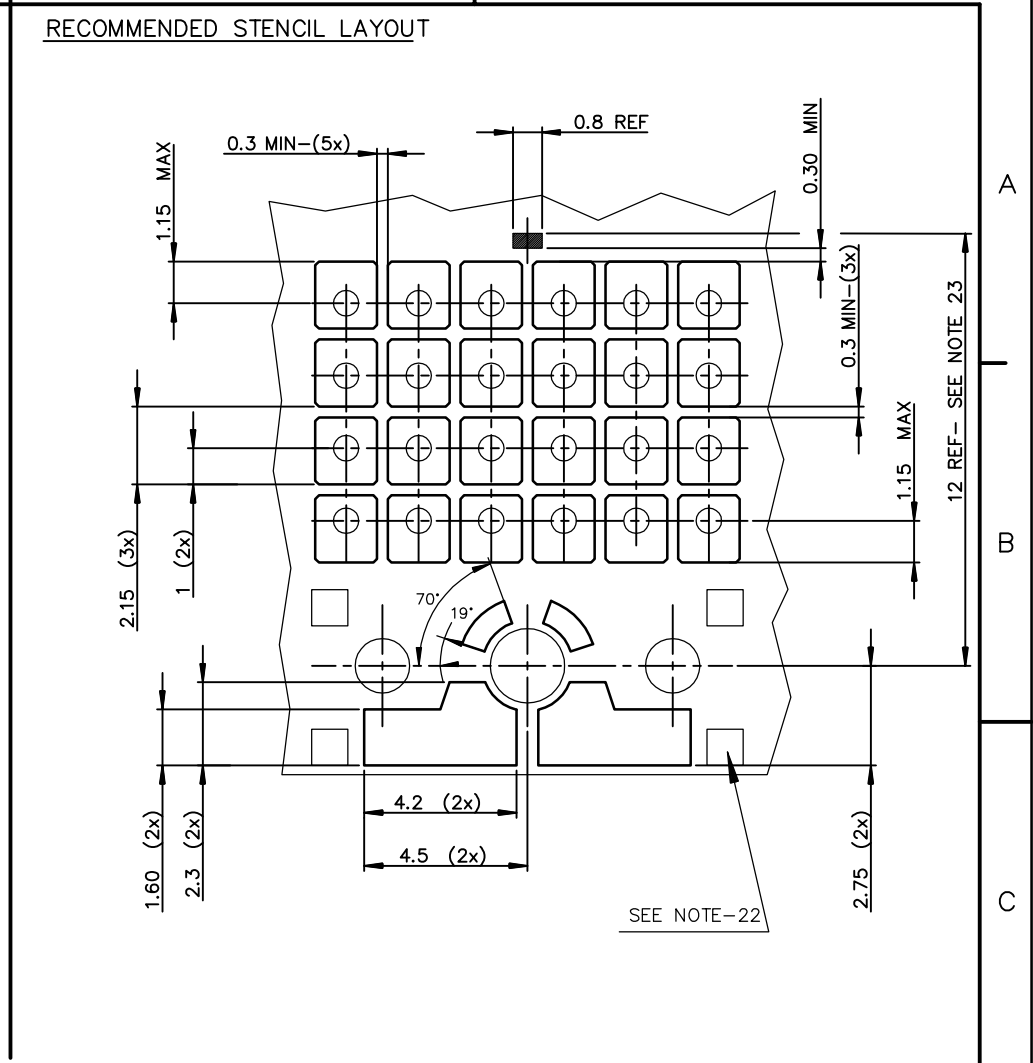


Copyright FCI.

RECOMMENDED PCB LAYOUT



RECOMMENDED STENCIL LAYOUT



- NOTE-20: PTH DIMENSIONS - ϕ
 - DRILL DIAMETER = (0.85 REF) and Plating
 - See Product Spec : GS-12-446
- NOTE-21: 4 SQUARE REFERENCE PADS
- NOTE-22: NO PASTE ALLOWED ON 4 REFERENCE PADS
- NOTE-23: PRODUCT REAR SUPPORT LOCATION
- NOTE-24: RECOMMENDED PASTE THICKNESS = 0.15

OTHERS INFORMATIONS,SEE DRW SHEET 1/2/4

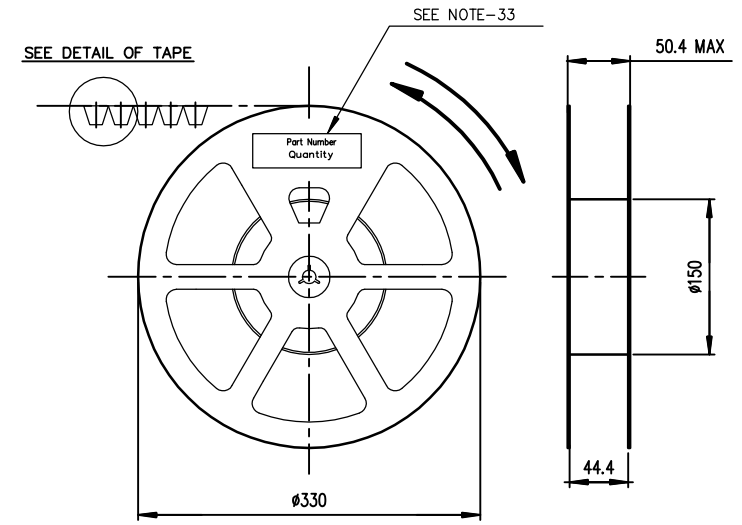
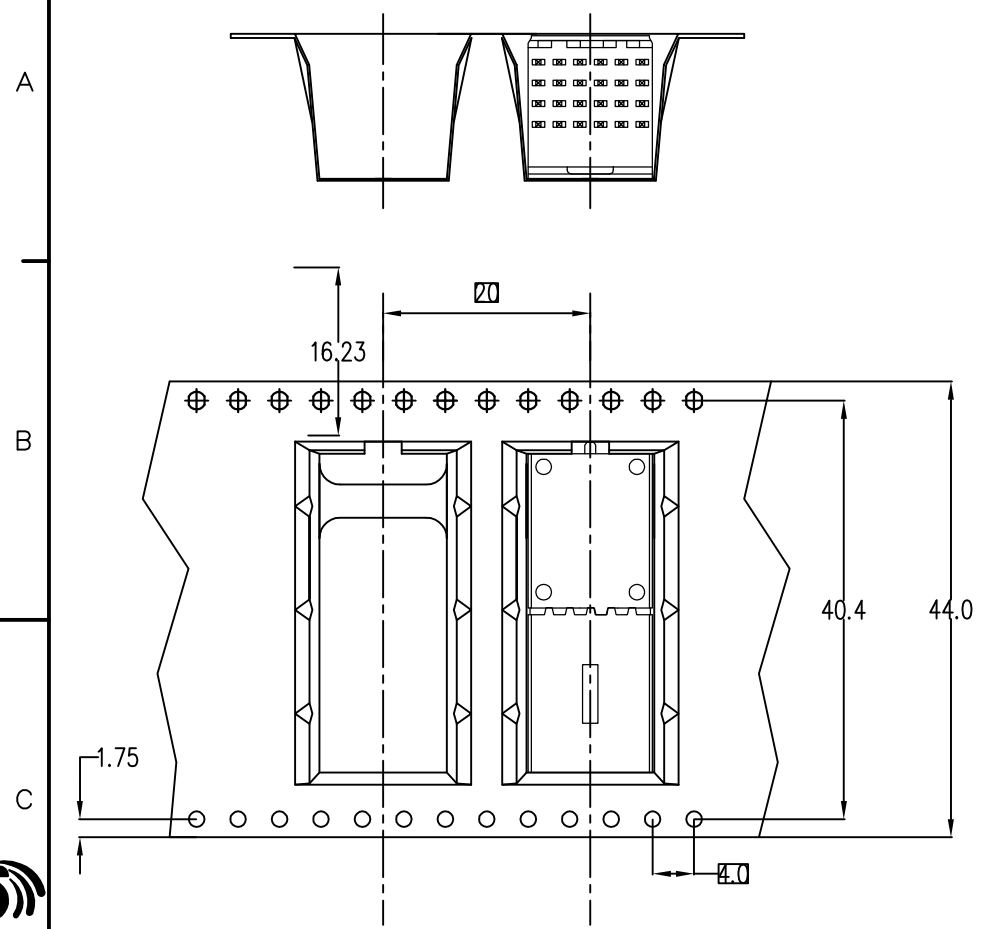
www.fciconnect.com		surface ISO 1302	tolerance std ISO 406 ISO 1101	projection mm
TOLERANCES UNLESS OTHERWISE SPECIFIED				
Dr	Heaven Cen	2010/05/21	ANGULAR	0.X ±0.3
Eng	Heaven Cen	2010/05/21	LINEAR	0.XX ±0.13
Chr	PM Zheng	2010/05/21	0.XX' ±2	0.XXX ±0.051
Appr	Joseph Hsia	2010/05/21	Product family	METRAL
title METRAL RA HDR PIP CONVERG NB 4X6 - WITH HDF			dwg no 10114942	Rev. A
catalog no			CUSTOMER	sheet 3 of 4



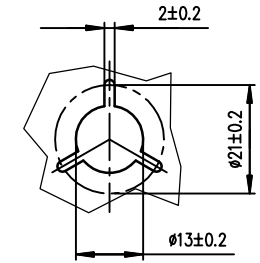
Copyright FCI.

PACKAGING SPECIFICATION

DETAIL OF REEL SCALE 1/5



DETAIL OF REEL HUB SCALE 1/1



- NOTE-30: REF SPECIFICATION: EIA-481-B
- NOTE-31: TAPE MATERIAL: PVC ANTISTATIC
SURFACE RESISTIVITY 10^{12} OHMS/SQUARE AFTER HEAT FORMING
CARRIER P/N: 10097632-006 COVER TAPE P/N:10097632-007
- NOTE-32: PACKAGING QTY: PACKAGING MATERIAL DETAIL INFORMATION PLEASE REFER TO DRAWING OF 10097632
- QTY PER REEL(P/N:10097632-005) = 120 PCS
- QTY PER BOX (P/N:10097632-004) = 6 REELS = 720 PCS
- NOTE-33: LABEL FOR IDENTIFICATION: PART NUMBER,DATE-CODE,TRACABILITY INFORMATIONS
- NOTE-34: RECYCLABLE MATERIAL FOR REEL + ANTISTATIC TREATMENT

OTHERS INFORMATIONS,SEE DRW 58360 SHEET 1/2/3

European Views

www.fciconnect.com		surface ISO 1302	tolerance std ISO 406 ISO 1101	projection mm
TOLERANCES UNLESS OTHERWISE SPECIFIED				
Dr	Heaven Cen	2010/05/21	ANGULAR	0.X ± 0.3
Eng	Heaven Cen	2010/05/21	LINEAR	0.XX ± 0.13
Chr	PM Zheng	2010/05/21	0.XX* ± 2	0.XXX ± 0.051
Appr	Joseph Hsia	2010/05/21	Product family	METRAL
size				A3
Scale				2
ECN				
Spec ref				-
title		METRAL RA HDR PIP CONVERG		Rev.
NB 4X6 - WITH HDF		dwg no		10114942
catalog no		-		CUSTOMER sheet 4 of 4



Copyright FCI.