

NOTES:

1. METAL SHELLS: STEEL; min. 315µm TIN over 40-80µm NICKEL
2. INSULATORS: PBT GF UL 94 V-0; BLACK
3. CONTACTS: COPPER ALLOY; PLATING (SEE PART NO):
 - PLEASE ADD A for GOLD FLASH over NICKEL (PREFERRED TYPE)
 - PLEASE ADD B for 20µm HARD GOLD over min. 50µm NICKEL
 - PLEASE ADD C for 30µm HARD GOLD over min. 50µm NICKEL
4. MOUNTING BRACKET: PBT GF UL 94 V-0; BLACK
5. THREADED LOCKS: COPPER ALLOY; min. 200µm TIN over 80µm NICKEL
6. GROUNDING CLIPS: COPPER ALLOY; min. 200µm TIN over 80µm NICKEL
PCB-HOLE: Ø3.1±0.1; PCB THICKNESS 1.6mm
7. P.C.B. HOLE DRILLINGS ON SHEET 2
8. MAXIMUM TORQUE VALUE FOR THREAD: 6 in.LB
9. CONNECTOR IS PART MARKED: 164□13119X CONEC ABC

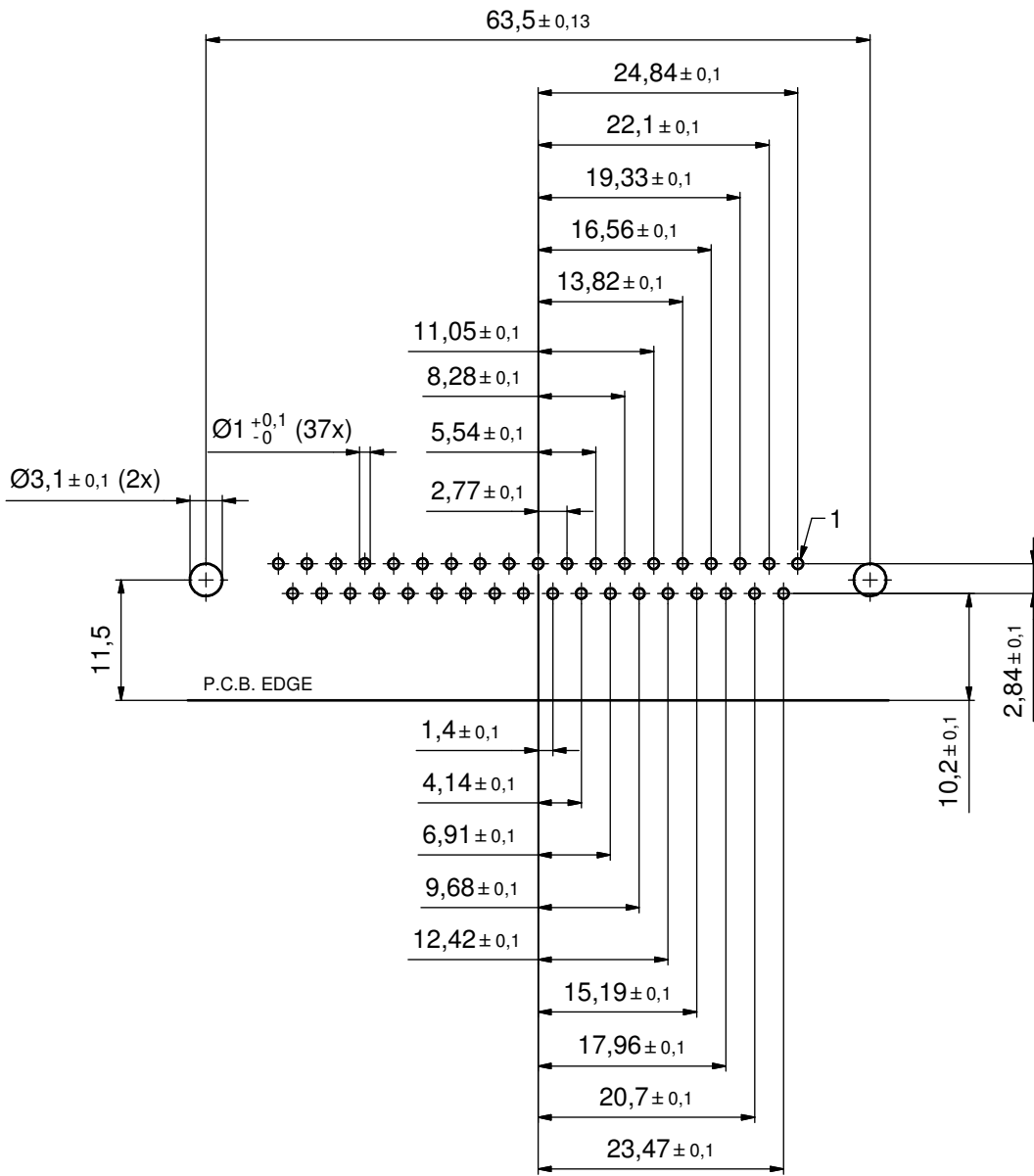
Directive 2002/95/EC RoHS compliant

THIS DRAWING MAY NOT BE COPIED OR REPRODUCED IN ANY WAY, AND MAY NOT BE PASSED ON TO A THIRD PARTY WITHOUT WRITTEN PERMISSION. OWNERSHIP AND COPYRIGHT OF CONEC GmbH DO NOT ALTER CAD DRAWING BY HAND	tolerance		dim. in mm		scale: 2:1 (5:1)	
					material: SEE NOTES	
			date	name		title: D-SUB FEMALE 90° 37pos. SOLDER PIN ANGLED 0.370inch threaded lock, mounting bracket, grounding clip
			drawn 11.07.14	Henneboel		
		appd. 18.07.14	Lehmenkühler		dwg no: (b) 16K1A3483	
		norm				
		d-old 16K1IGLA/16K1A1148			DIN-A3	
4 x b	A5273	11.07.2014	K.H.		sh: 1/2	
a	Original					
rev.	description	date	name		part no: (b) 164□13119X (see note 3)	



P.C.B. HOLE DRILLINGS

(P.C.B. TOP SIDE)



THIS DRAWING MAY NOT BE COPIED OR REPRODUCED IN ANY WAY, AND MAY NOT BE PASSED ON TO A THIRD PARTY WITHOUT WRITTEN PERMISSION. OWNERSHIP AND COPYRIGHT OF CONEC GmbH DO NOT ALTER CAD DRAWING BY HAND				tolerance		scale: 2:1
				dim. in mm		material: SEE SHEET 1
	drawn	11.07.14	Henneboel	title:		
	appd.	11.07.14	Lehmenkühler	P.C.B. HOLE DRILLINGS		
	norm			D-SUB FEMALE 90° 37pos. 0.370inch		
	d-old			threaded lock,mounting bracket,grounding clip		
	rev.	a	Original	dwg no:		DIN-A3
	description			16K1A3483		sh: 2/2
	date			part no: SEE SHEET 1		
	name					

