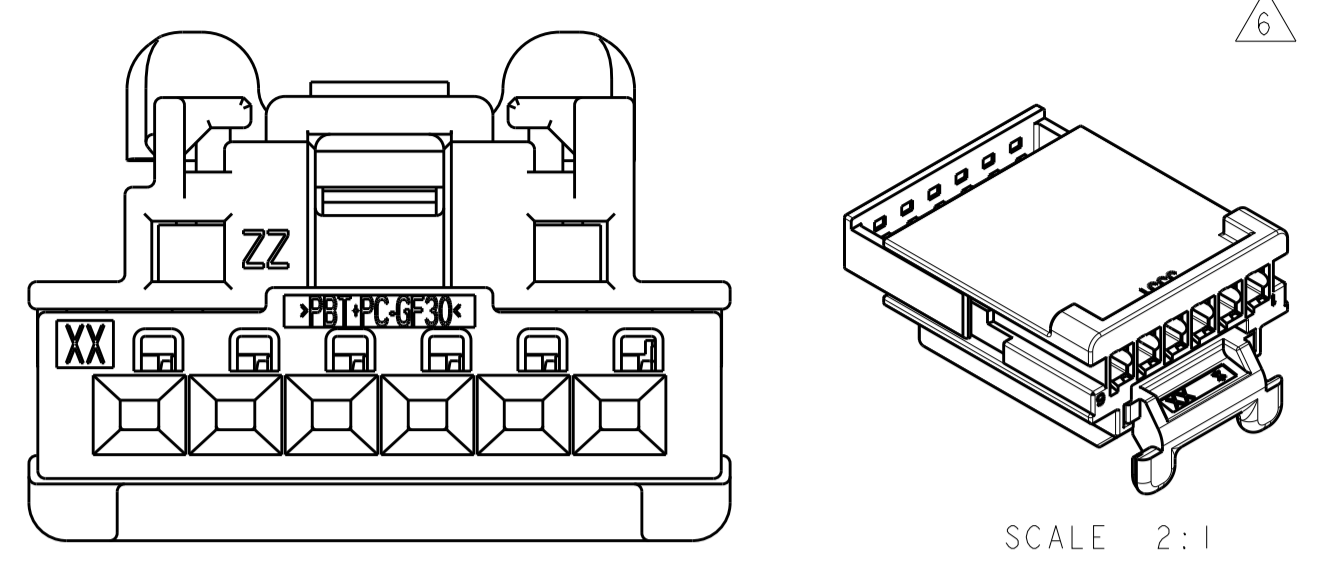


REVISIONS				
P.	LTN.	DESCRIPTION	DATE	OWN. APVD.
B		REVISED PER ECO-12-013707	25JUL2012	DD RL
B1		REVISED PER ECO-15-011565	21AUG2015	DLD DCM

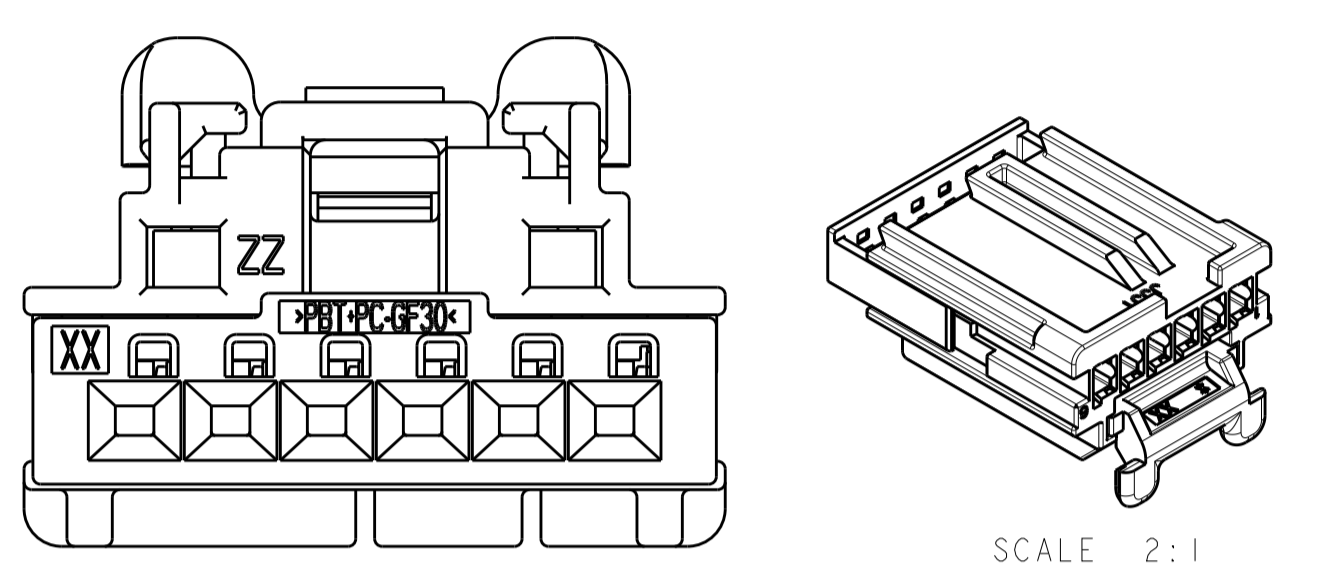
KEYING OPTIONS (SHOWN WITH CPA)

KEYING OPTION: B



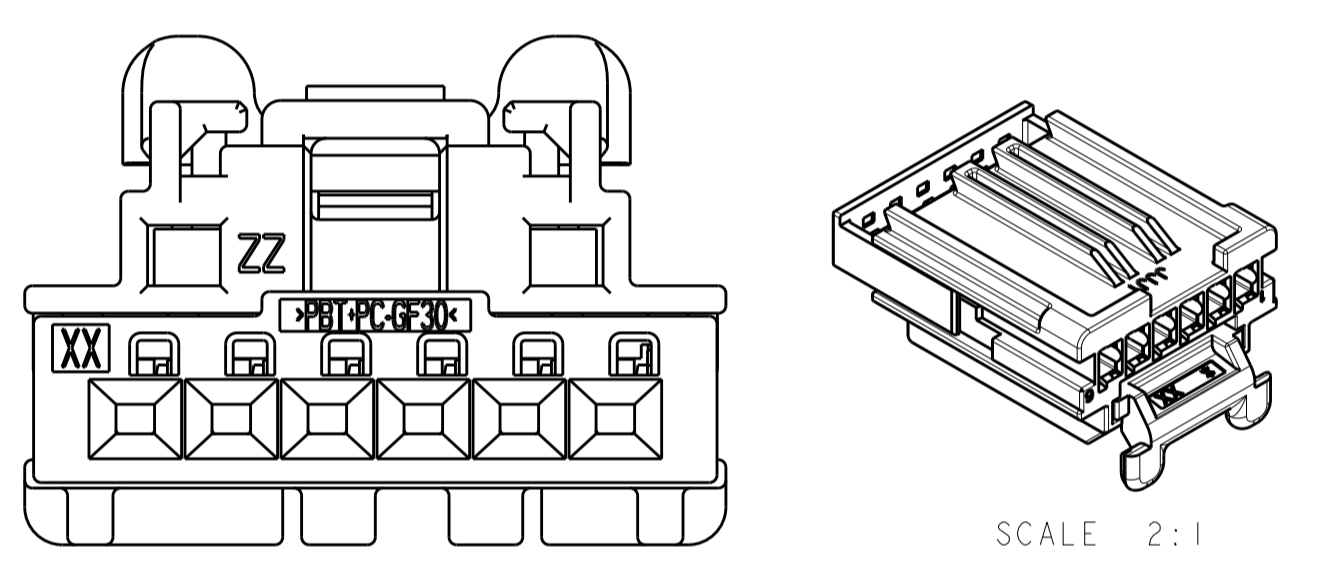
SCALE 2:1

KEYING OPTION: C



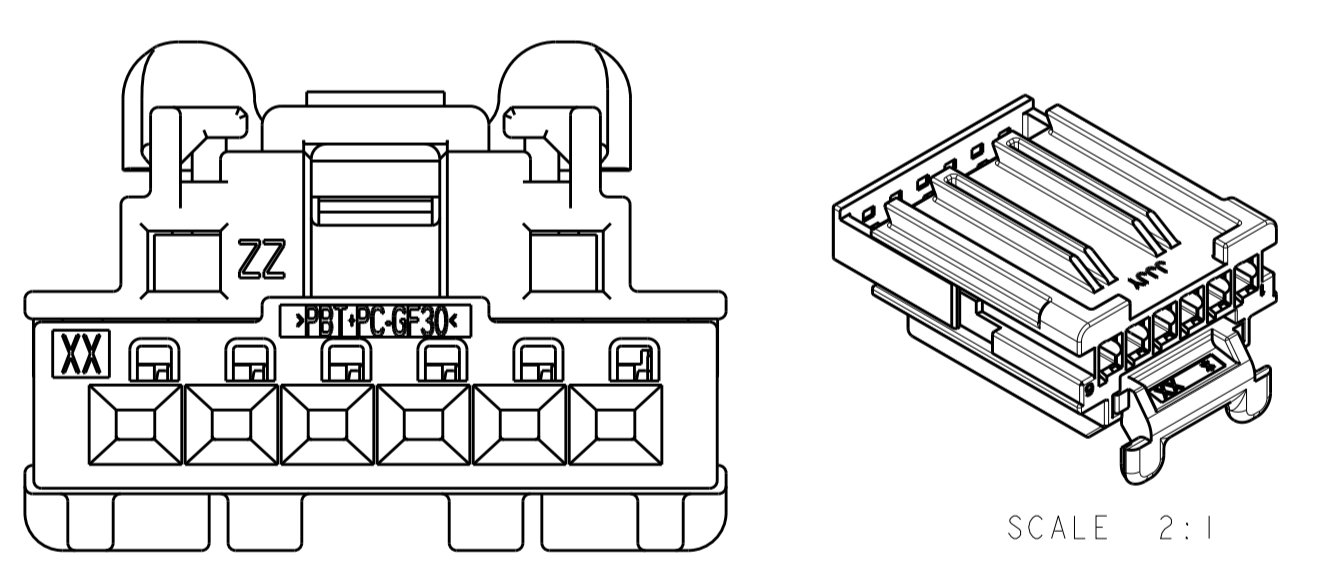
SCALE 2:1

KEYING OPTION: D



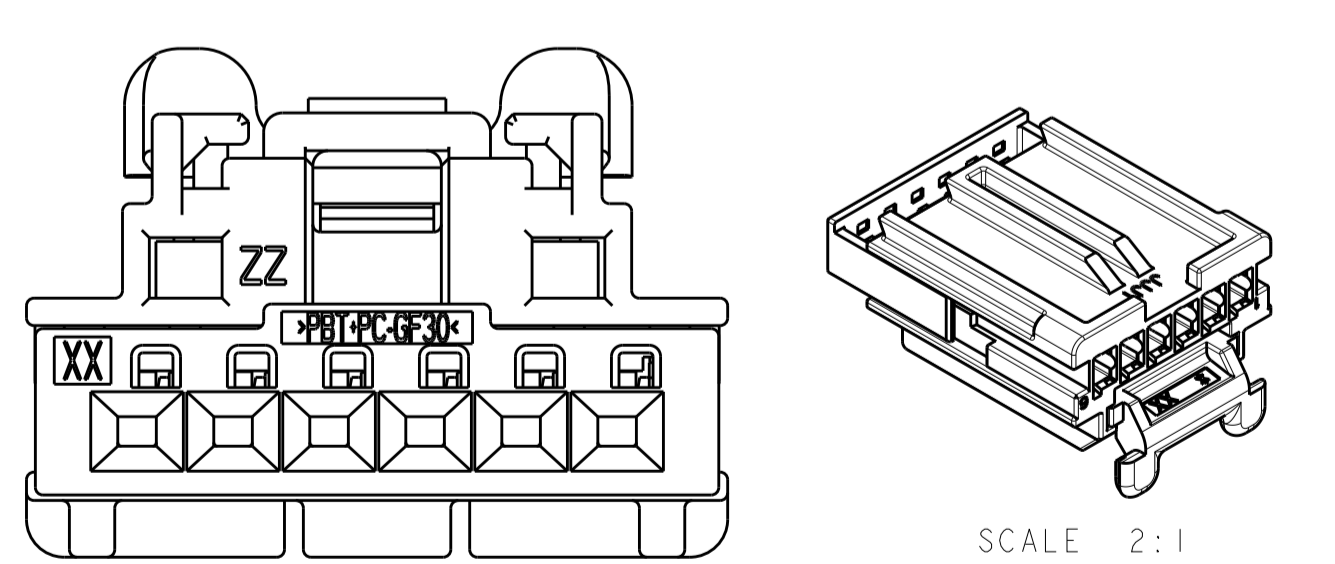
SCALE 2:1

KEYING OPTION: E

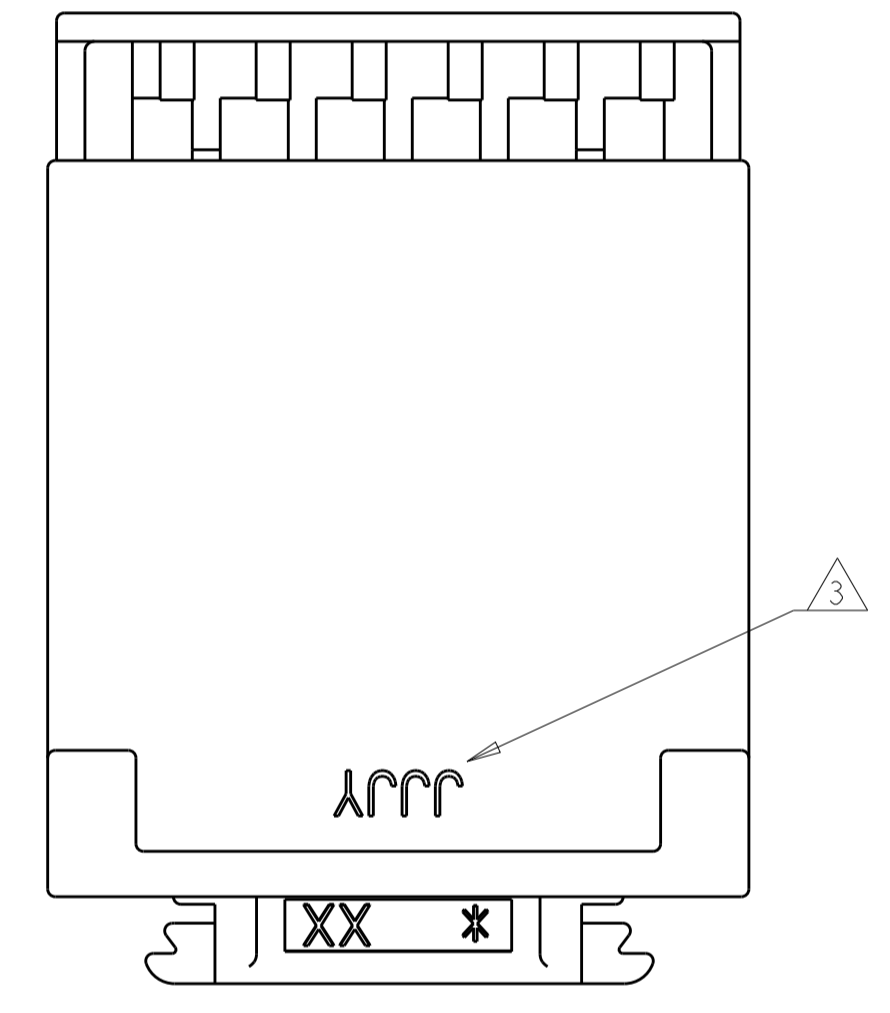
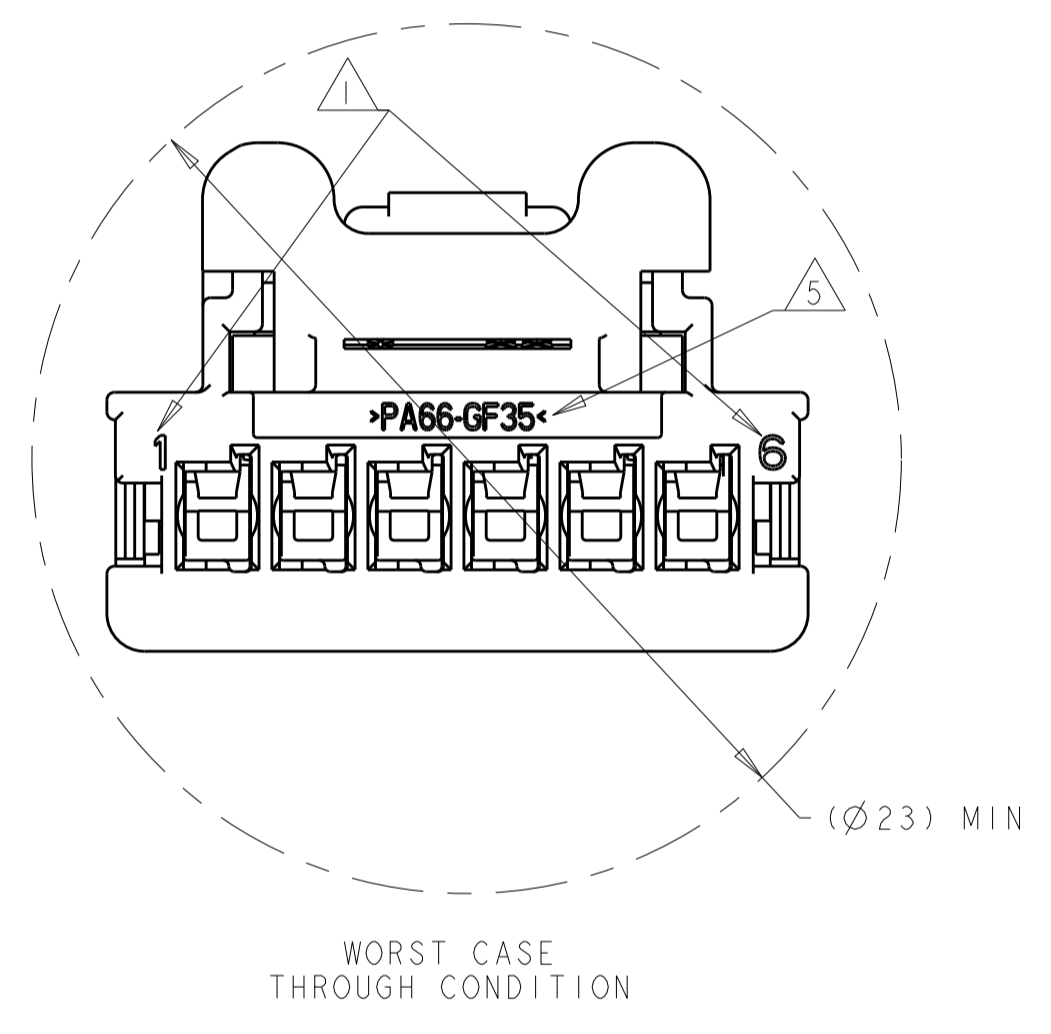
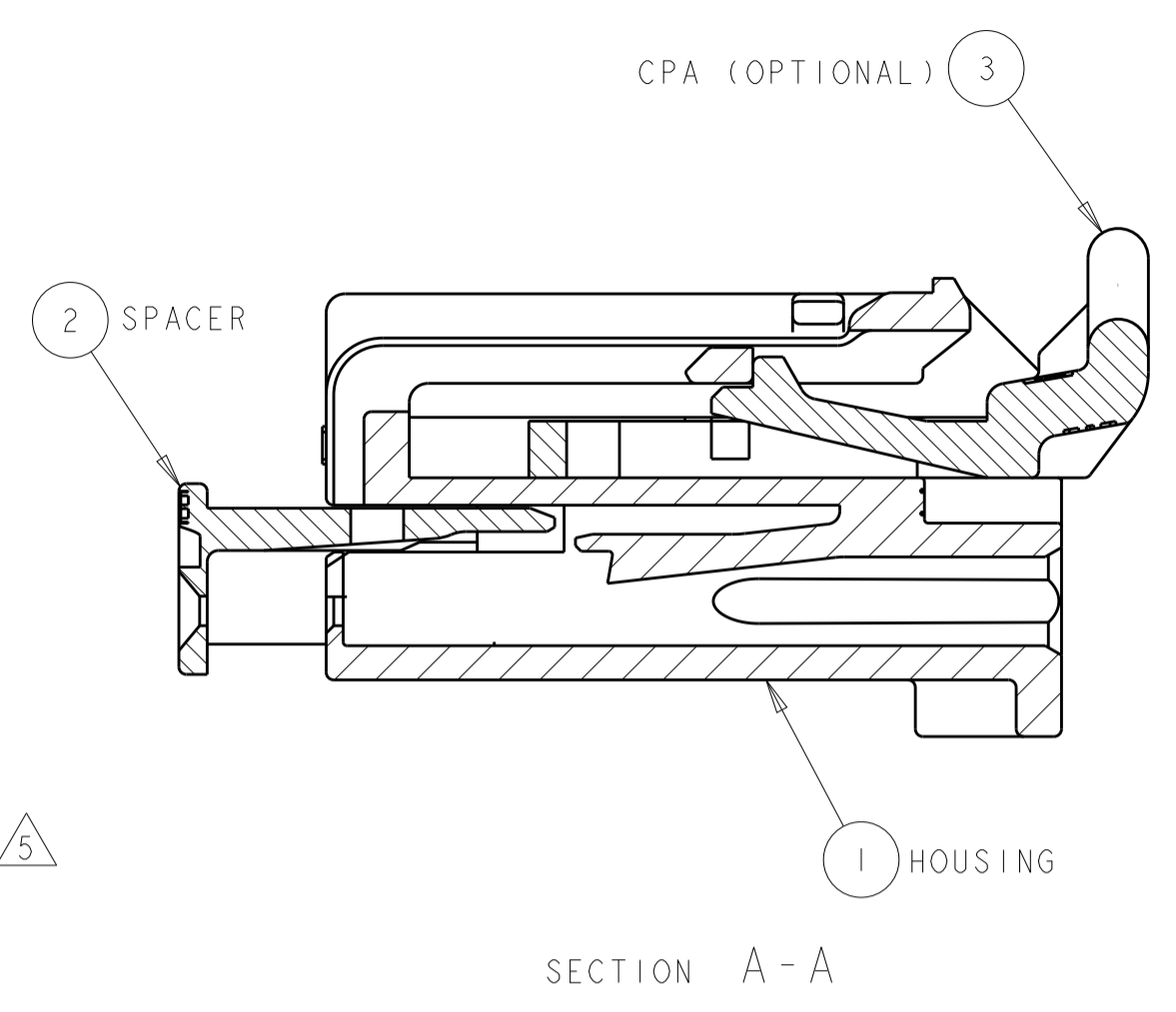
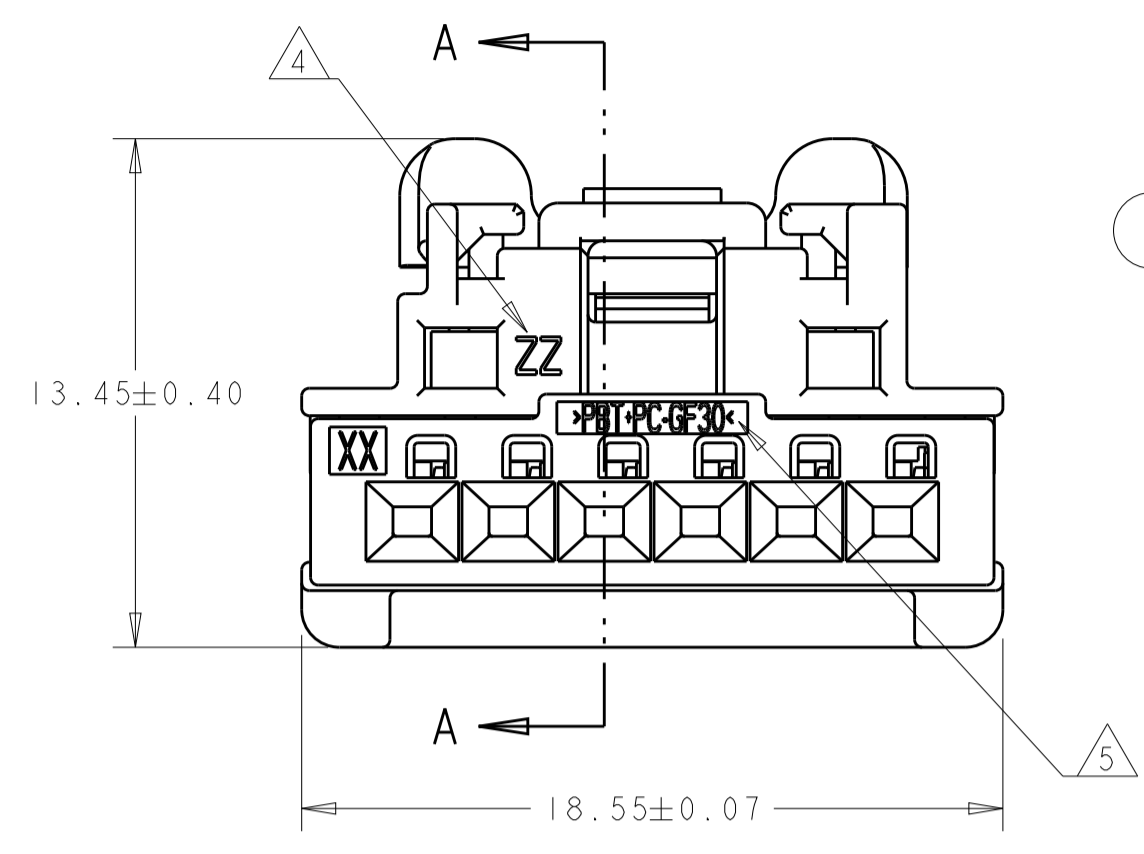
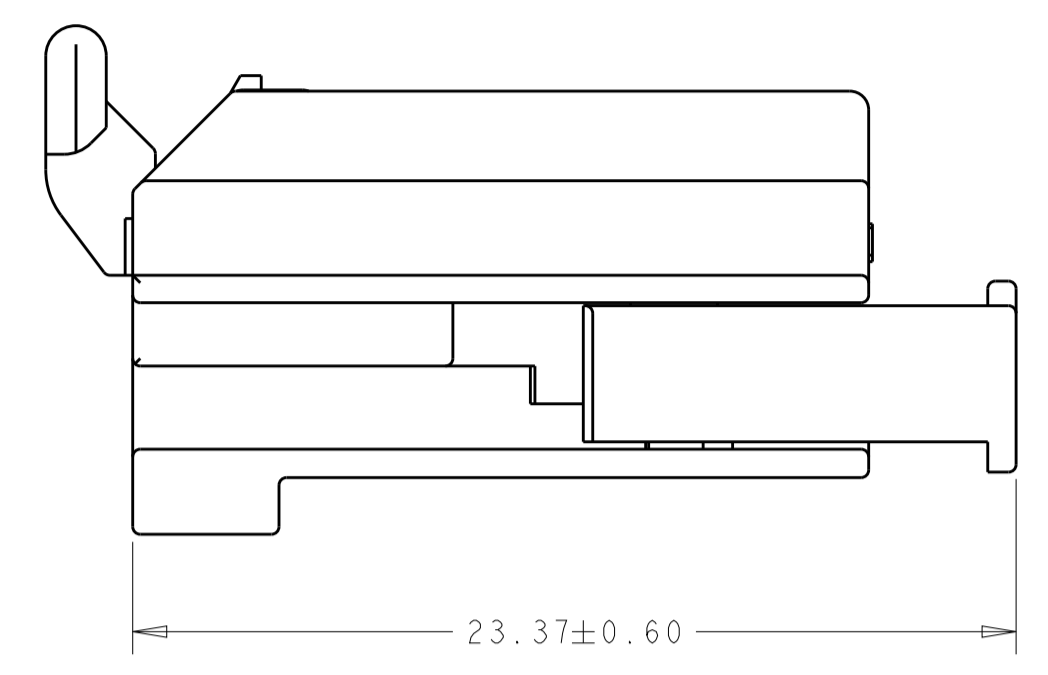


SCALE 2:1

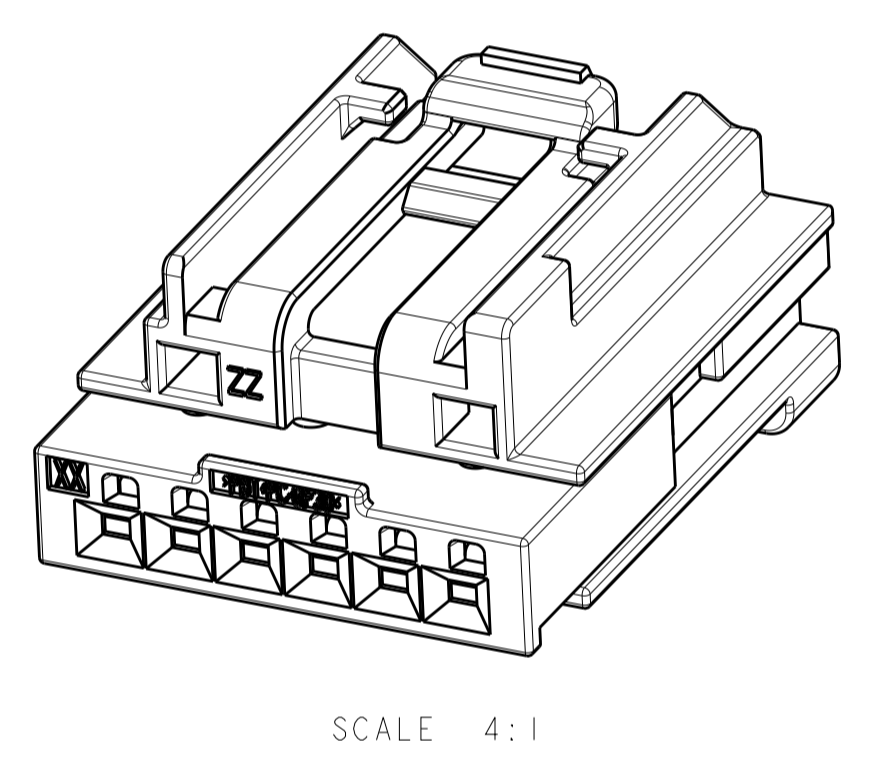
KEYING OPTION: F



SCALE 2:1



- △ CIRCUIT IDENTIFICATION NUMBERS LOCATED AS SHOWN.
- 2. SPACER AND CPA (OPTIONAL) ARE SHIPPED IN PRE-ASSEMBLED POSITION.
- △ DATE CODE; FORMAT: JJJ = JULIAN DAY; Y = YEAR (4TH DIGIT).
- △ MOLD CAVITY IDENTIFICATION.
- △ MATERIAL IDENTIFICATION.
- △ KEYING OPTION B NOT PREFERRED FOR NEW APPLICATIONS.
- 7. PACKAGING: CONNECTOR ASSEMBLIES BULK PACKED IN CARDBOARD BOXES.



PARTS LIST									
←----- ASSEMBLY PN									
QTY REQ'D PER ASSY	REV	DESCRIPTION	MATERIAL	COLOR	ITEM NO	REVISION OF EACH ASSY NO (WHEN BLANK, USE DWG REVISION)			
						WEIGHT OF EACH ASSY NO (g)			
1-2035363-0		CPA	>PBT-GF15<	RED	3				
1-2035363-9		SPACER	>PBT+PC-GF30<	RED	2				
1-2035363-8		HOUSING; KEY F	>PA66-GF35<	BLACK	1				
1-2035363-7		HOUSING; KEY E	>PA66-GF35<	BLACK	1				
1-2035363-6		HOUSING; KEY D	>PA66-GF35<	BLACK	1				
1-2035363-5		HOUSING; KEY C	>PA66-GF35<	BLACK	1				
1-2035363-4		HOUSING; KEY B	>PA66-GF35<	BLACK	1				
1-2035363-3		HOUSING; KEY A	>PA66-GF35<	BLACK	1				
1-2035363-2		HOUSING; KEY B	>PA66-GF35<	BLACK	1				
1-2035363-1		HOUSING; KEY A	>PA66-GF35<	BLACK	1				

THIS DRAWING IS A CONTROLLED DOCUMENT. DWG: D. DRUMMOND, 20APR2012. CHK: C. MARTIN, 20APR2012. APVD: C. MARTIN, 20APR2012.

STE TE Connectivity

FEMALE ASSEMBLY, 6 POSITION (1X6), UNSEALED, GENERATION Y

SIZE: A1 00779 C=2035363

SCALE: 5:1 SHEET 1 OF 1 REV: B1