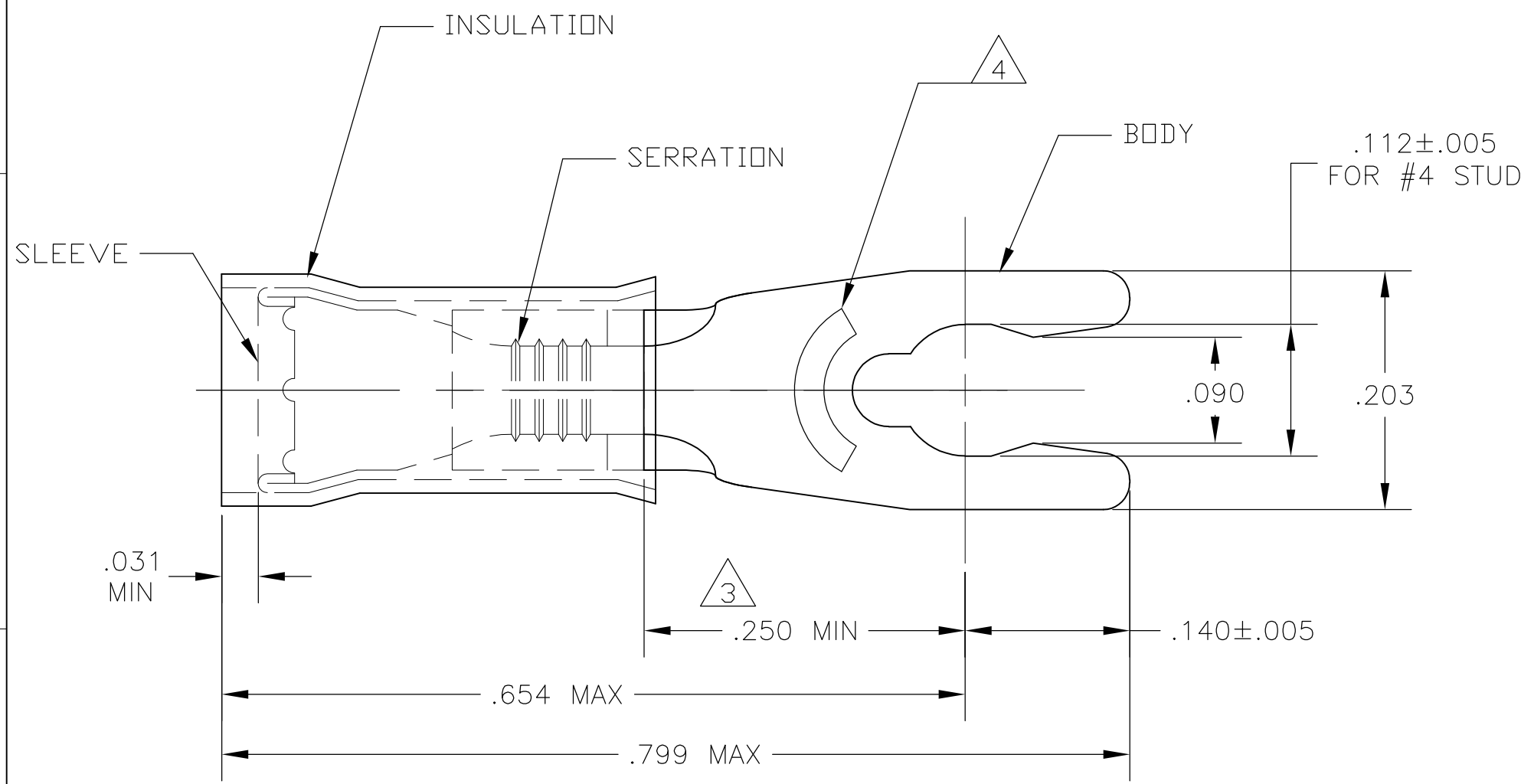


THIS DRAWING IS UNPUBLISHED. RELEASED FOR PUBLICATION
 © COPYRIGHT - By - ALL RIGHTS RESERVED.

LOC	DIST	REVISIONS					
G	14	P	LTR	DESCRIPTION	DATE	DWN	APVD
		E1		REVISED PER ECO-11-004917	11MAR11	RK	HMR



- 1 FOR .080-.125 WIRE INSULATION DIA
- 2 TONGUE MATERIAL THK = .031±.002
- △3 APPLIES FROM THE METAL EDGE OF THE BARREL TO THE CENTER OF THE STUD
- △4 MARKING 22-18 FOR MILITARY, COMMERCIAL RANGE 22-16

100	LOOSE PIECE, BOX	BODY: PHOS BRONZE PER ASTM-B103 TIN PLATE PER ASTM-B545 SLEEVE: COPPER PER ASTM-B152 INSULATION: NYLON PER ASTM-D4066 TYPE 1, COLOR: RED	8-52927-1
5,000	52927 ON TAPE		52927-1
1	WIRE TERMINAL		52927
QTY	DESCRIPTION	MATERIAL & FINISH	PART NO

THIS DRAWING IS A CONTROLLED DOCUMENT.		DWN jr_ruth 09MAR10	STE TE Connectivity													
DIMENSIONS: INCHES		CHK TOM MICHIELUTTI 09MAR10														
TOLERANCES UNLESS OTHERWISE SPECIFIED:		APVD TOM MICHIELUTTI 09MAR10	NAME WIRE TERMINAL, PIDG, SPRING SPADE WIRE SIZE: 22-16													
<table border="0"> <tr><td>0 PLC</td><td>± -</td></tr> <tr><td>1 PLC</td><td>± -</td></tr> <tr><td>2 PLC</td><td>± .008</td></tr> <tr><td>3 PLC</td><td>± -</td></tr> <tr><td>4 PLC</td><td>± -</td></tr> <tr><td>ANGLES</td><td>± 5°</td></tr> </table>		0 PLC	± -	1 PLC	± -	2 PLC	± .008	3 PLC	± -	4 PLC	± -	ANGLES	± 5°	PRODUCT SPEC -	SIZE A3	
0 PLC	± -															
1 PLC	± -															
2 PLC	± .008															
3 PLC	± -															
4 PLC	± -															
ANGLES	± 5°															
MATERIAL SEE TABLE		APPLICATION SPEC -	CAGE CODE 00779	DRAWING NO C-52927												
FINISH SEE TABLE		WEIGHT -	RESTRICTED TO -													
CUSTOMER DRAWING			SCALE 8:1	SHEET 1 OF 1												
			REV E1													