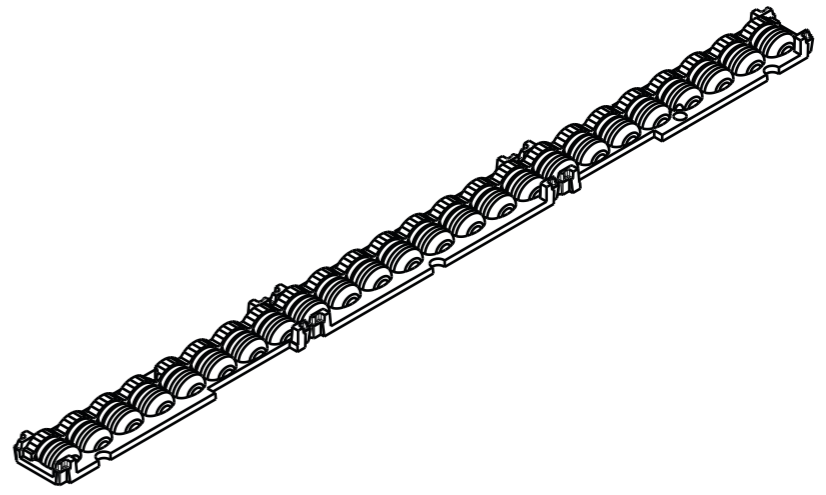
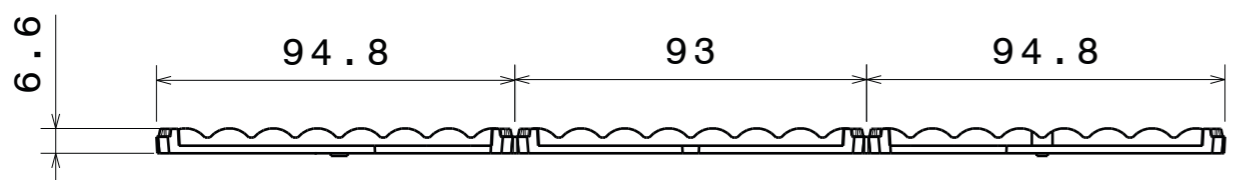
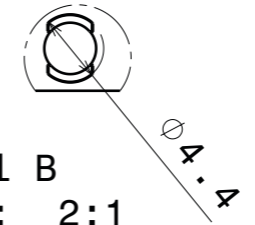
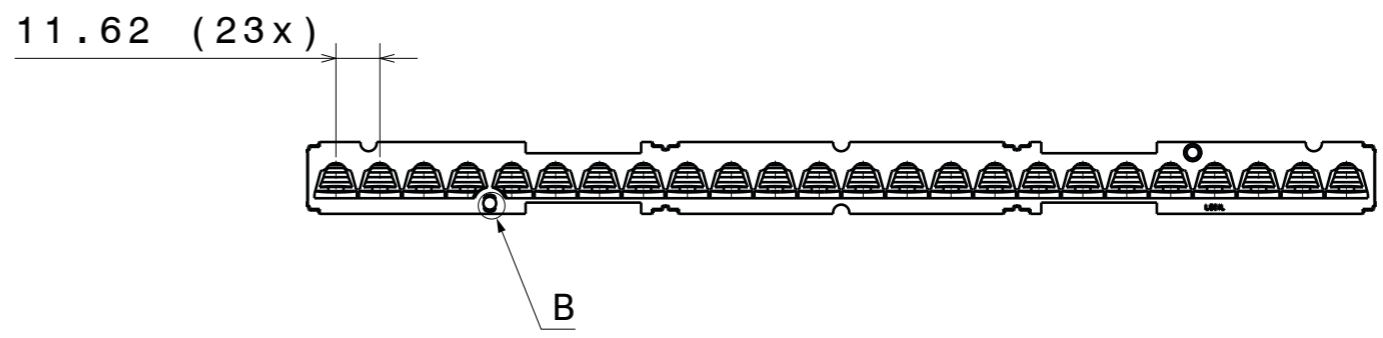
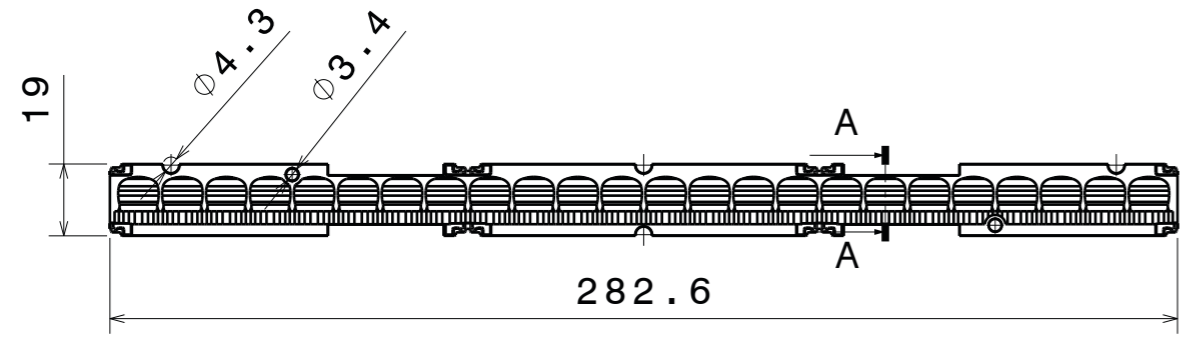


H G F E D C B A

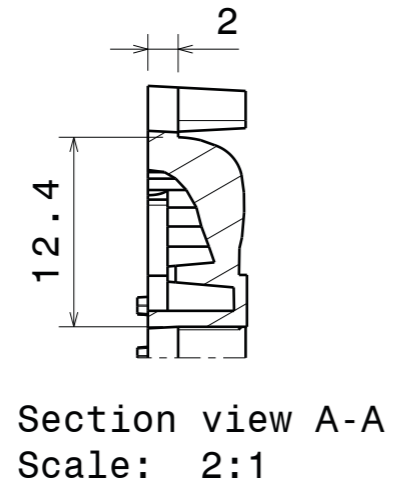


Isometric view
Scale: 1:2



Detail B
Scale: 2:1

NOTE: Maximum recommended tightening torque is 0.6Nm



Section view A-A
Scale: 2:1

INDEX	PART NO	DESCRIPTION	MATERIAL	COLOUR
1	F15685	F15685_FLORENCE-1R-GC-ZT25	PMMA 8N	

<p>Tolerances if not otherwise shown According to DIN ISO 2768-1 Linear measures: Up to 30mm class F_M, otherwise see class MC. According to DIN ISO 2768-2 Form and position: class K Control for SPC marked dimensions.</p>	<p>LEDiL LediL Oy Salorankatu 10 FIN 24240 SALO Finland</p>		
	<p>THIRD ANGLE PROJECTION: </p> <p>DRAWING TITLE F15685_FLORENCE-1R-GC-ZT25</p>		
<p>This drawing is the property of LEDiL Oy. It may not be reproduced, copied or communicated without a written agreement with LEDiL Oy.</p>	<p>SIZE A3</p>	<p>PART NUMBER F15685</p>	
	<p>SCALE 1:2</p>	<p>WEIGHT 16,9</p>	<p>SHEET 1/1</p>

H G B A